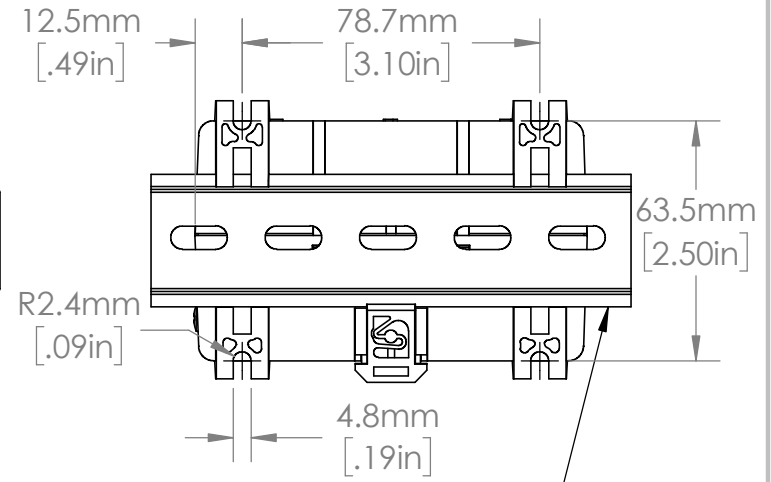
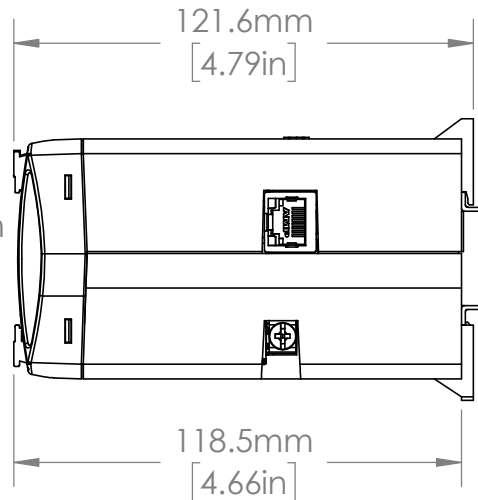
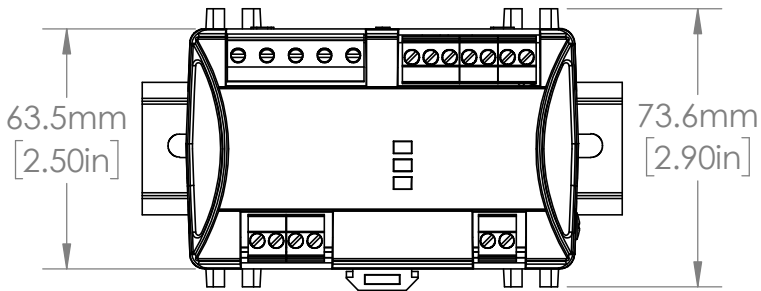
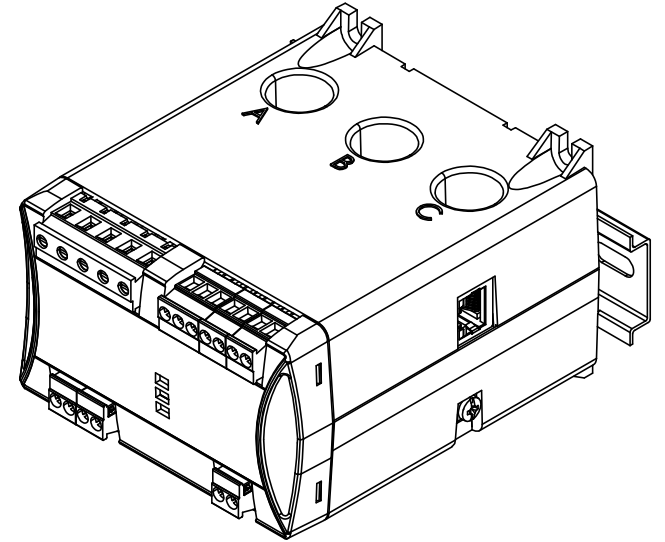
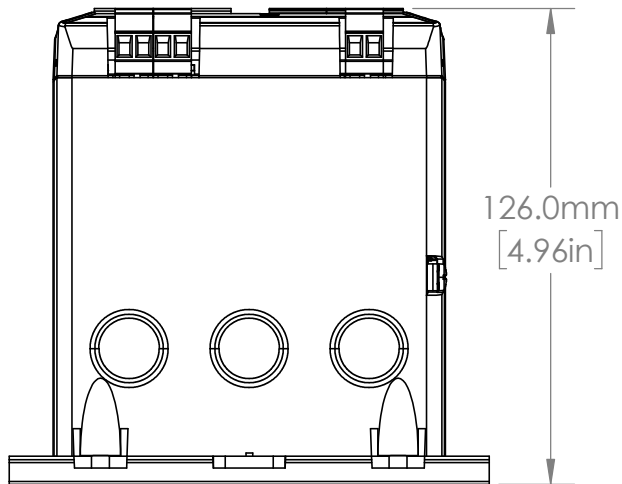


R8.0mm  
[.31in]



EN550022 (35.0 x 7.5 mm)  
DIN RAIL SHOWN



126.0mm  
[4.96in]



DESCRIPTION:  
STANDARD MOTOR PROTECTION

PART NUMBER:  
MP8000 SERIES

REV  
A

WEIGHT:

SHEET 1 OF 1

UNLESS NOTED OTHERWISE  
DIMENSIONS ARE IN INCHES  
TOLERANCES:  
TWO PLACE DECIMAL ±0.01  
NOT DRAWN TO SCALE



MATERIAL		
NAME	DATE	
DRAWN BY J.MOLER	7/28/22	