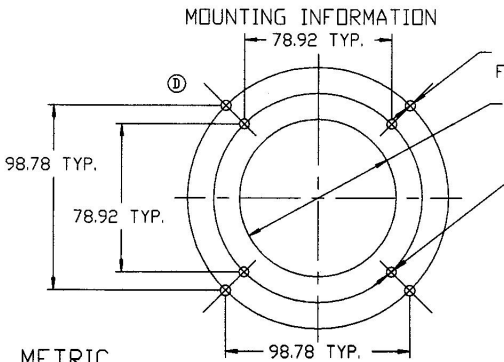
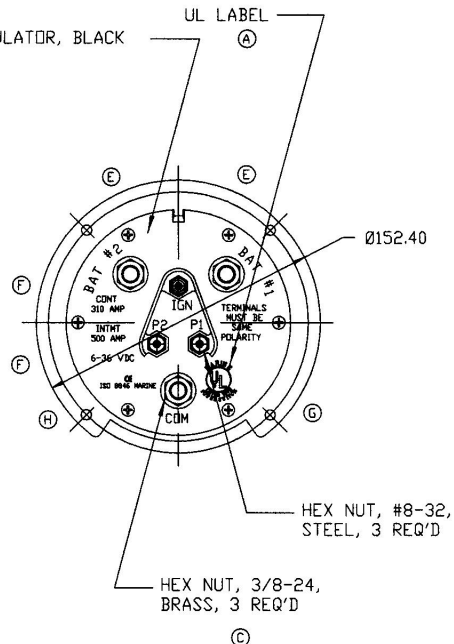
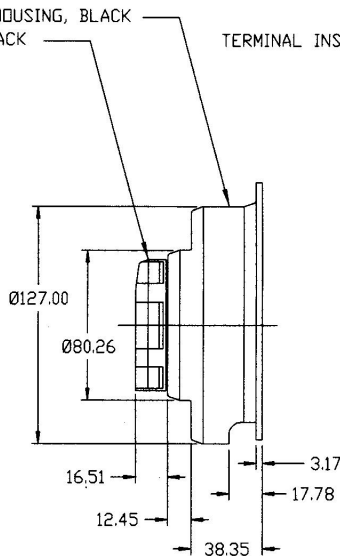
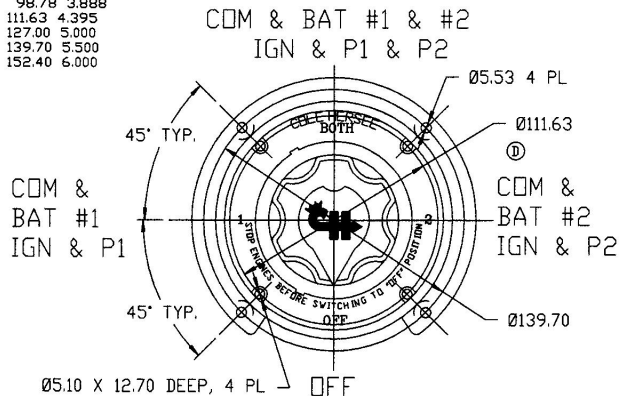


MM	IN
3.17	0.125
5.10	0.201
5.53	0.218
12.45	0.490
12.70	0.500
16.51	0.650
17.78	0.700
38.35	1.510
78.92	3.107
80.26	3.160
84.12	3.312
98.78	3.888
111.63	4.395
127.00	5.000
139.70	5.500
152.40	6.000



SURFACE MOUNTING HOLES Ø5.53 CLEARANCE FOR #10 SCREW 4 PL

CLEARANCE HOLE FOR PANEL MOUNT Ø84.12

PANEL MOUNTING HOLES Ø5.10 X 12.70 DEEP FOR 1/4" THREAD CUTTING SCREW 4PL

Confidential Property of Cole Hersee

DO NOT SCALE

LET.	WAS	DATE	BY	LET.	WAS	DATE	BY	MATERIAL	DRAWN	CHK	APVD	SCALE	W750 WITH PILOT LIGHT CKTS/ EX23169D	DATE DRAWN
J	EDH 8484	7/7/88	DPS	D	EDH 8458B ADDED MOUNTING DIMS	4/24/90	RD		DPS			1/2		5/9/89
H	EDH 8430C ADDED CE IMPRINT	12/29/87	JMP	C	BRASS, EDH 8485E	1/9/90	RD	FINISH						DATE BLUEPRINTED
G	EDH 8430B ADDED UL LABEL	1/5/90	RD	B	EDH 8485A	11/15/89	JF							
F	EDH 8448M	8/1/90	RD	A	RELOCATED UL LABEL EDH 8476A	9/18/89	DPS	TOLERANCES DECIMAL ± ANGLE ±						
E	EDH 8447F RELETED STYL LOCATORS	7/28/90	RD		ISSUED									

**CH** Cole Hersee Co.  
20 OLD COLONY AVENUE, BOSTON, MA, U.S.A. 02127  
SW BAT SELECTOR WITH  
PILOT LIGHT CIRCUIT