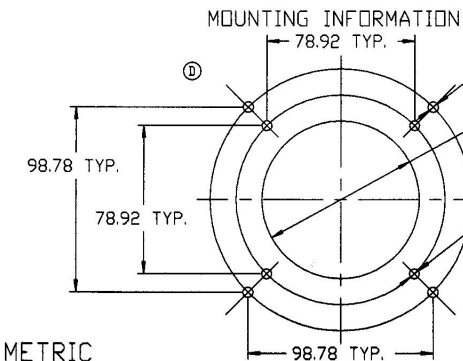
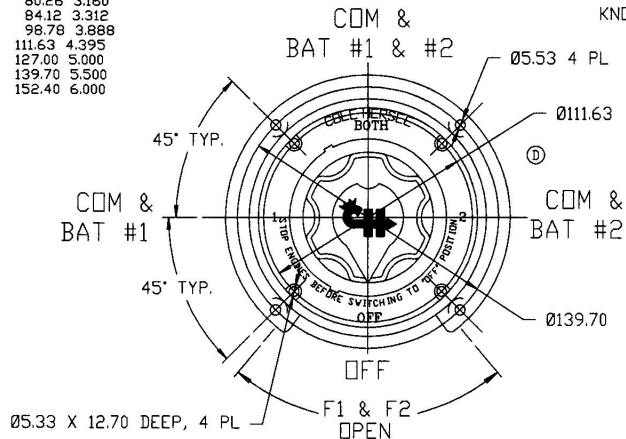


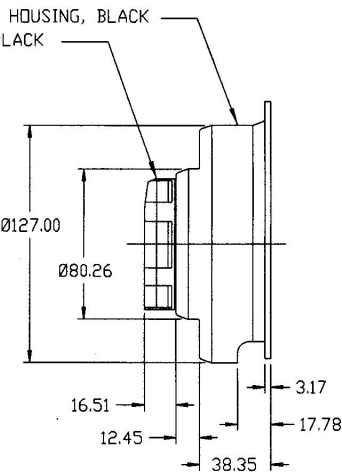
MM	IN
3.17	0.125
5.10	0.201
5.53	0.218
12.45	0.490
12.70	0.500
16.51	0.650
17.78	0.700
38.35	1.510
78.92	3.107
80.26	3.160
84.12	3.312
98.78	3.888
111.63	4.395
127.00	5.000
139.70	5.500
152.40	6.000



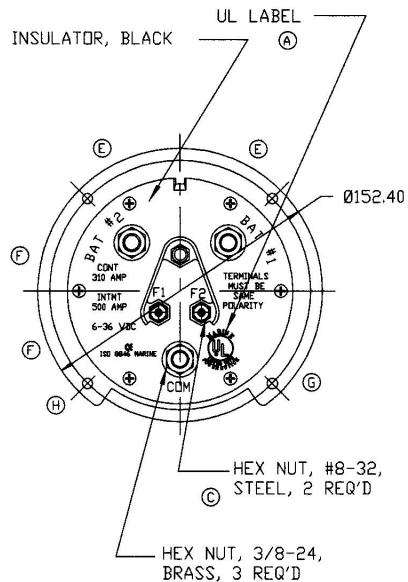
SURFACE MOUNTING HOLES Ø5.53 CLEARANCE FOR #10 SCREW 4 PL

CLEARANCE HOLE FOR PANEL MOUNT Ø84.12

PANEL MOUNTING HOLES Ø5.10 X 12.70 DEEP FOR 1/4" THREAD CUTTING SCREW 4PL



TERMINAL INSULATOR, BLACK



Confidential Property of Cole Hersee

DO NOT SCALE

LET.	WAS	DATE	BY	LET.	WAS	DATE	BY	MATERIAL	DRAWN	CHK	APVD	SCALE	M750 WITH FIELD CKT	DATE DRAWN
J	ECH 24824	7/7/84	DPS	D	ECH 24239 ASSG MOUNTING INFL	4/24/90	RD		DPS			1:2	M750 WITH FIELD CKT EX23169B	5/5/89
H	ECH 24239 ASSG LC IMPRINT	12/29/97	JMP	C	BRASS, ECH 24826	1/2/90	RD	FINISH						DATE BLUEPRINTED
G	ECH 24239 ASSG UL LABEL	5/5/90	RD	B	ECH 24824	11/25/99	JP							
F	ECH 24844	8/1/90	RD	A	MILICATED UL LABEL ECH 24239	9/19/99	DPS	TOLERANCES DECIMAL ± ANGLE ±						
E	ECH 2447 DELETED STUD LOCATORS	7/26/90	RD		ISSUED									

**CH** Cole Hersee Co.  
80 OLD COLONY AVENUE, BOSTON, MA, U.S.A. 02127  
SW BAT SELECTOR WITH  
FIELD CIRCUIT

METRIC