

M712-09

APPLICABLE SAE STANDARD OR
RECOMMENDED PRACTICE SAE J259

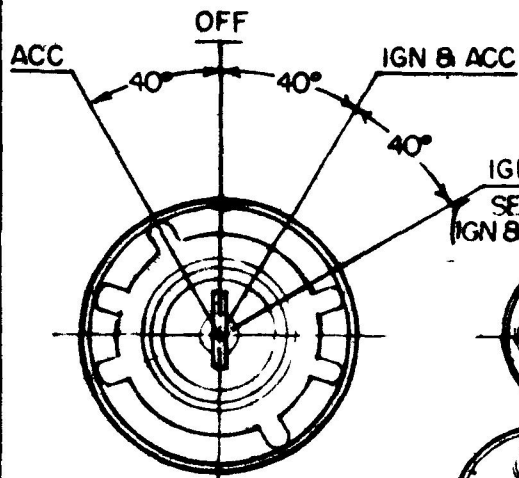
FACE NUT & BOOT SA

ADAPTER WASHER - BRASS, CHROME PLT

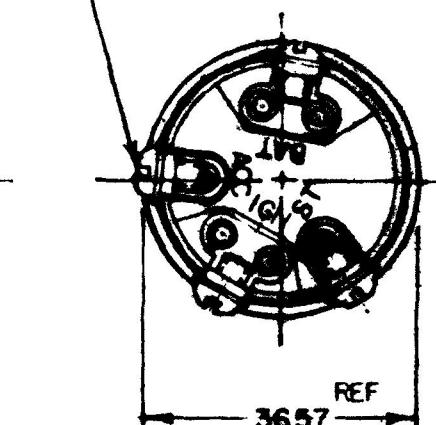
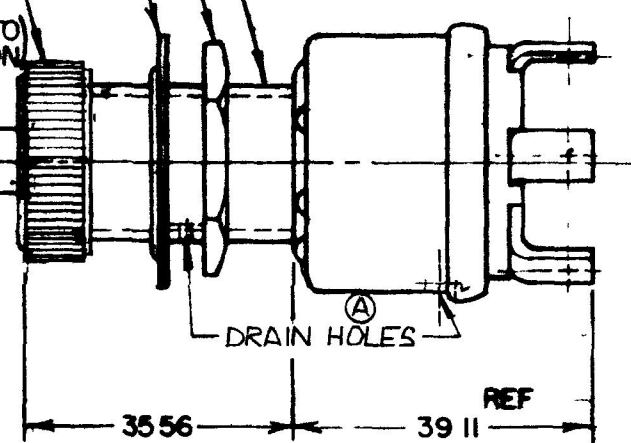
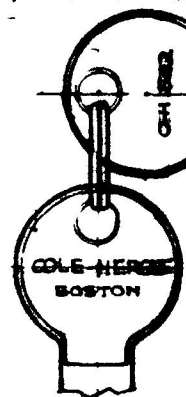
HEX NUT - BRASS

13/16-24UNS-2A THD

SCREW - 8-32 UNC-2A, BRASS,
W/L WASHER -
4 REQ'D (B)



IGN & START
SELF RETURN TO
IGN & ACC POSITION



NOTE

1. ALL EXTERIOR METAL PARTS PLAIN BRASS UNLESS NOTED
2. TUMBLER & KEYS - BRASS, NICKEL PLT (RINGED)
SUPPLIED IN 10 SETS

METRIC

DO NOT SCALE

| LET | WAS | DATE | BY | LET | WAS | DATE | BY | MATERIAL | DRAWN | CHECKED | APPRV D | SCALE | BASIC EXCEPT W/ 83288 KEY BOOT & NUT SA | DATE DRAWN |
|-----|-----|------|----|-----|----------------------|---------|-----|--|-------|---------|---------|-------|---|----------------|
| | | | | | | | | — | RMT | 6-12-79 | | T:1 | | 5-31-79 |
| | | | | B | ECN 23741 | 5-19-88 | JK | | | | | | | DATE BLUEPRINT |
| | | | | A | REV DRAIN HOLE 21032 | 2-22-82 | (B) | TOLERANCES FRACTIONAL ± DECIMAL ±.25 | | | | | | |
| | | | | | ISSUED | 6-12-79 | | | | | | | | |

IGN & START SWITCH
(4 POSITION)

M712-09



NPM 6-6-78
EX-1955

UNIFORCE ELECTRONICS