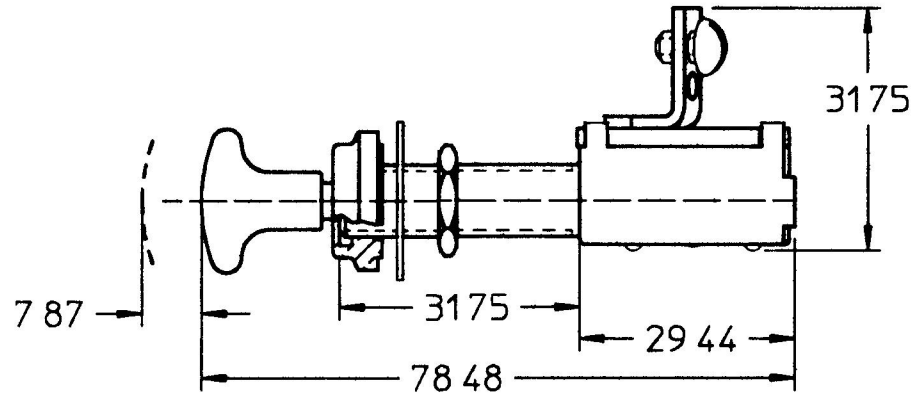
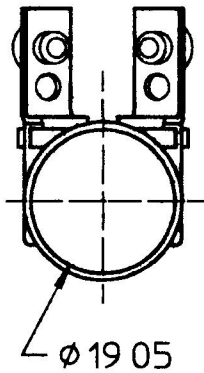
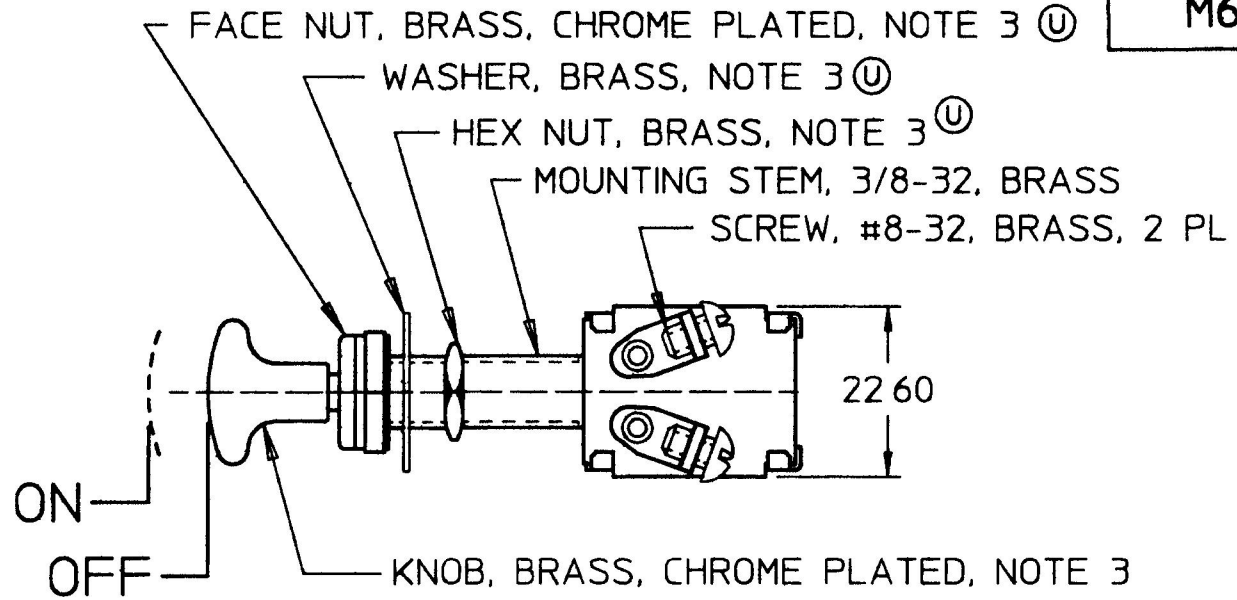


M628

MM	IN
7 87 0	310
19 05 0	750
22 60 0	890
29 44 1	160
31 75 1	250
78 84 3	090



- Ⓢ NOTES
- 1 ALL DIMENSIONS ARE REFERENCE ONLY
  - 2 RATING 10 AMPS @ 12V DC
  - 3 PARTS MAY BE ASSEMBLED OR SUPPLIED IN A PLASTIC BAG **DO NOT SCALE**

METRIC

LET	WAS	DATE	BY	LET	WAS	DATE	BY	MATERIAL	DRAWN	CHK	APVD	SCALE	DATE DRAWN
									PLB	JMP		11	10/30/57
								FINISH	<b>Cole Hersee Co.</b> 20 OLD COLONY AVENUE, BOSTON, MA, U.S.A. 02127			DATE BLUEPRINTED	
				U	ECN #26936	7/29/97	AJS	TOLERANCES	SWITCH, PUSH-PULL			M628	
				T	PUT ON CAD	7/23/96	DPS	DECIMAL ± ANGLE ±					