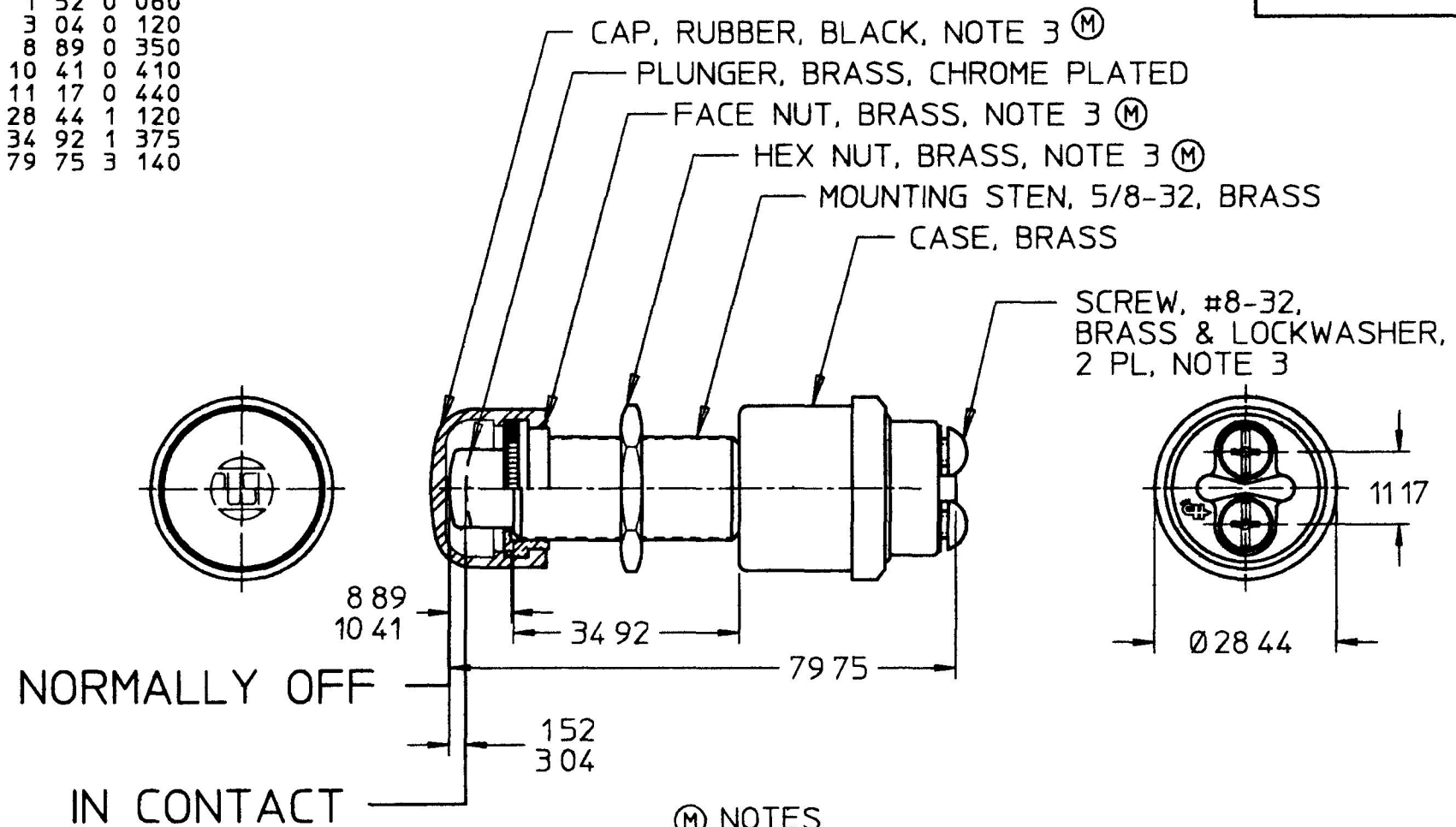


M626

| MM | IN |
|-------------|----|
| 1 52 0 060 | |
| 3 04 0 120 | |
| 8 89 0 350 | |
| 10 41 0 410 | |
| 11 17 0 440 | |
| 28 44 1 120 | |
| 34 92 1 375 | |
| 79 75 3 140 | |



- (M) NOTES
- 1 ALL DIMENSIONS ARE REFERENCE ONLY
 - 2 RATING
12V DC 35 AMPS
24V DC 20 AMPS
 - 3 PARTS MAY BE ASSEMBLED OR SUPPLIED IN A PLASTIC BAG

METRIC

DO NOT SCALE

| LET | WAS | DATE | BY | LET | WAS | DATE | BY | MATERIAL | DRAWN | CHK | APVD | SCALE | DATE DRAWN |
|-----|-----|------|----|-----|----------------------------|---------|-----|----------------------|--|-----|------|------------------|------------|
| | | | | | | | | | PLB | JMP | | 11 | 12/27/56 |
| | | | | | | | | FINISH | Cole Hersee Co. 20 OLD COLONY AVENUE, BOSTON, MA, U.S.A. 02127 | | | DATE BLUEPRINTED | |
| | | | | M | ECN #26836 BAGGED PARTS | 7/25/97 | AJS | TOLERANCES | SW, P-P, MOM | | | M626 | |
| | | | | L | PUT ON CAD | 7/26/96 | DPS | DECIMAL ± ANGLE ± | | | | | |