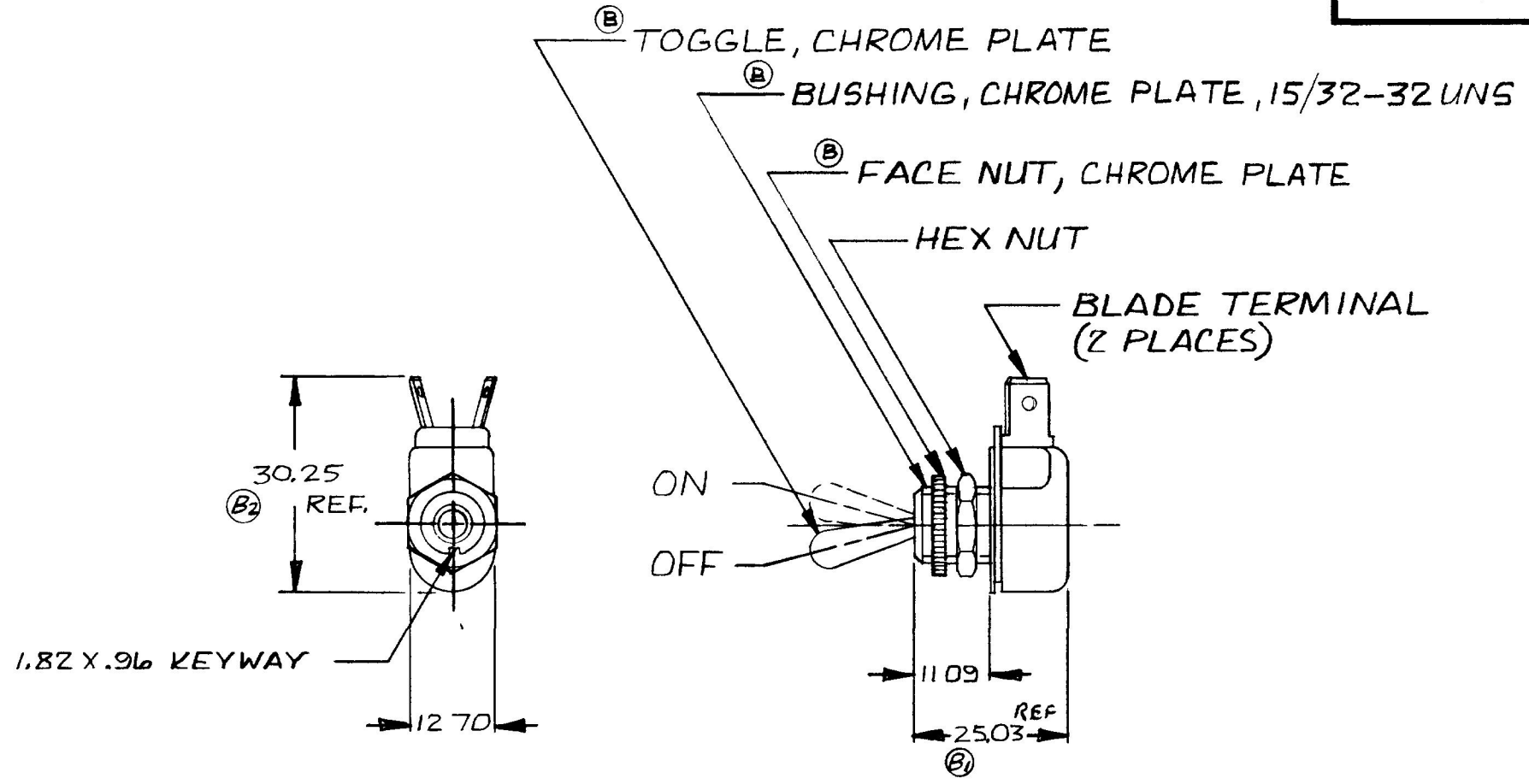


MM	IN
25	.010
11.09	.437
12.70	.500
25.03	1.025
30.25	1.191
.96	.038
1.82	.072


M-586

REF
55013



METRIC

DO NOT SCALE

LET	WAS	DATE	BY	LET	WAS	DATE	BY	MATERIAL	DRAWN	CHECKED	APPRV'D	SCALE	DATE DRAWN				
								—#—	EA	DPS 8 19 82		1:1	11-27-56				
								FINISH	 20 OLD COLONY AVENUE SOUTH BOSTON MA U.S.A. 02127				DATE BLUEPRINT				
				B	PLATE/21749	8-9-82	(C)	—#—									
				B ₁	.937	B ₂	1.281	(E)					TOLERANCES				
				A	REDRAWN	11-19-81	(E)	DECIMAL ±	TOGGLE SWITCH				M-586				
								METRIC ± 75									

CH-188(4-78)