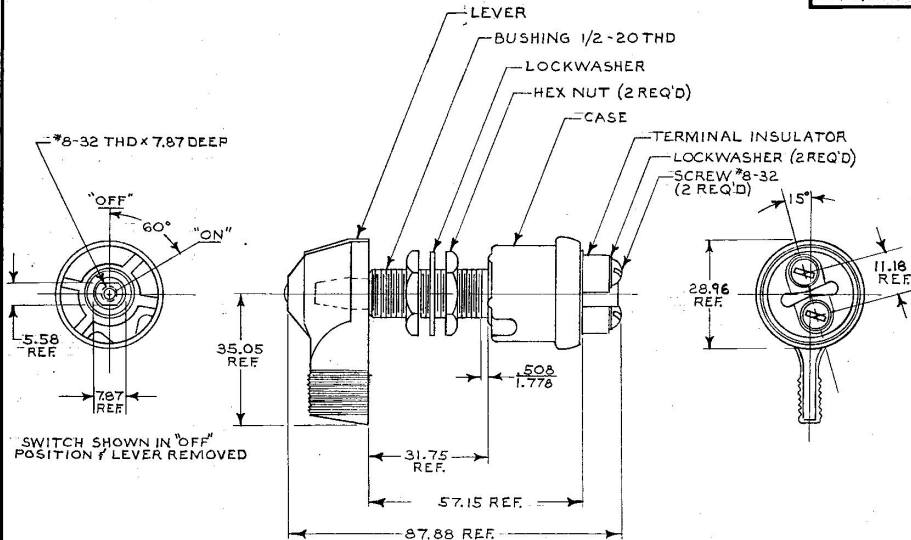


M497

MM	IN
35.08	1.381
1.778	.070
5.88	.230
7.87	.310
11.18	.440
28.96	1.140
31.75	1.250
35.05	1.380
57.15	2.250
87.88	3.460

METRIC

Confidential Property of Cole Hersee

DO NOT SCALE

LET.	WAS	DATE	BY	LET.	WAS	DATE	BY	MATERIAL	DRAWN	CHECKED	APPRVD.	SCALE	DATE DRAWN
								<i>H</i>	M	<i>[Signature]</i>		1:1	1-25-60
								FINISH					DATE BLUEPRINT
								TOLERANCES	 Cole Hersee Co. <small>DESIGN AND MANUFACTURING DIVISION, ILL. DIV.</small>				
								DECIMAL ±					ROTARY SWITCH
								METRIC ±	M497				

BRUNING 40-21 63765

CH-188(4-78)