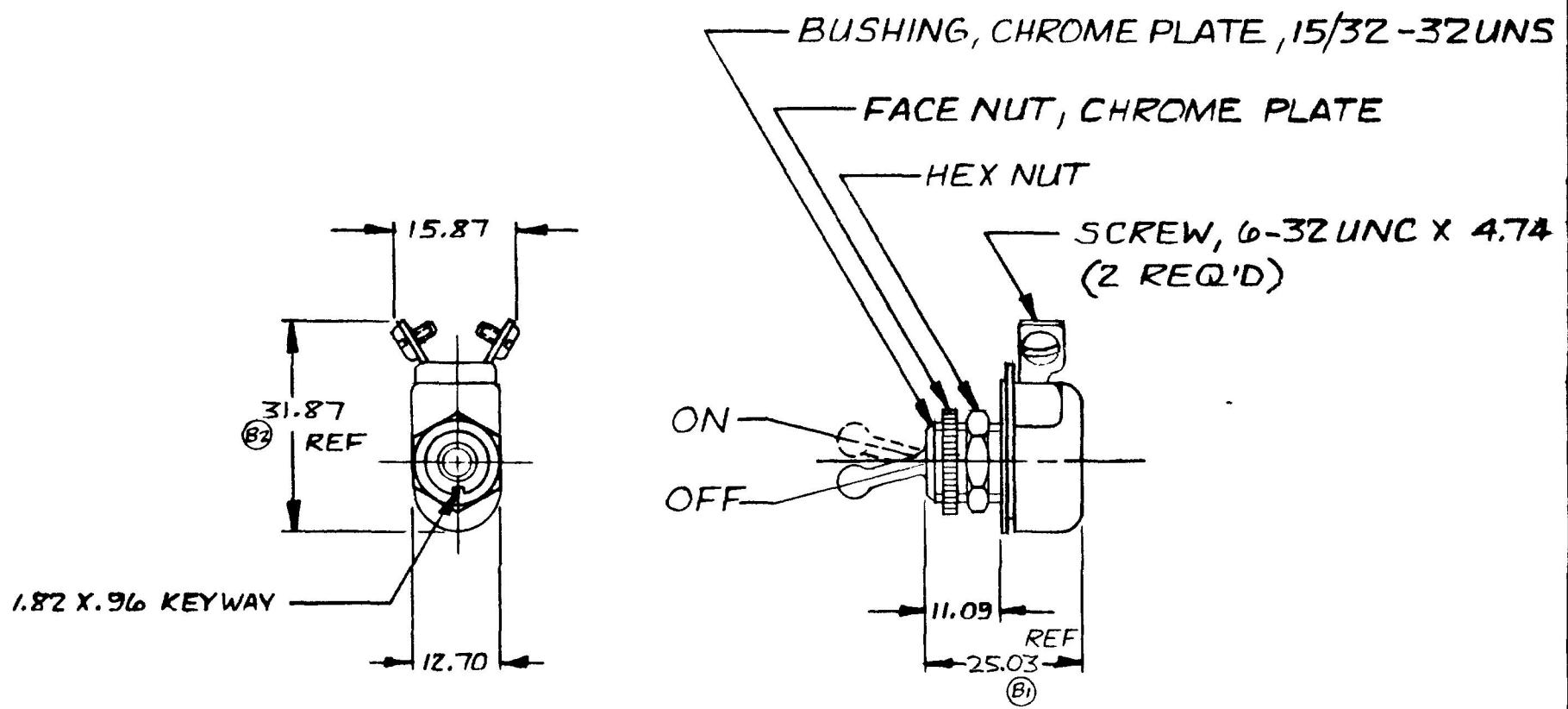


MM	IN
.25	.010
.96	.038
1.82	.072
11.09	.437
12.70	.500
25.03	1.025
31.87	1.255
41.14	1.617
15.87	.625

REF  
5507

M 493



METRIC

DO NOT SCALE

LET	WAS	DATE	BY	LET	WAS	DATE	BY	MATERIAL	DRAWN	CHECKED	APPRV D	SCALE	DATE DRAWN	
								H	RJS	DPS		1:1	7-6-54	
								FINISH	 Cole Hersee Co. <small>20 OLD COL. ST. LYNN SOUTH BOSTON MA U.S.A. 02127</small>				DATE BLUEPRINT	
								H						
				B	NICKEL PLATED	21749	8-9-82	(B2)	TOLERANCES DECIMAL ± METRIC ±					
				B1	RE-DRAWN	1.281	8-9-82	(B1)						
													TOGGLE SWITCH	M 493

CH-188(4-78)