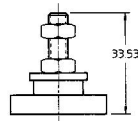
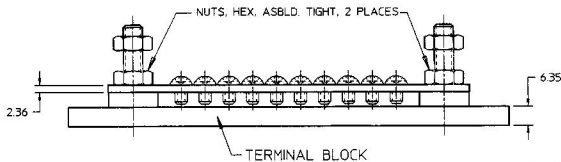
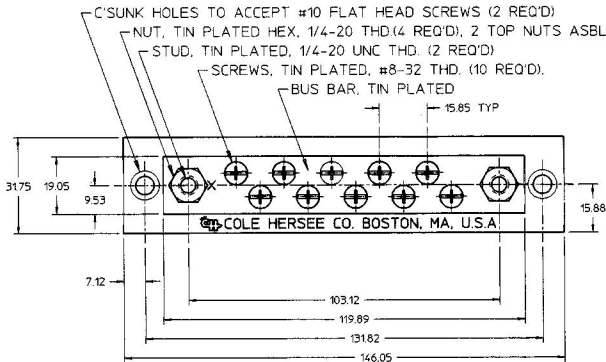


MM	IN
2.36	0.093
6.35	0.250
7.12	0.280
9.53	0.375
15.85	0.624
15.88	0.625
19.05	0.750
31.75	1.250
33.53	1.320
103.12	4.060
119.89	4.720
131.82	5.190
146.05	5.750



NOTES:

1. ALL DIMENSIONS ARE REFERENCE
2. ALL PARTS ASSEMBLED
3. SAME AS M-449 EXCEPT ALL METAL PARTS TIN PLATED AND ASSEMBLED.

Confidential Property of Cole Hersee

DO NOT SCALE

LET.	WAS	DATE	BY	LET	WAS	DATE	BY	MATERIAL	DRAWN	CHK	APVD	SCALE	DATE DRAWN
								N/A	WL	N/A	GA	1:1	08/10/98
								N/A					EX-26908-B
								FINISH	Cole Hersee Co. 20 OLD COLONY AVENUE, BOSTON, MA, U.S.A. 02127				DATE BLUEPRINTED
								N/A					
								TOLERANCES	10 GANG MARINE TERMINAL BLOCK				M-449-04
								DECIMAL ± N/A					
								ANGLE ±					
													ISSUED 9/13/99 GA