

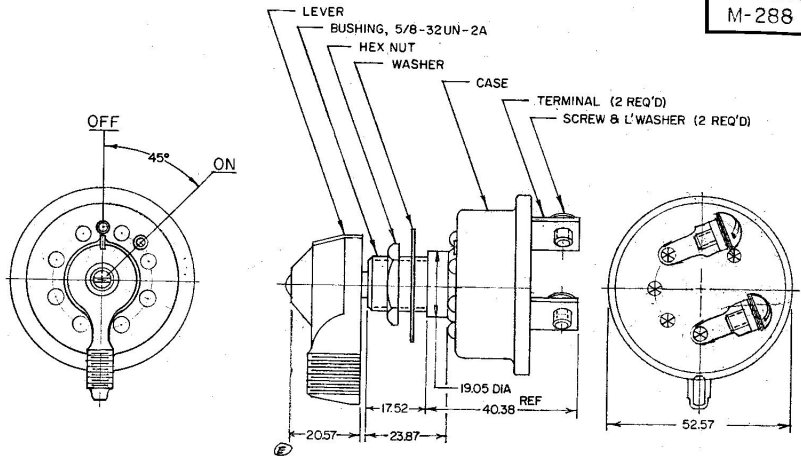
MM. 25  
 17.52  
 19.05  
 20.57  
 23.87  
 20.38  
 22.57

.010  
 .690  
 .750  
 .810  
 .940  
 1.590  
 2.070

NPM 3-17-66

EX-14-147

M-288



Confidential property of Cole Hersee

- NOTE:
1. ALL STEEL PARTS PLATED
  2. O-RING SEALED AT BUSHING
  3. SILVER CONTACT SURFACES
  4. 50 AMP RATING AT 14 VOLTS

METRIC

DO NOT SCALE

LET.	WAS	DATE	BY	LET.	WAS	DATE	BY	MATERIAL	DRAWN	CHECKED	APPR'D	SCALE	DATE DRAWN
								— / —	MF	5-26-80		1:1	10-21-65
								FINISH					DATE BLUEPRINT
				E	ECAL 01089	2-6-68							
				D	ECN.01089	1-17-68							
				C	REDRAWN								
								TOLERANCES DECIMAL ±					

**CH** Cole Hersee Co.  
 MILWAUKEE, WISCONSIN U.S.A.

"OFF-ON" DISCONNECT SWITCH

M-288