

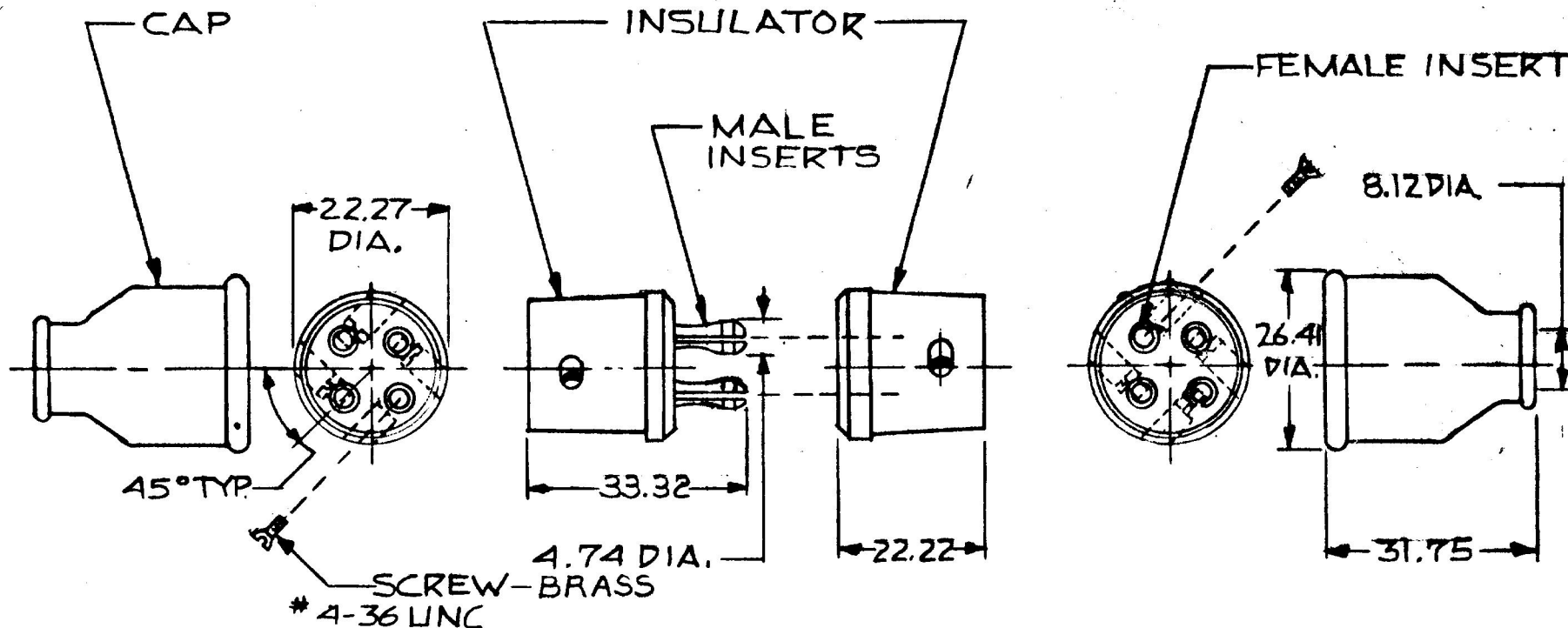
MM IN

4.74 .187  
 8.12 .320  
 22.22 .875  
 26.41 1.040  
 31.75 1.250  
 22.27 .877  
 33.32 1.312

M115

M115-M (MALE)

M115-F (FEMALE)




POLARIZED

NOTES:  
 1. ALL STEEL PARTS PLATED.  
 2. ALL DIMENSIONS ARE REFERENCE

METRIC.

DO NOT SCALE

| LET. | WAS | DATE | BY | LET. | WAS     | DATE    | BY        | MATERIAL   | DRAWN   | CHECKED | APPR'D. | SCALE | DATE DRAWN     |
|------|-----|------|----|------|---------|---------|-----------|------------|---|---------|---------|-------|----------------|
|      |     |      |    |      |         |         |           | ★          | VAK   | CS      |         | 1:1   | 9-24-84        |
|      |     |      |    |      |         |         |           | FINISH     |   |         |         |       | DATE BLUEPRINT |
|      |     |      |    |      |         |         |           | ★          | <br>Cole Hersee Co.<br><small>20 OLD COLONY AVENUE SOUTH BOSTON MA. 02144 6977</small> |         |         |       |                |
|      |     |      |    |      |         |         |           | TOLERANCES | 4 POLE CONNECTOR  |         |         |       | M115           |
|      |     |      |    |      |         |         | DECIMAL ± |            |   |         |         |       |                |
|      |     |      |    |      |         |         |           | METRIC ±   |   |         |         |       |                |
|      |     |      |    | A    | REDRAWN | 9-24-84 | CS        |            |   |         |         |       |                |

CH-188(4-78)