

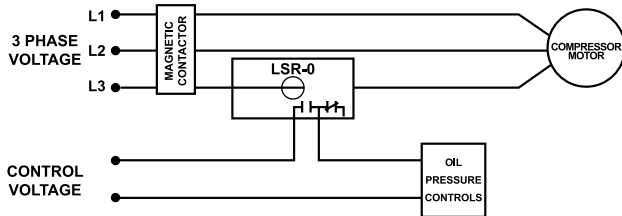
LSR-0

Self-powered load sensor/low-cost proof relay

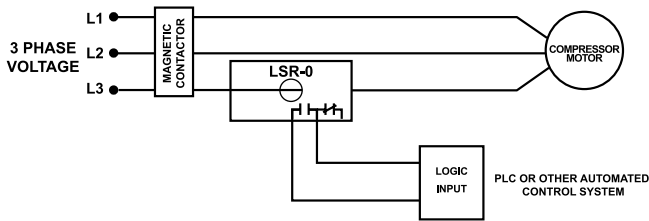


Wiring Diagram

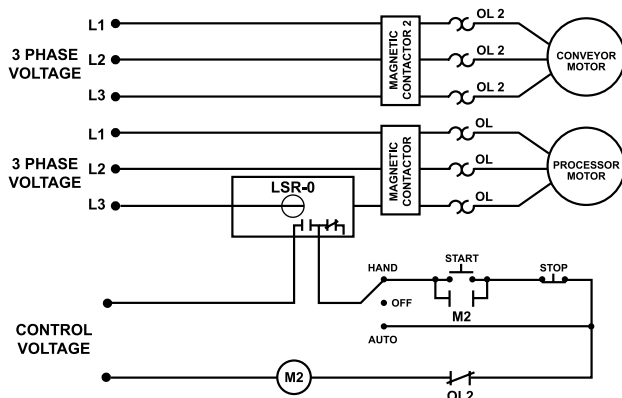
TYPICAL WIRING DIAGRAM FOR REFRIGERATION AND OIL FAILURE CONTROL



TYPICAL WIRING DIAGRAM FOR BUILDING AUTOMATION



TYPICAL WIRING DIAGRAM FOR BUILDING AUTOMATION



Description

The LSR-0 is a self-powered load sensor intended for use as a proof relay. It is used to verify that current is flowing as intended. It has a guaranteed 15A pull-in current and 2.5A drop-out current. Proof relays are typically used to interlock fans, compressors, motors, heating elements and other devices. The LSR-0 is self-powered, that is, it draws its power from the wire being monitored so it does not require separate control power wiring.

Features

- Self-powered
- Low cost proof relay
- Can monitor up to 135A loads

Specifications

| | |
|-----------------------------------|---|
| Max Current Ratings | 135A continuous |
| Functional Characteristics | |
| Turn-on Threshold | Fixed, 15A (max.)* |
| Turn-off Threshold | 2.5A (min.) |
| Power | Induced from conductor |
| Isolation | 600VAC rms |
| Output Characteristics | |
| Relay Output Rating: | |
| Pilot Duty | 480VA @ 240VAC |
| General Purpose | 10A |
| General Characteristics | |
| Temperature Range | -20° to 70°C (-4° to 158°F) |
| Wire Size | #12-24AWG |
| Hole Size | 0.725" diameter |
| Terminal Torque | 7 in.-lbs. |
| Safety Marks | |
| CSA, CSA-NRTL/C | (File #46510) |
| CE | |
| Dimensions | H 42.42 mm (1.67"); W 58.42 mm (2.3"); D 90.43 mm (3.56") |
| Weight | 0.35 lb. (5.6 oz., 158.76 g) |
| Mounting Method | Four #6 screws 3/4" in length |

*Conductors may be looped for smaller motor applications.

Caution: This product should not be relied upon solely for safety of life or safety applications.