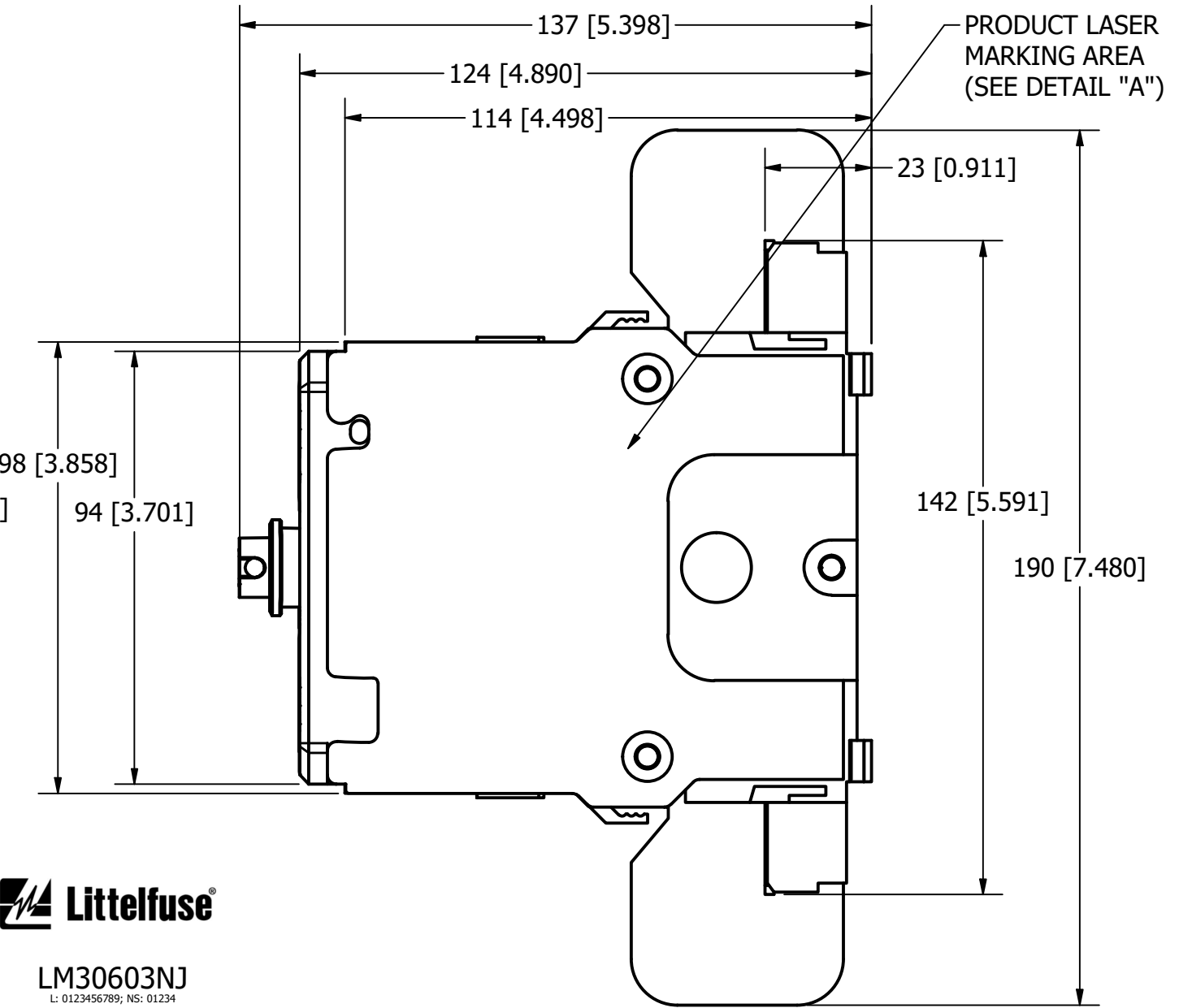
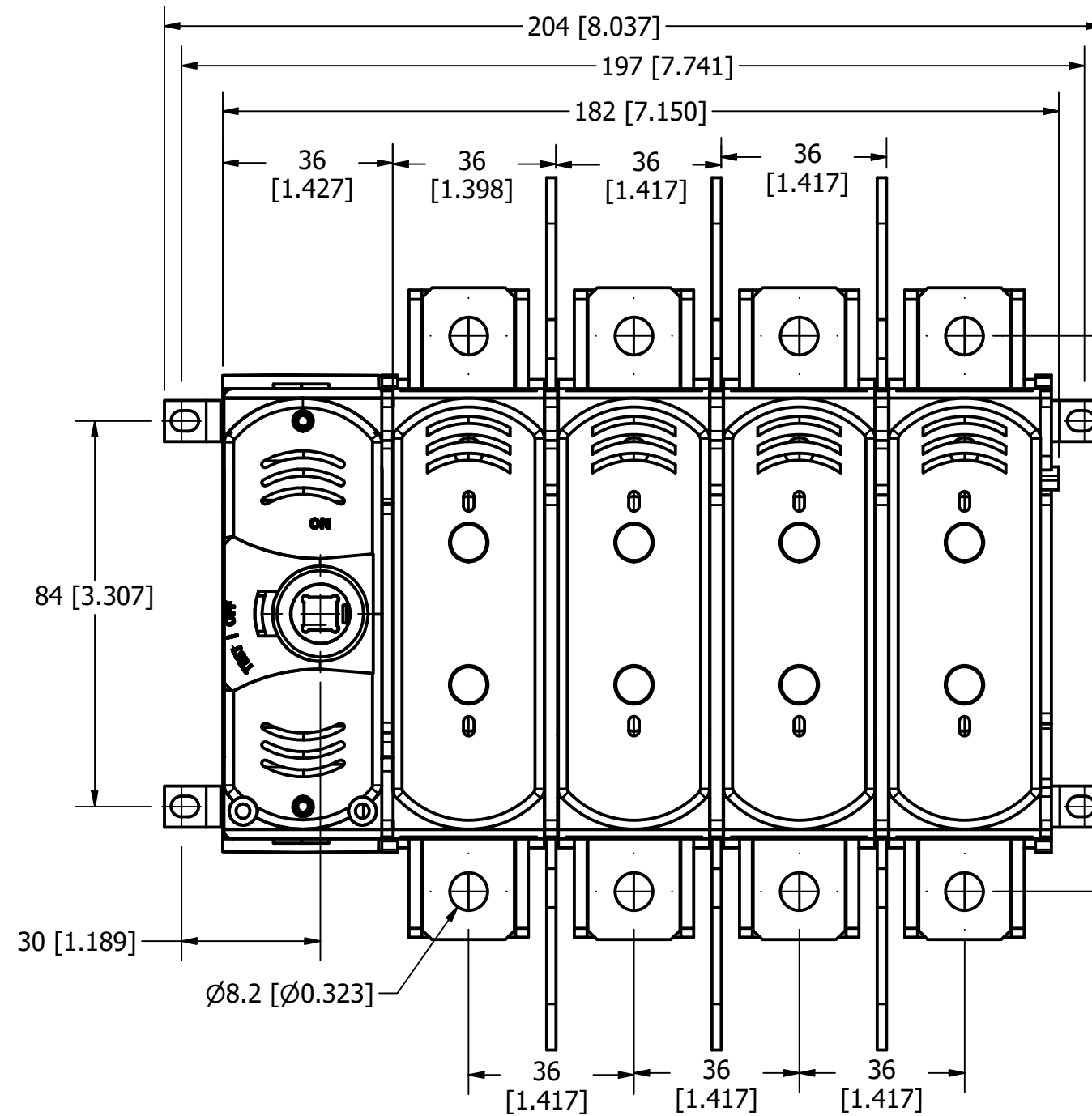
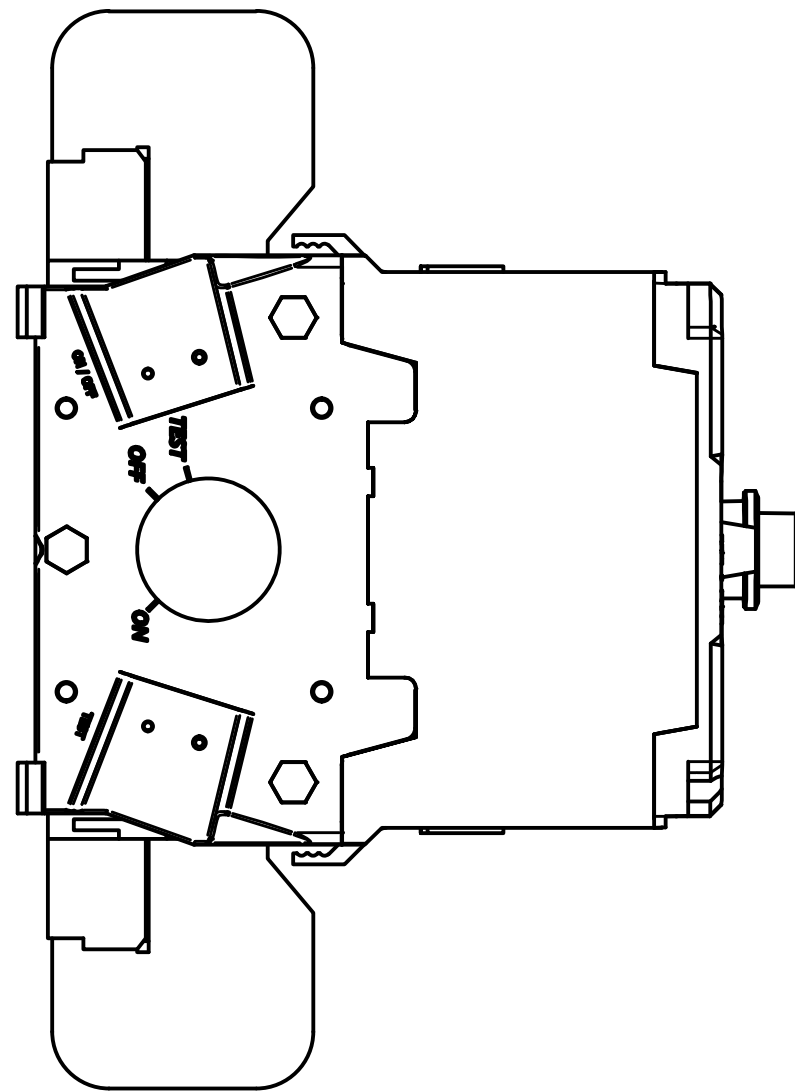
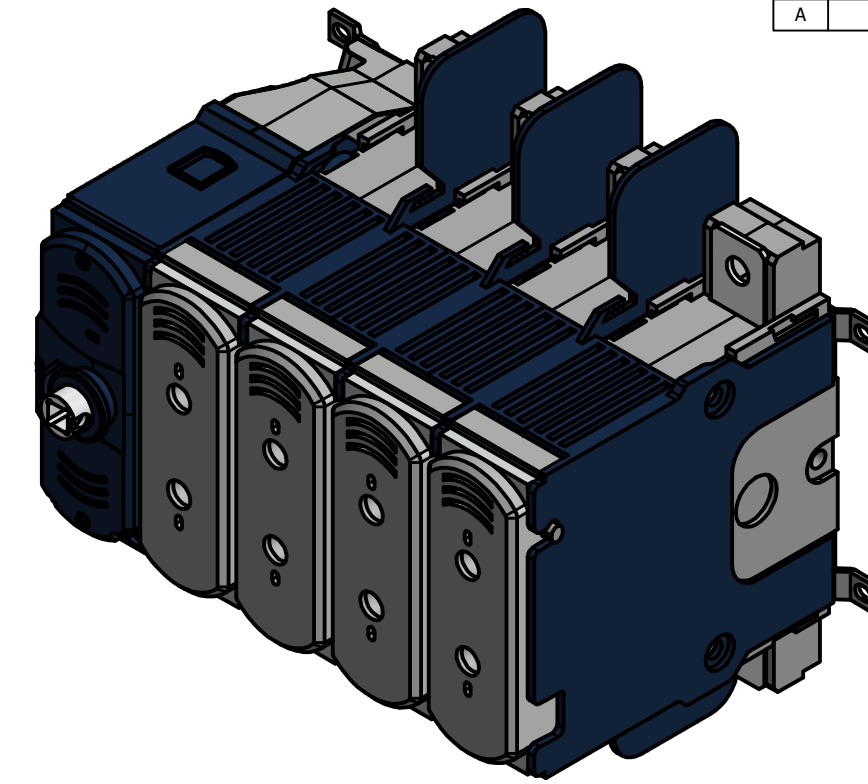
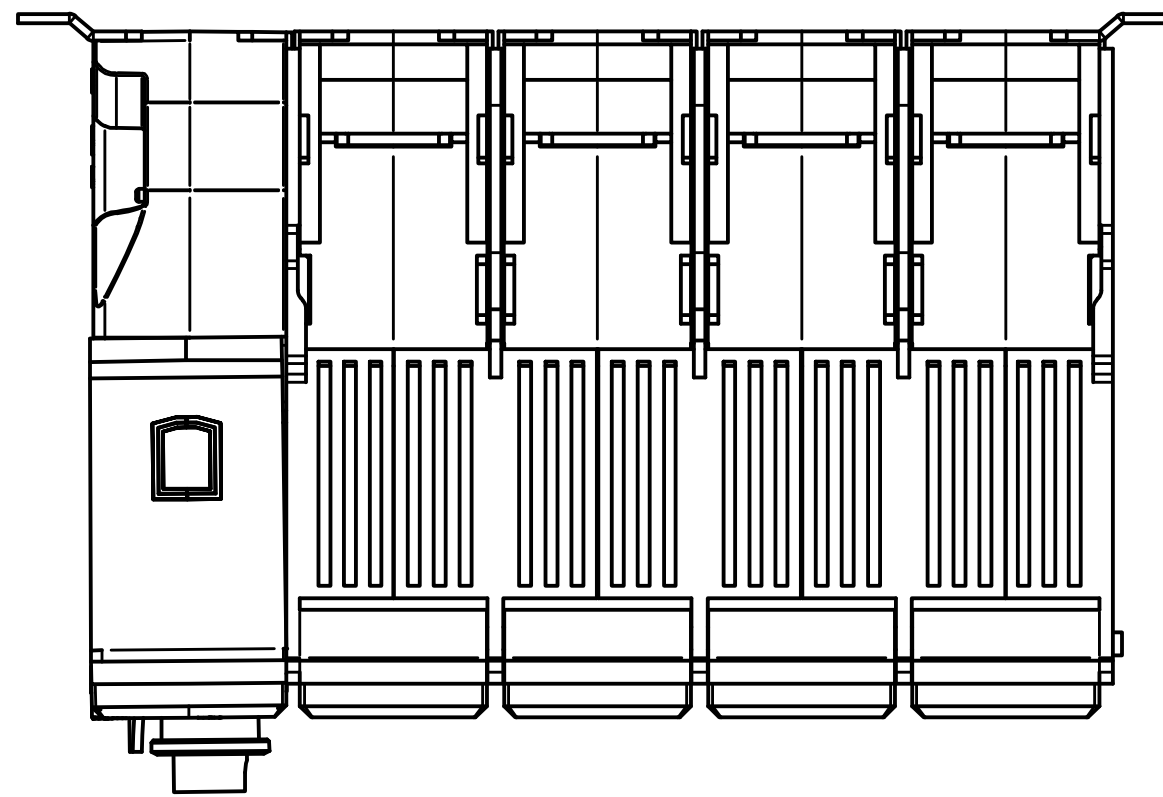


PART NUMBER	UPC CODE
LM30603NJ	07945831076

REVISION		DESCRIPTION
REV	DATE	
A	5/4/23	526430GCP - RELEASE PER EM3380 MRY



LM30603NJ
L 0123456789; NS: 01234



UL 98
600Vac 60A 50/60Hz
General purpose switch
Use Cu wire only
75°C 6-2/0 AWG Wire
Terminal Torque 53 LB.IN.
With KIT Terminal Lugs LDM3TLU01
Motor-Circuit Switch

3 Ø	Vac	240	480	600
MAX	HP	15	30	50
STD	HP	7.5	15	15

Suitable for use on a circuit capable of delivering not more than 200kA R.M.S symmetrical, 600V max.
Use class J fuses.

Max. fuse size **60A**

The starting current of motors of more than the standard horsepower ratings may require the use of fuses with appropriate time-delay characteristics.

Continuous load current not to exceed 80 percent of the rating of the fuses employed in other than motor circuits.

Use accessories according to instructions:
4567Z010

MADE IN SPAIN

DETAIL "A"
SIDE PRINTING

1	NO	COMPONENT NO	DESCRIPTION	QTY/M	U/M
BILL OF MATERIAL					
<S>	CRITICAL CHARACTERISTIC FOR PART SAFETY/COMPLIANCE				
●	DENOTES CRITICAL CHARACTERISTICS.				
CPK	DENOTES CPK DIMENSIONS, -MINIMUM CPK VALUE				
(ST)	DENOTES A CHARACTERISTIC THAT PROVIDES AN INDICATION OF PROCESS PERFORMANCE. PROCEDURE FOR MEASUREMENT AND TRACKING TO BE DEFINED IN LITTELFUSE INSPECTION INSTRUCTIONS.				
CP	DENOTES CP DIMENSIONS, -MINIMUM CP VALUE MUST BE WITHIN THE DIMENSIONAL LIMITATIONS SHOWN ON DRAWING AND INITIALLY LOCATED TO ALLOW FOR MAXIMUM TOOL LIFE.				
MATL SPEC			FINISH		
DRW	DATE	SCALE	FINISH GOOD WT		
myork	1/5/2023	NTS	GRAMS/PIECE		
UNLESS OTHERWISE SPECIFIED, DIMENSIONS ARE IN MILLIMETERS, DIMENSIONS IN BRACKETS [] ARE INCHES DIMENSIONING AND DO NOT INCLUDE PLATING. TOLERANCING TO BE INTERPRETED IN ACCORDANCE WITH ANSI Y14.5M-1994					
3RD ANGLE PROJECTION					
TITLE CLASS J 60A DISCONNECT 3P WITH NEUTRAL OUTLINE					
			REVISION	DRWG NO.	SHEET 1 OF 1
CHICAGO, ILLINOIS 60631			A	OL-LM30603NJ	