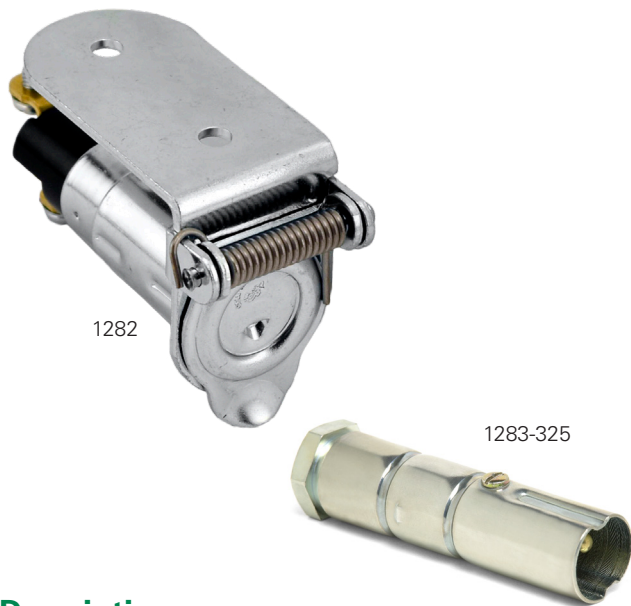


## FARM EQUIPMENT CONNECTORS

20A • 12V DC • 2-Pole



### Description

Littelfuse 2-Pole Farm Equipment Connectors are used to provide power to farm equipment with 12V and 24V electrical systems.

### Applications

- Power to Farm Equipment
- Power to Auxiliary Equipment

### Web Resources

Download 2D print and technical resources at: [littelfuse.com/FarmEquipmentConnectors](http://littelfuse.com/FarmEquipmentConnectors)

### Ordering Information

PART NUMBERS	DESCRIPTION	AMPERAGE	VOLTAGE RATING	POLES	HOUSING	MOUNTING	CONNECTIONS
1282 *	2-Pole Bracketed Socket Farm Equipment Connector Assembly	20A	12V/24V	2 Pole	Plated Steel	Bracket	Two 8-32 SEMS Brass Screws
1283-325 *	2-Pole Plug Farm Equipment Connector Assembly	20A	12/V/24V	2 Pole	Plated Brass	None	Threaded cable grip

\* Box and Blister Pack Available



Visit [Littelfuse.com](http://Littelfuse.com) for the most up-to-date product information. Littelfuse products are designed for specific applications and should not be used for any purpose (including, without limitation, automotive applications) not expressly set forth in applicable Littelfuse product documentation. Warranties granted by Littelfuse shall be deemed void for products used for any purpose not expressly set forth in applicable Littelfuse product documentation. Littelfuse shall not be liable for any claims or damages arising out of products used in applications not expressly intended by Littelfuse as set forth in applicable Littelfuse product documentation.

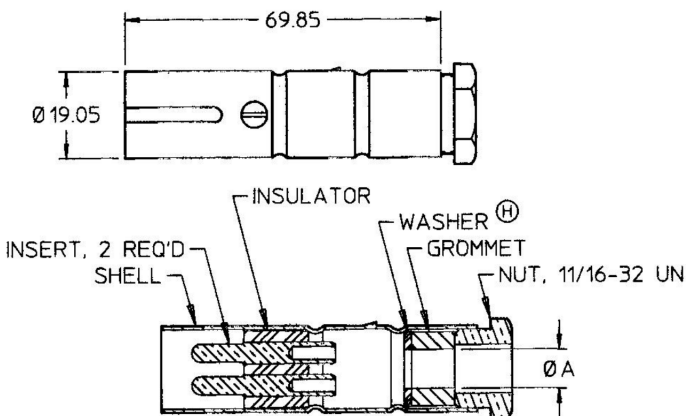
### Features and Benefits

- Protective, doored sockets to protect terminals from debris and contaminants
- Individual pins for specific electrical function assignment
- Rugged, proven, round pin design
- Rugged, round plated steel housings for compact design
- Breakaway, polarized connectors that automatically releases at ~20 lbs pull

### Specifications Overview

**Pole:** 2 Pole  
**Amperage:** 20A  
**Voltage Rating:** 12V/24V DC

### Dimensions in mm



\* Dimensions shows for 1283, Dimensions may vary per part number