

Indicator MINI Smart Glow fuse

Rated 32 V DC

RoHS



Description

Each fast-acting MINI® Smart Glow blade fuse features an LED indicator light that comes on when the fuse blows. Like other MINI fuses, it boasts a miniature design that allows automakers to pack more circuit protection into less space. Despite their light weight, MINI fuses perform reliably in adverse environments and at extreme temperatures.

Features & Benefits

- Available with ampere ratings of 3 A to 30 A
- Interrupting ratings of 1 kA at 32 VDC
- Operate at up to 125 °C
- Tin-plated zinc alloy terminals
- PA66 housings with UL flammability ratings of V-2
- Net weight 0.57 g ±5 % per fuse
- Comply with SAE J2077 and ISO 8820-3
- UL Listed
- Certified lead-free and RoHS compliant
- Color coding indicates ampere rating
- High-contrast ampere rating stamps aid identification
- See-through housings make it easier to see when fuses blow

Applications

- Cars and SUVs
- Trucks
- Buses
- Offroad vehicles
- Watercraft as approved by Littelfuse

Ratings

| Color Code | Current Rating (A) | Material # | Carded | |
|------------|--------------------|---------------|--------|-----------|
| | | | | Catalog # |
| Gray | 2 | — | | — |
| Violet | 3 | OMIN003.VPGLO | | 10-0003 |
| Pink | 4 | — | | — |
| Tan | 5 | OMIN005.VPGLO | | 10-1000 |
| Brown | 7.5A | OMIN07.5VPGLO | | 10-0007 |
| Red | 10A | OMIN010.VPGLO | | 10-1001 |
| Blue | 15A | OMIN015.VPGLO | | 10-1002 |
| Yellow | 20A | OMIN020.VPGLO | | 10-1003 |
| Clear | 25A | OMIN025.VPGLO | | 10-1004 |
| Green | 30A | OMIN030.VPGLO | | 10-1005 |

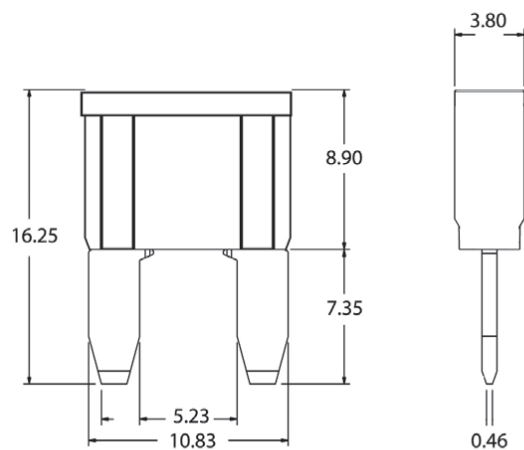
**SMART
GLOW** Fuse®

Indicator MINI Smart Glow fuse

Rated 32 V DC

Dimensions

Dimensions in mm. Please refer to the outline drawing for dimensions and tolerances.

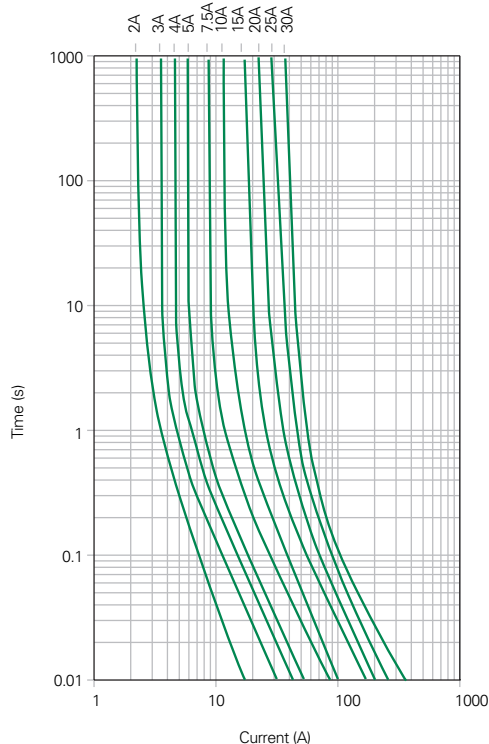


**SMART
GLOW** Fuse®

Indicator MINI Smart Glow fuse

Rated 32 V DC

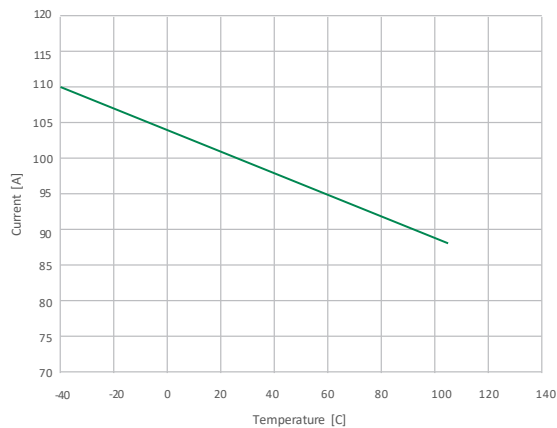
Time-Current Characteristic



| % of Rating | Opening Time Min. / Max. (s) |
|-------------|---------------------------------|
| 110 | 360,000 / - |
| 135 | 0.75 / 600 |
| 200 | 0.15 / 5 |
| 350 | 0.08 / 0.25 |
| 600 | 0.03 / 0.1 |

Typical Derating Curves

Please contact Littelfuse® for Details Regarding Derating Test Set Up



Derating depicted in these curves is in addition to the standard derating of 25 % for continuous operating.

