

# MDSM-DT 14.7mm Surface Mount Changeover Reed Switch



## Description

The MDSM-DT Reed Switch is a miniature, surface mounting, changeover switch with a 14.73mm long x 2.54mm diameter (0.580" x 0.100") glass envelope. It is capable of switching 175Vdc at 5W. The MDSM-DT has an insulation resistance of 10<sup>9</sup> ohms minimum and contact resistance less than 100 milli-ohms. This reed switch is a surface mount version of the MDRR-DT.

## Features

- Surface mount SPDT changeover switch
- Capable of switching 175Vdc or 0.25A at up to 5W
- Available sensitivity 15-30 AT

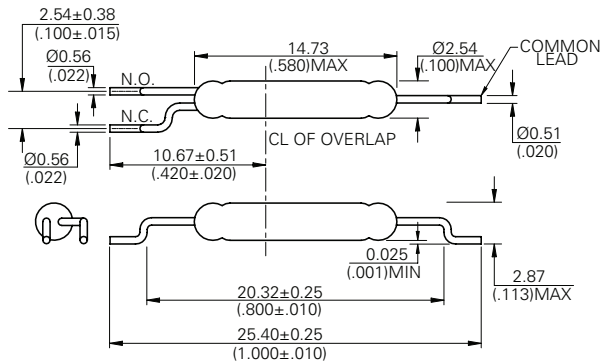
## Agency Approvals

Agency	Agency File Number	Ampere-Turns Range
<b>cRUUS</b>	E47258 E471070	15-30 AT

**Note:** Contact Littelfuse for specific agency approval ratings.

## Dimensions

Dimensions in mm (inch)



**Note:** Land pattern is Littelfuse recommendation only. User is responsible for proper PCB design.

## Benefits

- Hermetically sealed switch contacts are not affected by and have no effect on their external environment
- Zero operating power required for contact closure
- Excellent for switching microcontroller logic level loads

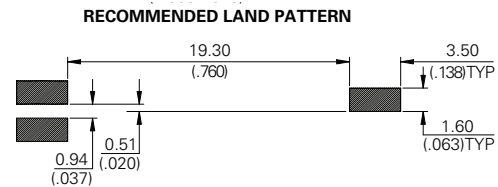
## Applications

- Position Sensing
- Level Sensing
- Industrial Controls
- Office Equipments
- Mobile Phones

## Switch Type

Contact Form	C (SPDT-CO)
Materials	Body: Glass Leads: Tin-plated Ni-Fe wire

**Note:** SPDT-CO = Single-Pole, Double-Throw, Change-Over



## Electrical Ratings

Contact Rating <sup>1</sup>		W/VA - max.	5
Voltage <sup>3</sup>	Switching <sup>2</sup>	Vdc - max.	175
		Vac - max.	120
		Vdc - min.	200
Current <sup>3</sup>	Switching <sup>2</sup>	Adc - max.	0.25
		Aac - max.	0.18
		Adc - max.	1.50
Resistance	Contact, Initial Insulation	Ω - max.	0.100
		Ω - min.	10 <sup>9</sup>
Capacitance	Contact	pF - typ.	1.0
Temperature	Operating	°C	-40 to +125
		Storage <sup>5</sup>	°C

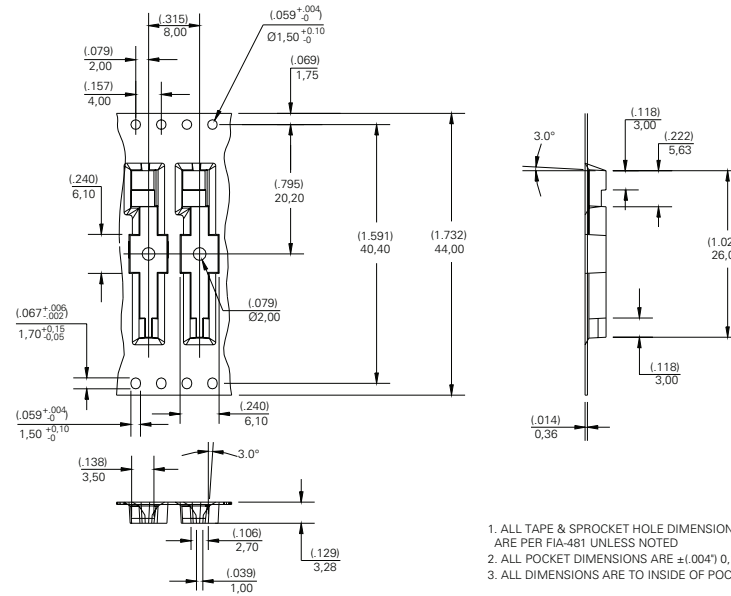
### Notes:

1. Contact rating - Product of the switching voltage and current should never exceed the wattage rating. Contact Littelfuse for additional load/life information.
2. When switching inductive and/or capacitive loads, the effects of transient voltages and/or currents should be considered. Refer to Application Notes AN108A and AN107 for details.
3. Electrical Load Life Expectancy - Contact Littelfuse with voltage, current values along with type of load.
4. Breakdown Voltage - per MIL-STD-202, Method 301.
5. Storage Temperature - Long time exposure at elevated temperature may degrade solderability of the leads.



# MDSM-DT 14.7mm Surface Mount Changeover Reed Switch

## TAPE DIMENSIONS mm (inch)



1. ALL TAPE & SPROCKET HOLE DIMENSIONS ARE PER FIA-481 UNLESS NOTED
2. ALL POCKET DIMENSIONS ARE ±(0.04\*) 0.10mm
3. ALL DIMENSIONS ARE TO INSIDE OF POCKET

## REEL DIMENSIONS mm (inch)

