

Specification Status: Released

Maximum Operating Voltage: 60 V_{DC}

Fault Ratings at 20°C:
 250V_{AC}, 3A, 10 applications
 600V_{AC}, 60A, 1 application

Additional Info at 20°C:

- Resistance matched: N/A
- Lightning withstand: GR1089 Levels 1 & 2
- Helps equipment meet UL60950 (UL1459) and GR1089

Terminal Material: Tin-Plated Brass

Case Material: 1000V Dielectric Rating

Marking:

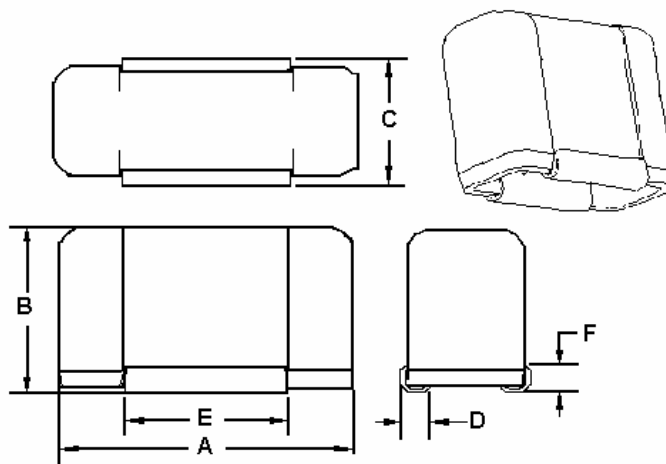
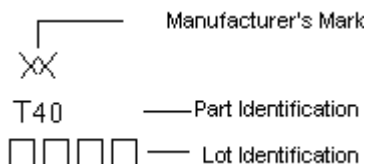


TABLE I. DIMENSIONS:

	A		B		C		D		E		F	
	MIN	MAX	MIN	MAX	MIN	MAX	MIN	MAX	MIN	MAX	MIN	MAX
mm:	18.3	19.4	11.6	12.3	7.2	8.3	1.7	2.4	9.9	10.4	1.5	2.3
in.*	(0.72)	(0.77)	(0.46)	(0.49)	(0.29)	(0.33)	(0.07)	(0.09)	(0.39)	(0.41)	(0.06)	(0.09)

*Rounded off approximation

TABLE II. PERFORMANCE RATINGS @ 20°C (unless otherwise noted):

HOLD CURRENT (A)	TRIP CURRENT (A)	RESISTANCE (Ω)			TIME TO TRIP(Sec) @ 3A		OPERATING TEMPERATURE (°C)		TRIPPED POWER DISSIPATION (W) TYP @ 60V _{DC}
		R MIN	R Typ	R ₁ MAX*	TYP	MAX	MIN	MAX	
0.400	1.000	0.5	1.1	2.0	5.0	14.0	-40	85	2.0

*Maximum device resistance at 20°C measured 1 hour post reflow or post trip.

TABLE III. APPLICABLE PART DESCRIPTIONS:

PART DESCRIPTION	PCN # (INTERNAL USE ONLY)	PACKAGING TYPE	NOTE
TS600-400F	RF0309-000	Bulk	N/A

Agency Recognitions: UL (file #E74889), CSA (file #78165)
 Reference Documents: PS300, GR1089 specifications, UL60950
 Precedence: This specification takes precedence over documents referenced herein.
 Effectivity: Reference documents shall be the issue in effect on the date of invitation for bid.
 CAUTION: Operation beyond the rated voltage or current may result in rupture, electrical arcing or flame.

Materials Information
 ROHS Compliant

ELV Compliant

Pb-Free



PolySwitch®
PTC Devices
Overcurrent Protection Device

PRODUCT: TS600-400F

DOCUMENT: SCD26381
REV LETTER: H
REV DATE: JULY 26, 2016
PAGE NO.: 2 OF 2

Information furnished is believed to be accurate and reliable. However, users should independently evaluate the suitability of and test each product selected for their own applications. Littelfuse products are not designed for, and shall not be used for, any purpose (including, without limitation, military, aerospace, medical, lifesaving, life-sustaining or nuclear facility applications, devices intended for surgical implant into the body, or any other application in which the failure or lack of desired operation of the product may result in personal injury, death, or property damage) other than those expressly set forth in applicable Littelfuse product documentation. Warranties granted by Littelfuse shall be deemed void for products used for any purpose not expressly set forth in applicable Littelfuse documentation. Littelfuse shall not be liable for any claims or damages arising out of products used in applications not expressly intended by Littelfuse as set forth in applicable Littelfuse documentation. The sale and use of Littelfuse products is subject to Littelfuse Terms and Conditions of Sale, unless otherwise agreed by Littelfuse.