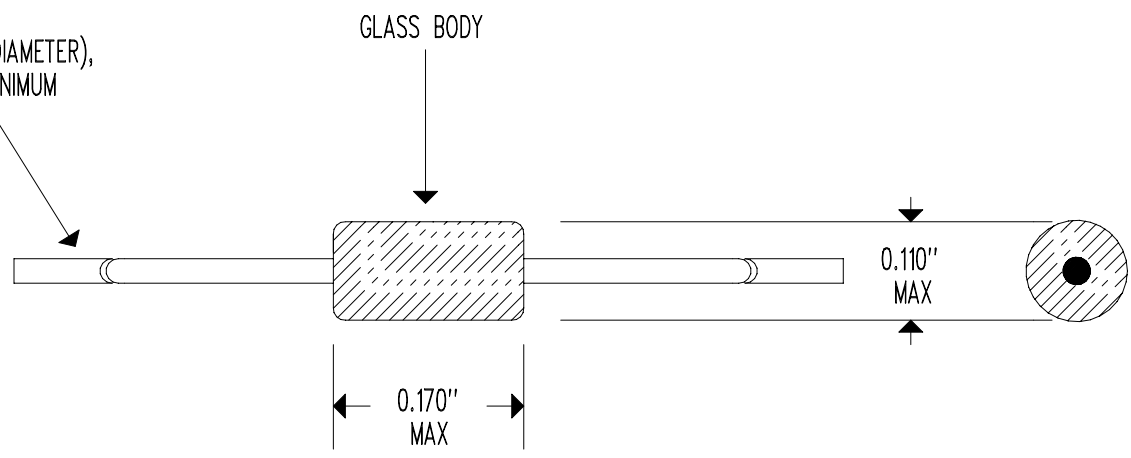


22 AWG (0.0256" ± 0.003" DIAMETER),
TINNED CCS, 1.00" LONG MINIMUM



RESISTANCE @ +25°C = 100 Ω ± 10%
 RESISTANCE TEMPERATURE CURVE = "B"
 BETA "β" (0 TO +50°C) = 2,941°K NOMINAL
 TEMPERATURE COEFFICIENT @ +25°C = -3.31%/°C NOMINAL
 DISSIPATION CONSTANT = 3 mW/°C NOMINAL (STILL AIR)
 THERMAL TIME CONSTANT = 8 SECONDS NOMINAL (STILL AIR)
 THERMAL TIME CONSTANT = 2 SECONDS NOMINAL (STIRRED OIL)
 MAXIMUM TEMPERATURE RATING = +220°C

SEE MANUFACTURING SPECIFICATION (LAYER 1)

"A"	MAX TEMP WAS +300°C & WIRE DIAMETER WAS 0.025" ± 0.002"	05/13/08	DD
NONE	RELEASE TO PRODUCTION	03/18/03	DD
REV	REVISION RECORD	DATE	APP

SCALE	NONE	© COPYRIGHT U.S. SENSOR CORP. 714-639-1000 www.ussensor.com NTC THERMISTOR P/N 101BH1K
DRAWN BY	DAN DANKERT	
DATE	03/18/03	
REV	"A"	
LAYER	0 OF 2	