

Installation Instructions

EPC Series Power Distribution Module

Part Number: LFLX0006Z-01



Description

The EPC is an internally bussed, connectorized, sealed power distribution module, suitable for mounting in rugged commercial vehicle applications. The EPC is a product that has dense concentration of high power circuits and accepts plug devices like automotive fuses, diodes and relays to protect and control complex electrical systems. An internally mounted Printed Circuit Board (PCB) allows bussed connections to a large number of devices.

Installation

Assemble the PDM and mount to a surface following the below sequence:

1. Fill the available fuse and relay spots to match the the application needs. Check the locations on the schematics for the maximum fuse rating for each space and do not exceed the maximum rated fuse values.
2. Use the mounting hole pattern on the mounting surface and mark the mounting hole pattern. Drill the holes so they are sized for M6 bolts. Place the EPC over the pattern and bolt it in place. Torque down the mounting screws to 6-8Nm (4.5-5.9 ft-lb)
3. The harnesses should be made to match the terminal map on the schematic. The connectors should now be attached. Each has a unique key that should prevent misassembly. Make certain that the connectors are fully inserted and the secondary lock is fully engaged. If the secondary lock will not fully engage, the connector is not fully connected. Be sure that the output cables are routed so they have sufficient bend radius and are not at risk of being damaged or pinched. Lastly, make sure that all cables are strain relieved by being supported within 18" of the battery.

Step by step images shown in Figure 2 on page 2.

Specifications Overview

Max Load:	160A
Working Voltage:	12/24V DC
Fuse Capacity:	Tailor to application - Up to 27 MINI Style Fuses
Fuse Rating Range:	5 to 30 A
Relay Capacity:	Tailor to application - Up to 3 Form C 280 and 6 Form A 280 Relays
Operating Temp:	-40° C to 85° C
Ingress Protection:	IP67 / IP69K
Mounting Bolt Torque:	6 - 8 Nm
Mating Terminals and Seals:	TYCO MCP 2.8mm & 1.5mm

Connector	Location
TYCO 1-1670901-1	J1
TYCO 2-1670901-1	J2
TYCO 3-1563759-1	J3
TYCO 1-1563759-1	J4

Wire Sizes:	0.5 mm ² – 2.5 mm ²
Box Dimensions:	179x155x69 mm
Accessories:	Fuse puller, spare fuses, tether

Ordering Information

PART NUMBERS	DESCRIPTION
LFLX0006Z-01	Connectorized Power Distribution Module with IP67/IP69K

Figure 1 - Finished Covered Assembly

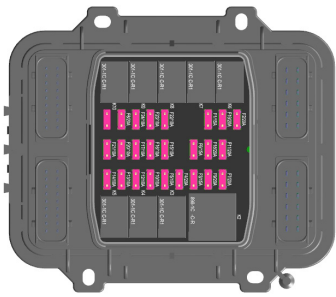
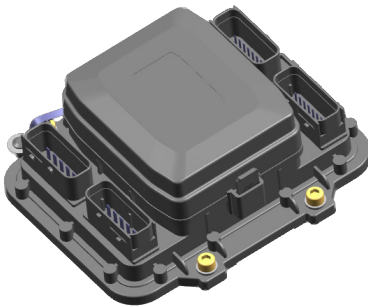
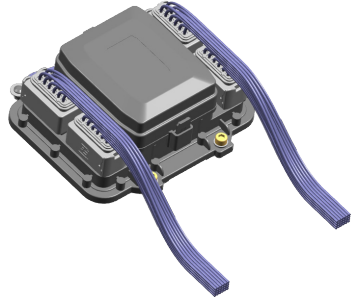


Installation Instructions

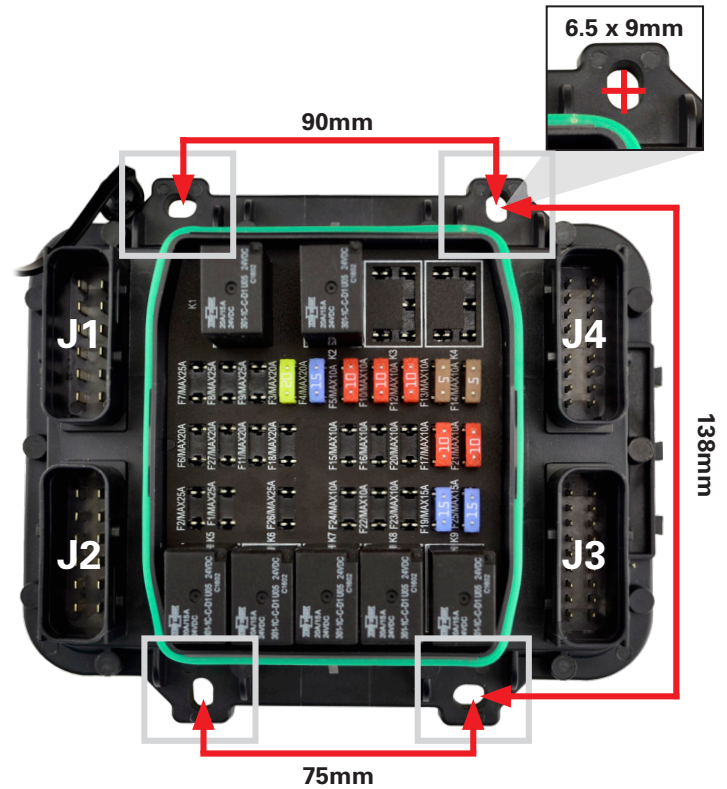
EPC Series Power Distribution Module

Part Number: LFLX0006Z-01

Figure 2 - Step by Step Installation

STEP 1	IMAGE	
	DETAILS	Fill the available fuse and relay spots to match the the application needs
STEP 2	IMAGE	
	DETAILS	Mark the mounting hole pattern and drill the holes to fit M6 bolts. Place the EPC over the pattern and bolt it in place. Torque down the mounting screws to 6-8Nm (4.5-5.9 ft-lb)
STEP 3	IMAGE	
	DETAILS	The connectors should be attached. Connectors should be fully inserted and the secondary lock is fully engaged. Be sure that the output cables are routed so they have sufficient bend radius and are not at risk of being damaged or pinched. Lastly, make sure that all cables are strain relieved by being supported within 18" of the battery.

Mounting Pattern Diagram



FUSE LOCATION	MAX FUSE VALUE	FUSE LOCATION	MAX FUSE VALUE
F1	25A	F15	10A
F2	25A	F16	10A
F3	20A	F17	10A
F4	20A	F18	20A
F5	10A	F19	15A
F6	20A	F20	10A
F7	25A	F21	10A
F8	25A	F22	10A
F9	25A	F23	10A
F10	10A	F24	10A
F11	20A	F25	15A
F12	10A	F26	25A
F13	10A	F27	20A
F14	10A		

Specifications, descriptions and illustrative material in this literature are as accurate as known at the time of publication, but are subject to changes without notice. Visit littelfuse.com for the most up-to-date technical information.