



Expertise Applied | Answers Delivered

Gas Discharge Tube

High Voltage Two Electrode Series

PRODUCT: GTCA28-272L-R03

DOCUMENT: SCD27725
 REV LETTER: D
 REV DATE: July 26,2016
 PAGE NO.: 1 OF 2

Over-Voltage Protection Device

Specification Status: Released

Marking:

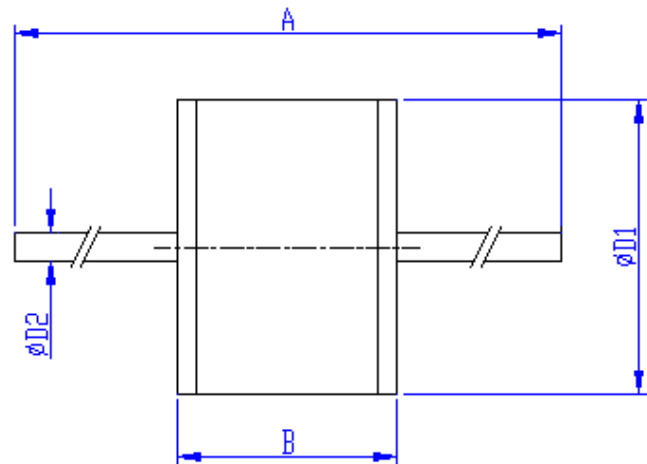
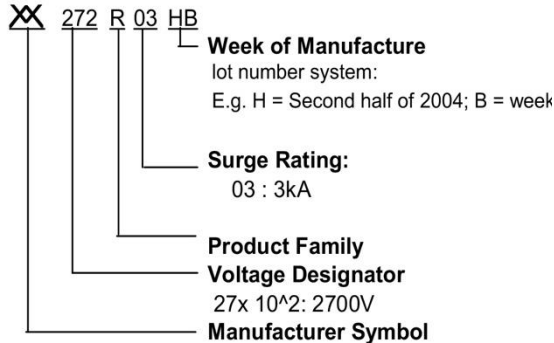


TABLE I. DIMENSIONS:

	A		B		D1		D2
	MIN	MAX	MIN	MAX	MIN	MAX	NOM
mm	58.0	66.0	5.8	6.2	7.8	8.2	0.8
in*	(2.28)	(2.60)	(0.23)	(0.24)	(0.31)	(0.32)	(0.03)

*Rounded off approximation

TABLE II. ELECTRICAL CHARACTERISTICS:

DC Sparkover Voltage	Impulse Sparkover Voltage	Insulation Resistance	Capacitance	Impulse Discharge Current		
				8/20µs		
@ 5,000V/s	@100V/µs	@1,000V _{DC}	@1MHz	300hits (150hits for each polarity)	10 hits (5hits for each polarity)	1hit
2700V ± 15%	≤3,700V	≥ 10,000MΩ	<1.0pF	100A	3kA	10kA

General Characteristics:

No Radioactive Materials
 Storage temperature: -40°C ... +90°C
 Operating temperature: -40°C ... +90°C (*)
 Electrode: Fe-Ni alloy, Ni plated
 Lead: Sn plated Copper

Note (*) Can work at 105°C. Please contact Littelfuse for more information

Agency Recognitions: UL1449 (File# E332226)
 Precedence: This specification takes precedence over documents referenced herein
 Effectivity: Reference documents shall be the issue in effect on the date of invitation for bid
 CAUTION: Operation beyond the rated voltage or current may result in rupture, electrical arcing or flame

Materials Information

ROHS Compliant

ELV Compliant

Directive 2002/95/EC Compliant

Directive 2000/53/EC Compliant



Expertise Applied | Answers Delivered

Gas Discharge Tube High Voltage Two Electrode Series

Over-Voltage Protection Device

PRODUCT: GTCA28-272L-R03

DOCUMENT: SCD27725

REV LETTER: D

REV DATE: July 26,2016

PAGE NO.: 2 OF 2

Information furnished is believed to be accurate and reliable. However, users should independently evaluate the suitability of and test each product selected for their own applications. Littelfuse products are not designed for, and shall not be used for, any purpose (including, without limitation, military, aerospace, medical, lifesaving, life-sustaining or nuclear facility applications, devices intended for surgical implant into the body, or any other application in which the failure or lack of desired operation of the product may result in personal injury, death, or property damage) other than those expressly set forth in applicable Littelfuse product documentation. Warranties granted by Littelfuse shall be deemed void for products used for any purpose not expressly set forth in applicable Littelfuse documentation. Littelfuse shall not be liable for any claims or damages arising out of products used in applications not expressly intended by Littelfuse as set forth in applicable Littelfuse documentation. The sale and use of Littelfuse products is subject to Littelfuse Terms and Conditions of Sale, unless otherwise agreed by Littelfuse.