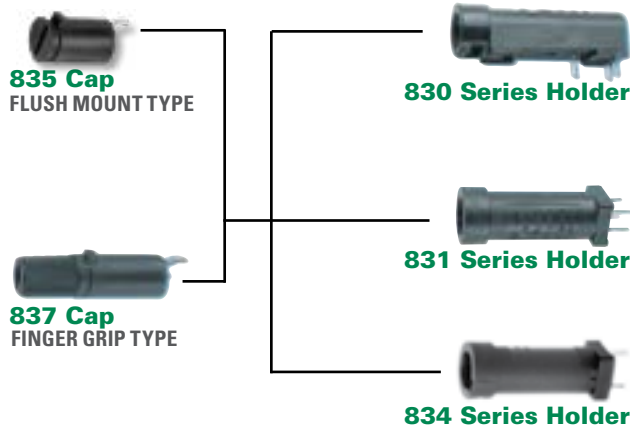
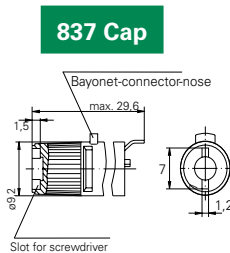
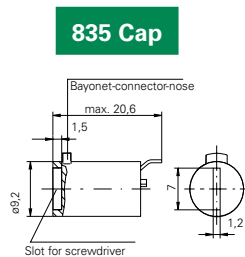
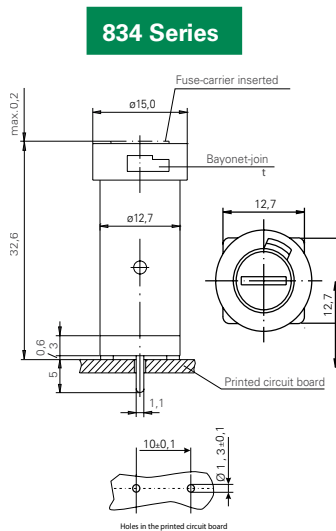
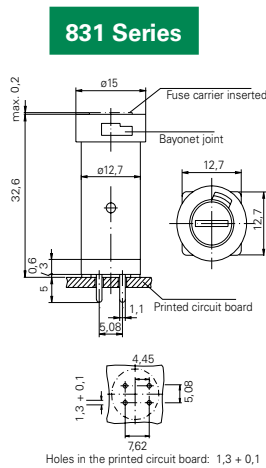
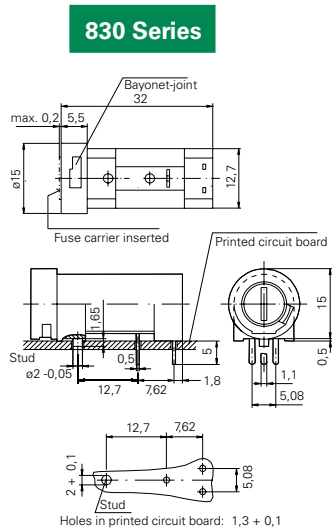


830/831/834 Series Circuit Board Mount Enclosed Fuseholders



**Product Dimensions (mm)**






**Product Characteristics**

	830 Series	831 Series	834 Series
<b>Compatible Fuse Types</b>	5x20 mm		
<b>Materials</b>	<b>Holder/Cap:</b> Black Thermoplastic, UL94 V-0 <b>Metal Parts:</b> Copper alloy, corrosion protected <b>Terminals:</b> Solderable, tinned		
<b>Electrical Data (23 °C)</b>	<b>Rated Voltage:</b> 250 V <b>Rated Current:</b> 6.3 A (VDE) 16 A (UL/CSA)		
<b>Mounting</b>	<b>Rated Power:</b> 1.6 W (VDE) (3) Solder pins 0.5 mm×1.1 mm and plastic stud. The pins spaced at 5.08 mm form a common connection.	<b>Rated Power:</b> 2.5 W (VDE) (4) Solder pins 0.5 mm×1.1 mm. The pins spaced at 5.08 mm form a common connection.	<b>Rated Power:</b> 2.5 W (2) Solder pins 0.5 mm×1.1 mm
<b>Ingress Protection and Category</b>	IP 40 (IEC 60529) PC2 (IEC 60127-6)		
<b>Operating Temperature*</b>	-25 °C to 70 °C		
<b>Climatic Test</b>	-25 °C/+70 °C/21 days (IEC 60068-2-1...3)		
<b>Stock Conditions</b>	+10 °C to +60 °C relative humidity ≤ 75% yearly average, without dew, maximum value for 30 days - 95%		
<b>Vibration Resistance</b>	24 cycles at 15 min. each (IEC 60068-2-6) 10–60 Hz at 0.75 mm amplitude 60–2000 Hz at 10g acceleration		
<b>Contact Resistance</b>	≤ 5 mΩ		
<b>Dielectric Strength</b>	> 1.5 kV		
<b>Impulse Voltage</b>	4 kV, 50 Hz, 1 min., dry		4 kV with 1.2 μs/50 μs
<b>Insulation Resistance</b>	> 10 <sup>3</sup> MΩ (500 VDC, 1 min.)		
<b>Solderability</b>	235 °C, 3 sec. (Wave) 350 °C, 1 sec. (Soldering Iron)		235 °C, 2 sec. (Soldering bath) (IEC 60068-2-20) 350 °C, 3 sec. (Soldering Iron) (IEC 60068-2-20)
<b>Soldering Heat Resistance</b>	260 °C, 5 sec. (IEC 60068-2-20)		260 °C, 5 sec. (Soldering bath) (IEC 60068-2-20)
<b>Minimum Cross Section</b>	Conducting path - 0.2mm <sup>2</sup>		
<b>Marking</b>	830, 250 V, Approvals	831, 250 V, Approvals	834, 250 V, Approvals
<b>Unit Weight</b>	4.4 g (Holder) / 1.6 g (835) / 2.2 g (837)	4.1 g (Holder) / 1.6 g (835) / 2.2 g (837)	3.5 g (834)/1.6 g (835)/2.2 g (837)

\* Refer to [Fuseology](#) for information on proper fuseholder re-rating.

## Agency Approval

Agency	Agency File/Certificate Number		
	830 Series	831 Series	834 Series
	120623	123441	6913
	E70164		
	47574		

## Ordering Information

Ordering PN	Description	Packaging
Fuseholder		
83000000005	ACS 5x20 mm Fuseholder 830 Series for 250 V	Bulk/100 pcs
83100000005	ACS 5x20 mm Fuseholder 831 Series for 250 V	Bulk/100 pcs
83400000005	ACS 5x20 mm Fuseholder 834 Series for 250 V	Bulk/100 pcs
Fuseholder Cap		
83500000005	ACS 5x20 mm Fuseholder CAP 835 Series	Bulk/100 pcs
83700000005	ACS 5x20 mm Fuseholder CAP 837 Series	Bulk/100 pcs

## Additional Information



**Datasheet**  
830 Series



**Datasheet**  
831 Series



**Datasheet**  
834 Series



**Resources**  
830 Series



**Resources**  
831 Series



**Resources**  
834 Series



**Samples**  
830 Series



**Samples**  
831 Series



**Samples**  
834 Series

**Disclaimer Notice** - Information furnished is believed to be accurate and reliable. However, users should independently evaluate the suitability of and test each product selected for their own applications. Littelfuse products are not designed for, and may not be used in, all applications. Read complete Disclaimer Notice at: [www.littelfuse.com/disclaimer-electronics](http://www.littelfuse.com/disclaimer-electronics).