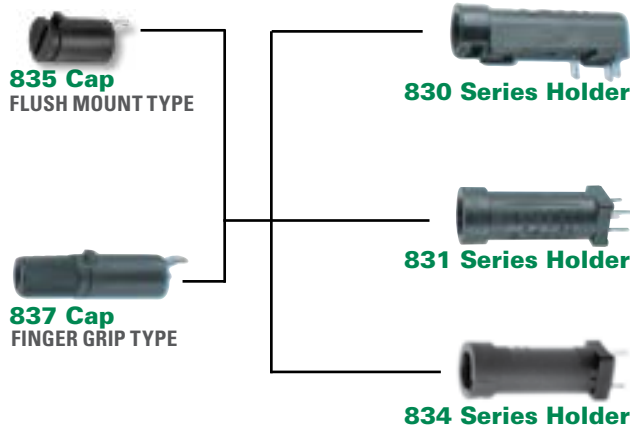
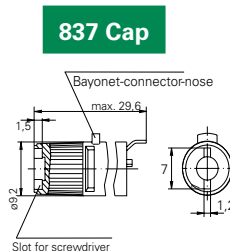
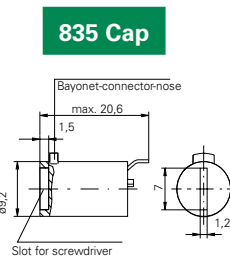
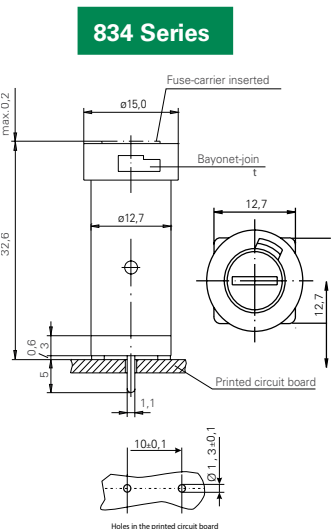
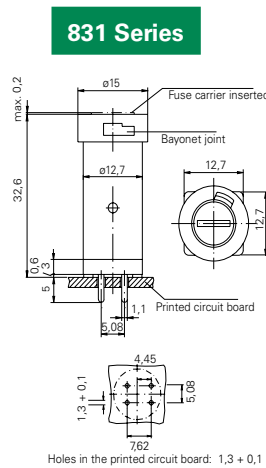
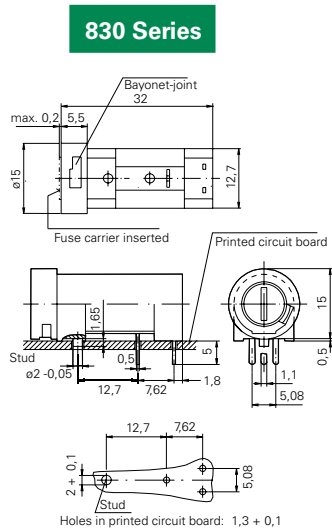


830/831/834 Series Circuit Board Mount Enclosed Fuseholders



**Product Dimensions (mm)**






**Product Characteristics**

|  | 830 Series  | 831 Series   | 834 Series  |
|--|---|--|---|
| <b>Compatible Fuse Types</b>           | 5x20 mm   |  |   |
| <b>Materials</b>                       | <b>Holder/Cap:</b> Black Thermoplastic, UL94 V-0<br><b>Metal Parts:</b> Copper alloy, corrosion protected<br><b>Terminals:</b> Solderable, tinned |  |   |
| <b>Electrical Data (23 °C)</b>         | <b>Rated Voltage:</b> 250 V<br><b>Rated Current:</b> 6.3 A (VDE) 16 A (UL/CSA)  |  |   |
| <b>Rated Power:</b>                    | 1.6 W (VDE)   | 2.5 W (VDE)  | 2.5 W   |
| <b>Mounting</b>                        | (3) Solder pins<br>0.5 mm×1.1 mm<br>and plastic stud.<br>The pins spaced at 5.08 mm form a common connection.                                     | (4) Solder pins<br>0.5 mm×1.1 mm<br>The pins spaced at 5.08 mm form a common connection. | (2) Solder pins<br>0.5 mm×1.1 mm  |
| <b>Ingress Protection and Category</b> | IP 40 (IEC 60529) PC2 (IEC 60127-6)   |  |   |
| <b>Operating Temperature*</b>          | -25 °C to 70 °C   |  |   |
| <b>Climatic Test</b>                   | -25 °C/+70 °C/21 days (IEC 60068-2-1...3)   |  |   |
| <b>Stock Conditions</b>                | +10 °C to +60 °C relative humidity ≤ 75% yearly average, without dew, maximum value for 30 days - 95%   |  |   |
| <b>Vibration Resistance</b>            | 24 cycles at 15 min. each (IEC 60068-2-6) 10–60 Hz at 0.75 mm amplitude 60–2000 Hz at 10g acceleration  |  |   |
| <b>Contact Resistance</b>              | ≤ 5 mΩ  |  |   |
| <b>Dielectric Strength</b>             | > 1.5 kV  |  |   |
| <b>Impulse Voltage</b>                 | 4 kV, 50 Hz, 1 min., dry  |  | 4 kV with 1,2 μs/50 μs  |
| <b>Insulation Resistance</b>           | > 10 <sup>3</sup> MΩ (500 VDC, 1 min.)  |  |   |
| <b>Solderability</b>                   | 235 °C, 3 sec. (Wave) 350 °C, 1 sec. (Soldering Iron)   |  | 235 °C, 2 sec. (Soldering bath) (IEC 60068-2-20) 350 °C, 3 sec. (Soldering Iron) (IEC 60068-2-20) |
| <b>Soldering Heat Resistance</b>       | 260 °C, 5 sec. (IEC 60068-2-20)   |  | 260 °C, 5 sec. (Soldering bath) (IEC 60068-2-20)  |
| <b>Minimum Cross Section</b>           | Conducting path - 0.2mm <sup>2</sup>  |  |   |
| <b>Marking</b>                         | 830, 250 V, Approvals   | 831, 250 V, Approvals  | 834, 250 V, Approvals   |
| <b>Unit Weight</b>                     | 4.4 g (Holder) / 1.6 g (835) / 2.2 g (837)  | 4.1 g (Holder) / 1.6 g (835) / 2.2 g (837)   | 3.5 g (834)/1,6 g (835)/2,2 g (837)   |

\* Refer to [Fuseology](#) for information on proper fuseholder re-rating.

## Agency Approval

| Agency  | Agency File/Certificate Number |            |            |
|---|--------------------------------|------------|------------|
|   | 830 Series                     | 831 Series | 834 Series |
|  | 120623                         | 123441     | 6913       |
|  | E70164                         |            |            |
|  | 47574                          |            |            |

## Ordering Information

| Ordering PN    | Description                                 | Packaging    |
|----------------|---|--------------|
| Fuseholder     |   |              |
| 83000000005    | ACS 5x20 mm Fuseholder 830 Series for 250 V | Bulk/100 pcs |
| 83100000005    | ACS 5x20 mm Fuseholder 831 Series for 250 V | Bulk/100 pcs |
| 83400000005    | ACS 5x20 mm Fuseholder 834 Series for 250 V | Bulk/100 pcs |
| Fuseholder Cap |   |              |
| 83500000005    | ACS 5x20 mm Fuseholder CAP 835 Series       | Bulk/100 pcs |
| 83700000005    | ACS 5x20 mm Fuseholder CAP 837 Series       | Bulk/100 pcs |

## Additional Information



**Datasheet**  
830 Series



**Datasheet**  
831 Series



**Datasheet**  
834 Series



**Resources**  
830 Series



**Resources**  
831 Series



**Resources**  
834 Series



**Samples**  
830 Series



**Samples**  
831 Series



**Samples**  
834 Series