

## LFFB SERIES LIMITER BLOCK/LHFB INLINE HOLDER

### LFFB



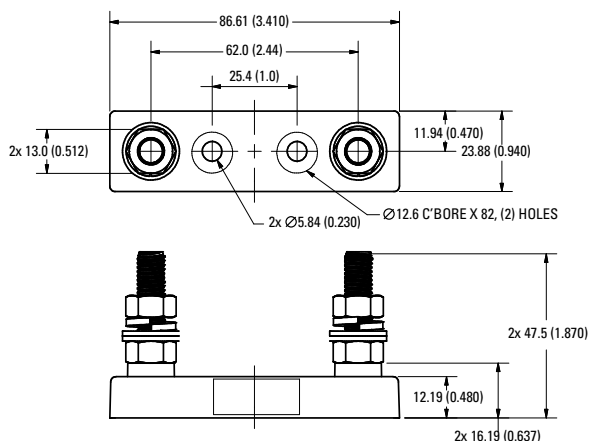
### Description

The LFFB003 fuseblock is designed to accept CNN and CNL style limiter fuses. Applications include but are not limited to forklifts, golf carts and other low-voltage battery equipment. It is specifically designed for the HAZGARD™ fuse but can be used for CNN/CNL fuses as well.

### Specifications

**Voltage Rating:** 150 VAC/VDC  
**Ampere Rating:** 800 A  
**Approvals:** UL Recognized (File No. E14721)  
**Construction:** Base—Thermoset  
 Studs—Steel Zinc Plated

### Dimensions in mm [inches]



### Ordering Information

CATALOG NUMBER	SYSTEM NUMBER
LFFB003	LFFB0003Z

### Web Resources

Sample requests, downloadable CAD drawings and other technical information: [www.littelfuse.com/lffb](http://www.littelfuse.com/lffb)

### Recommended Fuses

CNL/CNN Cable limiter fuses  
 HAZGARD fuse

### LHFB



### Description

The Littelfuse LHFB waterproof in-line fuseholder is ideal for harsh environments. The LHFB holder features the voltage and ampere rating molded into the body, along with a wire strip gauge. It also withstands solvents and vibration.

### Features/Benefits

- Waterproof in-line fuseholder for harsh environments
- One-piece molded thermoplastic body
- Bright green color offers high visibility
- Voltage and ampere rating molded into body

### Specifications

**Voltage Rating:** 32 V  
**Ampere Rating:** 30 A  
**Fuses:** 1/4" to 1 1/4" fuses  
**Wire Size:** Accepts #16 to #18 gauge wire  
**Operating Temperature:** -20° C to 80° C

### Installation Instructions

1. Thread wire through fuseholder body
2. Strip wire insulation per strip gauge
3. Crimp wire to fuse clip\*
4. Pull wire through and seat fuse clip in the holder body
5. Insert desired fuse type and rating
6. Snap holder body together

\*Recommended crimping tools: Thomas & Betts No. WT-111M  
 Note: Wire is not supplied with the holder.

### Web Resources

Sample requests, downloadable CAD drawings and other technical information: [www.littelfuse.com/lhfb](http://www.littelfuse.com/lhfb)