

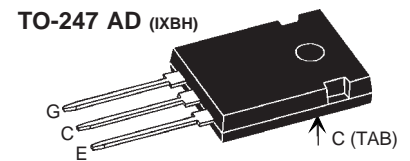
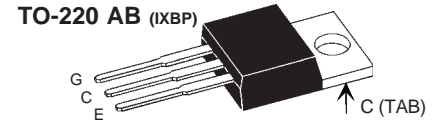
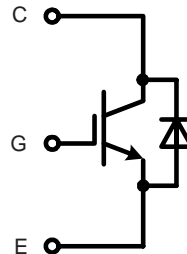
# High Voltage BIMOSFET™

**IXBP 5N160 G**  
**IXBH 5N160 G**

**$I_{C25}$  = 5.7 A**  
 **$V_{CES}$  = 1600 V**  
 **$V_{CE(sat)}$  = 4.9 V**  
 **$t_f$  = 70 ns**

Monolithic Bipolar MOS Transistor

Preliminary data sheet



A = Anode, C = Cathode, TAB = Cathode

IGBT		
Symbol	Conditions	Maximum Ratings
$V_{CES}$	$T_{VJ} = 25^{\circ}\text{C}$ to $150^{\circ}\text{C}$	1600 V
$V_{GES}$		$\pm 20$ V
$I_{C25}$	$T_C = 25^{\circ}\text{C}$	5.7 A
$I_{C90}$	$T_C = 90^{\circ}\text{C}$	3.5 A
$I_{CM}$ $V_{CEK}$	$V_{GE} = 10/0$ V; $R_G = 47 \Omega$ ; $T_{VJ} = 125^{\circ}\text{C}$ RBSOA, Clamped inductive load; $L = 100 \mu\text{H}$	6 A
		$0.8V_{CES}$
$P_{tot}$	$T_C = 25^{\circ}\text{C}$	68 W

## Features

- High Voltage BIMOSFET™
  - substitute for high voltage MOSFETs with significantly lower voltage drop
  - MOSFET compatible control 10 V turn on gate voltage
  - fast switching for high frequency operation
  - reverse conduction capability
- industry standard package
  - TO-220AB
  - TO-247AD
- epoxy meets UL94V-0

Symbol	Conditions	Characteristic Values ( $T_{VJ} = 25^{\circ}\text{C}$ , unless otherwise specified)			
		min.	typ.	max.	
$V_{CE(sat)}$	$I_C = 3$ A; $V_{GE} = 15$ V; $T_{VJ} = 25^{\circ}\text{C}$ $T_{VJ} = 125^{\circ}\text{C}$		4.9 5.6	V V	
$V_{GE(th)}$	$I_C = 0.3$ mA; $V_{GE} = V_{CE}$	3.5		5.5 V	
$I_{CES}$	$V_{GE} = 0$ V; $V_{CE} = V_{CES}$ ; $T_{VJ} = 25^{\circ}\text{C}$ $V_{CE} = 0.8V_{CES}$ ; $T_{VJ} = 125^{\circ}\text{C}$		50	150 $\mu\text{A}$ $\mu\text{A}$	
$I_{GES}$	$V_{CE} = 0$ V; $V_{GE} = \pm 20$ V			100 nA	
$t_{d(on)}$ $t_r$ $t_{d(off)}$ $t_f$	Inductive load, $T_{VJ} = 125^{\circ}\text{C}$ $V_{CE} = 960$ V; $I_C = 3$ A $V_{GE} = 10/0$ V; $R_G = 47 \Omega$		140 200 120 70	ns ns ns ns	
$C_{ies}$		$V_{CE} = 25$ V; $V_{GE} = 0$ V; $f = 1$ MHz		325	pF
$Q_{Gon}$		$V_{CE} = 600$ V; $V_{GE} = 10$ V; $I_C = 3$ A		26	nC
$V_F$		(reverse conduction); $I_F = 3$ A		6	V
$R_{thJC}$				1.85 K/W	

## Applications

- switched mode power supplies
- DC-DC converters
- resonant converters
- lamp ballasts
- laser generators, x ray generators

IXYS reserves the right to change limits, test conditions and dimensions.

© 2003 IXYS All rights reserved

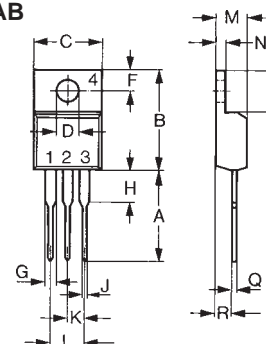
IXYS Semiconductor GmbH  
Edisonstr. 15, D-68623 Lampertheim  
Phone: +49-6206-503-0, Fax: +49-6206-503627

IXYS Corporation  
3540 Bassett Street, Santa Clara CA 95054  
Phone: (408) 982-0700, Fax: 408-496-0670

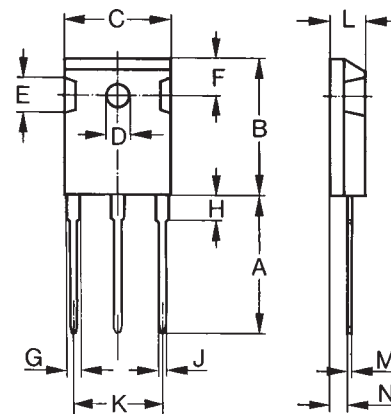
**Component**

Symbol	Conditions	Maximum Ratings	
$T_{VJ}$		-55...+150	°C
$T_{stg}$		-55...+125	°C
$M_D$	mounting torque	(TO-220)	0.6 Nm
		(TO-247)	1.2 Nm

Symbol	Conditions	Characteristic Values		
		min.	typ.	max.
$R_{thCH}$	with heatsink compound		0.25	K/W
Weight	(TO-220)		2	g
	(TO-247)		6	g

**Dimensions**
**TO-220 AB**


Dim.	Millimeter		Inches	
	Min.	Max.	Min.	Max.
A	12.70	13.97	0.500	0.550
B	14.73	16.00	0.580	0.630
C	9.91	10.66	0.390	0.420
D	3.54	4.08	0.139	0.161
E	5.85	6.85	0.230	0.270
F	2.54	3.18	0.100	0.125
G	1.15	1.65	0.045	0.065
H	2.79	5.84	0.110	0.230
J	0.64	1.01	0.025	0.040
K	2.54	BSC	0.100	BSC
M	4.32	4.82	0.170	0.190
N	1.14	1.39	0.045	0.055
Q	0.35	0.56	0.014	0.022
R	2.29	2.79	0.090	0.110

**TO-247 AD**


Dim.	Millimeter		Inches	
	Min.	Max.	Min.	Max.
A	19.81	20.32	0.780	0.800
B	20.80	21.46	0.819	0.845
C	15.75	16.26	0.610	0.640
D*	3.55	3.65	0.140	0.144
E	4.32	5.49	0.170	0.216
F	5.4	6.2	0.212	0.244
G	1.65	2.13	0.065	0.084
H	-	4.5	-	0.177
J	1.0	1.4	0.040	0.055
K	10.8	11.0	0.426	0.433
L	4.7	5.3	0.185	0.209
M	0.4	0.8	0.016	0.031
N	1.5	2.49	0.087	0.102



---

Disclaimer Notice - Information furnished is believed to be accurate and reliable. However, users should independently evaluate the suitability of and test each product selected for their own applications. Littelfuse products are not designed for, and may not be used in, all applications. Read complete Disclaimer Notice at [www.littelfuse.com/disclaimer-electronics](http://www.littelfuse.com/disclaimer-electronics).