

# Rectifier Diode

## Type W0428##250-320

Development Type No.: WX171##250-320

**Absolute Maximum Ratings**

	VOLTAGE RATINGS	MAXIMUM LIMITS	UNITS
V <sub>RRM</sub>	Repetitive peak reverse voltage, (note 1)	2500-3200	V
V <sub>RSM</sub>	Non-repetitive peak reverse voltage, (note 1)	2600-3300	V

	OTHER RATINGS	MAXIMUM LIMITS	UNITS
I <sub>F(AV)M</sub>	Maximum average forward current, T <sub>case</sub> =55°C, (note 2)	428	A
I <sub>F(AV)M</sub>	Maximum average forward current. T <sub>case</sub> =70°C, (note 2)	380	A
I <sub>F(AV)M</sub>	Maximum average forward current. T <sub>case</sub> =100°C, (note 2)	271	A
I <sub>F(RMS)</sub>	Nominal RMS forward current, T <sub>case</sub> =100°C, (note 2)	425	A
I <sub>F(RMS)</sub>	Nominal RMS forward current, T <sub>case</sub> =25°C, (note 2)	809	A
I <sub>F(d.c.)</sub>	D.C. forward current, T <sub>case</sub> =25°C	675	A
I <sub>FSM</sub>	Peak non-repetitive surge t <sub>p</sub> =10ms, V <sub>rm</sub> =60%V <sub>RRM</sub> , (note 3)	5500	A
I <sub>FSM2</sub>	Peak non-repetitive surge t <sub>p</sub> =10ms, V <sub>rm</sub> ≤10V, (note 3)	6050	A
I <sup>2</sup> t	I <sup>2</sup> t capacity for fusing t <sub>p</sub> =10ms, V <sub>rm</sub> =60%V <sub>RRM</sub> , (note 3)	151×10 <sup>3</sup>	A <sup>2</sup> s
I <sup>2</sup> t	I <sup>2</sup> t capacity for fusing t <sub>p</sub> =10ms, V <sub>rm</sub> ≤10V, (note 3)	183×10 <sup>3</sup>	A <sup>2</sup> s
T <sub>j op</sub>	Operating temperature range	-40 to +150	°C
T <sub>stg</sub>	Storage temperature range	-40 to +150	°C

Notes:-

- 1) De-rating factor of 0.13% per °C is applicable for T<sub>j</sub> below 25°C.
- 2) Single phase; 50Hz, 180° half-sinewave.
- 3) Half-sinewave, 150°C T<sub>j</sub> initial.

### Characteristics

	PARAMETER	MIN.	TYP.	MAX.	TEST CONDITIONS (Note 1)	UNITS
V <sub>FM</sub>	Maximum peak forward voltage	-	-	1.60	I <sub>TM</sub> =900A	V
V <sub>FM</sub>	Maximum peak forward voltage	-	-	1.80	I <sub>TM</sub> =1180A	V
V <sub>T0</sub>	Threshold voltage	-	-	0.926		V
r <sub>T</sub>	Slope resistance	-	-	0.739		mΩ
I <sub>R<sub>RRM</sub></sub>	Peak reverse current	-	-	15	Rated V <sub>R<sub>RRM</sub></sub>	mA
Q <sub>rr</sub>	Recovered charge	-	1000	-		μC
Q <sub>ra</sub>	Recovered charge, 50% chord	-	700	900	I <sub>TM</sub> =100A, t <sub>P</sub> =500μs, di/dt=10A/μs, V <sub>r</sub> =50V	μC
I <sub>rr</sub>	Reverse recovery current	-	75	-		A
t <sub>rr</sub>	Reverse recovery time, 50% chord	-	19	-		μs
R <sub>thJC</sub>	Thermal resistance, junction to case	-	-	0.13		K/W
R <sub>thCK</sub>	Thermal resistance, case to heatsink	-	-	0.04		K/W
F	Mounting torque	24	-	30		Nm
W <sub>t</sub>	Weight	-	175	-	Outline E	g
		-	250	-	Outline F	

Notes:-

1) Unless otherwise indicated T<sub>j</sub>=150°C.

## Notes on Ratings and Characteristics

### 1.0 Voltage Grade Table

Voltage Grade	$V_{RRM}$ V	$V_{RSM}$ V	$V_R$ DC V
25	2500	2600	1500
28	2800	2900	1650
32	3200	3300	1850

### 2.0 Extension of Voltage Grades

This report is applicable to other voltage grades when supply has been agreed by Sales/Production.

### 3.0 De-rating Factor

A blocking voltage de-rating factor of 0.13%/°C is applicable to this device for  $T_j$  below 25°C.

### 4.0 Snubber Components

When selecting snubber components, care must be taken not to use excessively large values of snubber capacitor or excessively small values of snubber resistor. Such excessive component values may lead to device damage due to the large resultant values of snubber discharge current. If required, please consult the factory for assistance.

### 5.0 Computer Modelling Parameters

#### 5.1 Device Dissipation Calculations

$$I_{AV} = \frac{-V_{T0} + \sqrt{V_{T0}^2 + 4 \cdot ff^2 \cdot r_T \cdot W_{AV}}}{2 \cdot ff^2 \cdot r_T} \quad \text{and:} \quad W_{AV} = \frac{\Delta T}{R_{th}}$$

$$\Delta T = T_{j\max} - T_K$$

Where  $V_{T0}=0.926V$ ,  $r_T=0.739m\Omega$ ,

$R_{th}$  = Supplementary thermal impedance, see table below and

$ff$  = Form factor, see table below.

Supplementary Thermal Impedance				
Conduction Angle	6 phase (60°)	3 phase (120°)	½ wave (180°)	d.c.
Square wave	0.174	0.153	0.143	0.130
Sine wave	0.172	0.153	0.149	

Form Factors				
Conduction Angle	6 phase (60°)	3 phase (120°)	½ wave (180°)	d.c.
Square wave	2.449	1.732	1.414	1
Sine wave	2.778	1.879	1.57	

### 5.2 Calculating $V_F$ using ABCD Coefficients

The on-state characteristic  $I_F$  vs.  $V_F$ , on page 6 is represented in two ways;

- (i) the well established  $V_{T0}$  and  $r_T$  tangent used for rating purposes and
- (ii) a set of constants A, B, C, D, forming the coefficients of the representative equation for  $V_F$  in terms of  $I_F$  given below:

$$V_F = A + B \cdot \ln(I_F) + C \cdot I_F + D \cdot \sqrt{I_F}$$

The constants, derived by curve fitting software, are given below for both hot and cold characteristics. The resulting values for  $V_F$  agree with the true device characteristic over a current range, which is limited to that plotted.

25°C Coefficients		150°C Coefficients	
A	0.7795642	A	0.6340984
B	0.04590695	B	0.04112559
C	$4.64903 \times 10^{-4}$	C	$5.72979 \times 10^{-4}$
D	$2.19035 \times 10^{-3}$	D	$5.790022 \times 10^{-3}$

### 6.0 Reverse recovery ratings

- (i)  $Q_{rr}$  is based on 50%  $I_{RM}$  chord as shown in Fig. 1

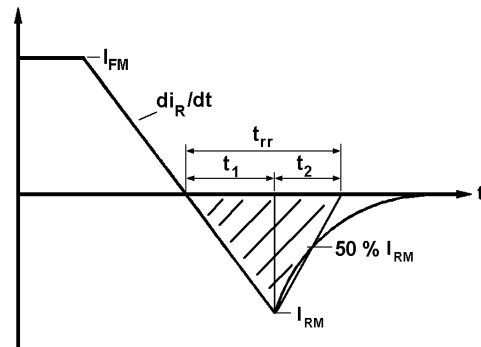


Fig. 1

- (ii)  $Q_{rr}$  is based on a  $150\mu s$  integration time i.e.

$$Q_{rr} = \int_0^{150\mu s} i_{rr} \cdot dt$$

- (iii)

$$K \text{ Factor} = \frac{t_1}{t_2}$$

**Curves**

Figure 1 - Forward characteristics of Limit device

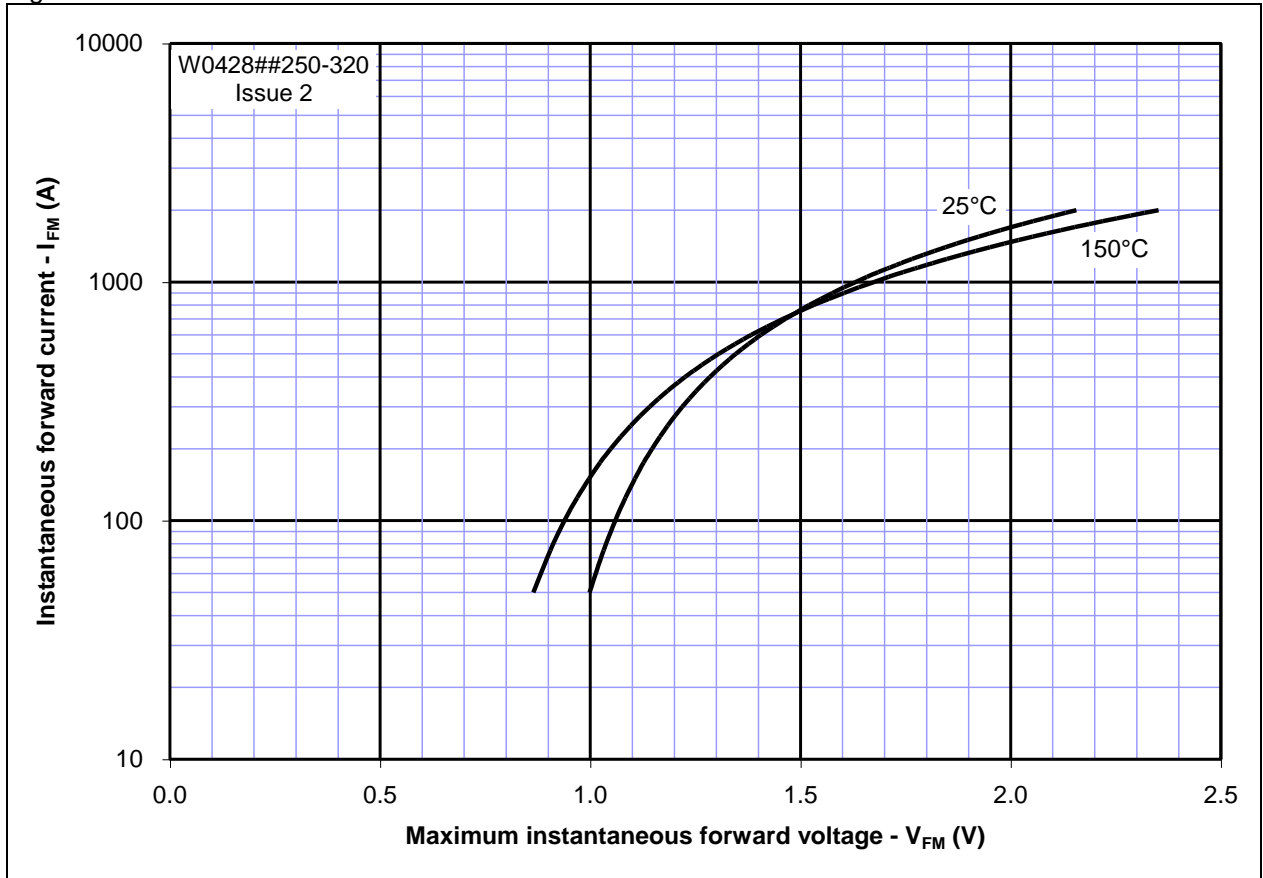


Figure 2 - Maximum surge and  $I^2t$  ratings

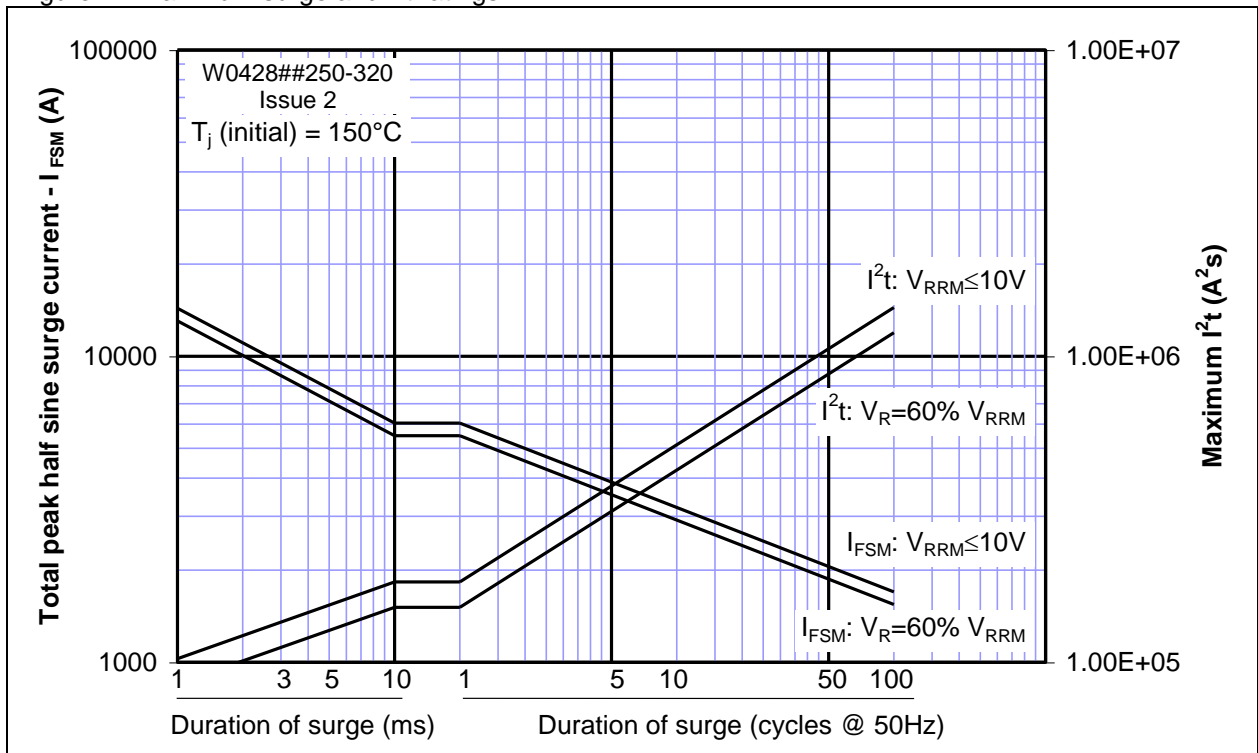


Figure 3 – Total recovered charge,  $Q_{rr}$

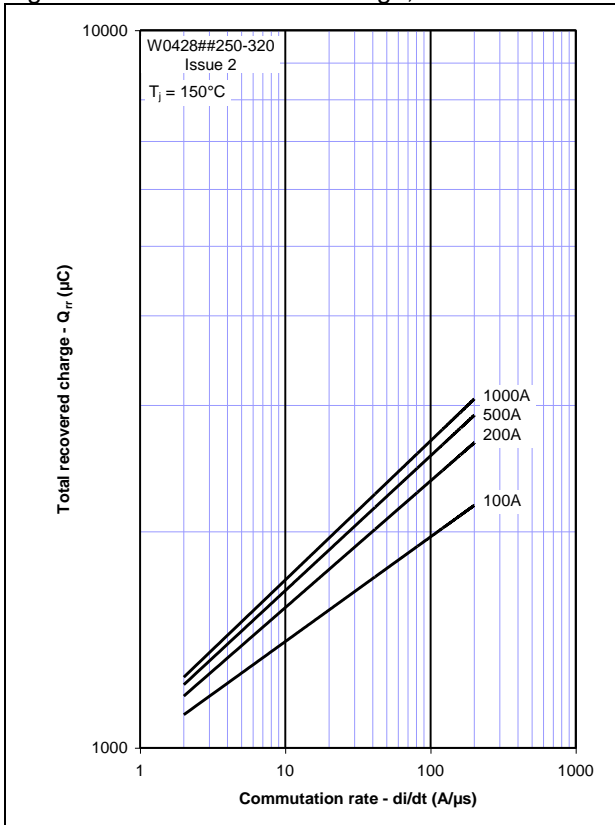


Figure 4 – Recovered charge,  $Q_{ra}$  (50% chord)

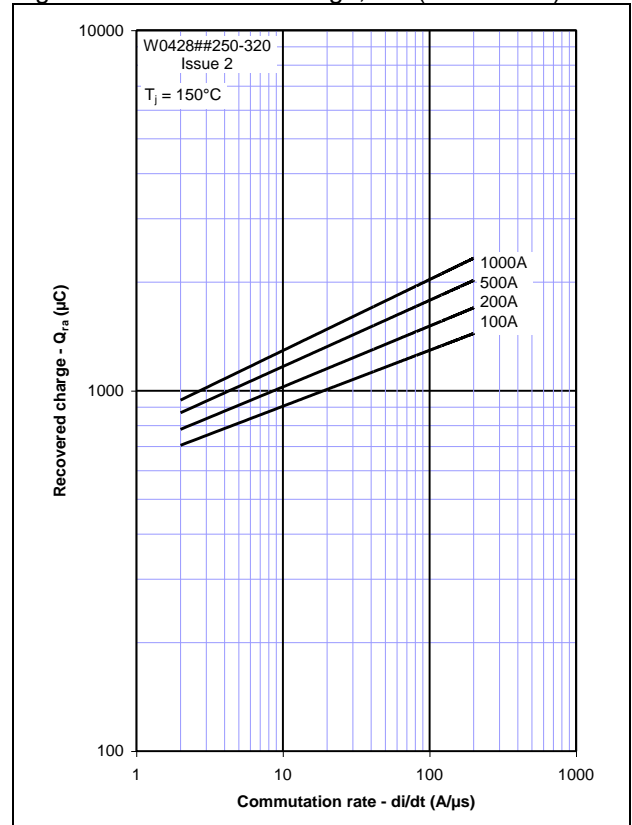


Figure 5 – Peak reverse recovery current,  $I_{rm}$

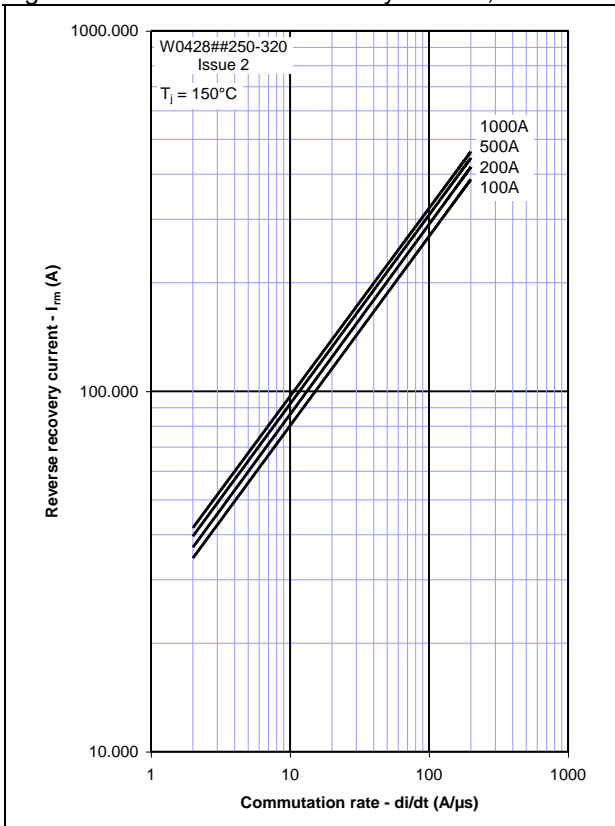


Figure 6 – Maximum recovery time,  $t_{rr}$  (50% chord)

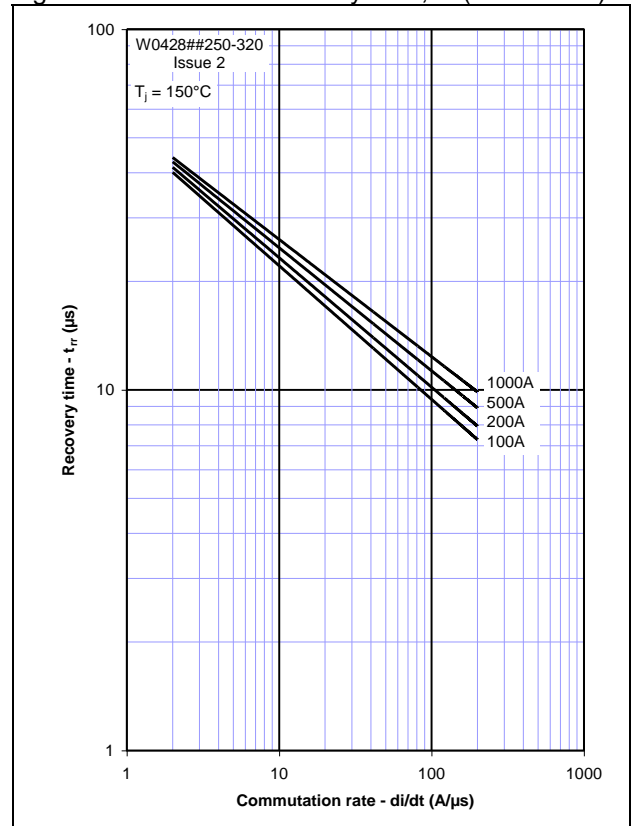


Figure 7 – Forward current vs. Power dissipation

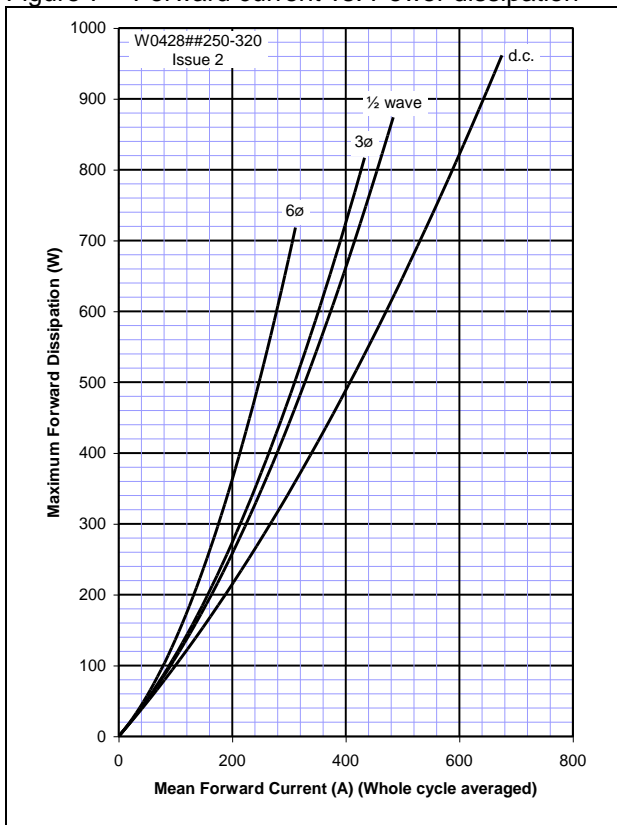


Figure 8 – Forward current vs. Heatsink temperature

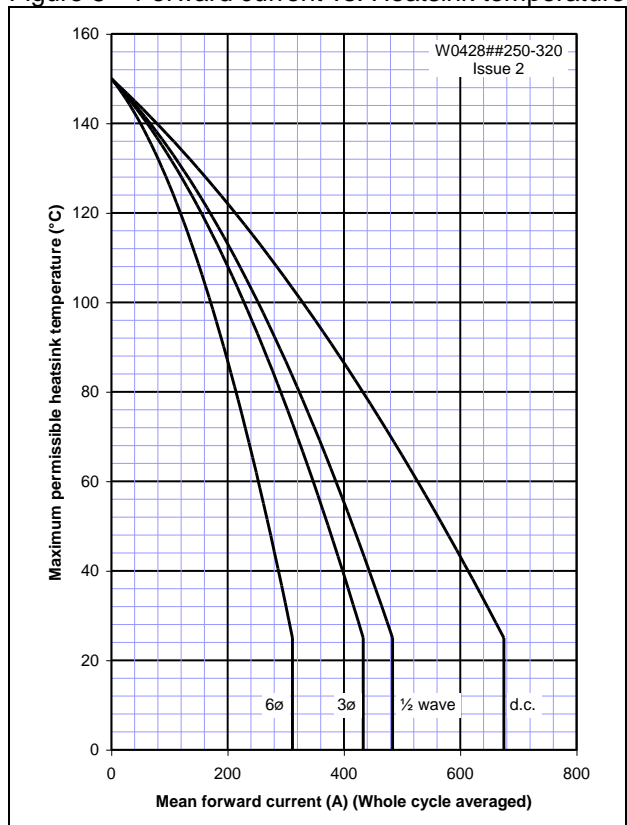
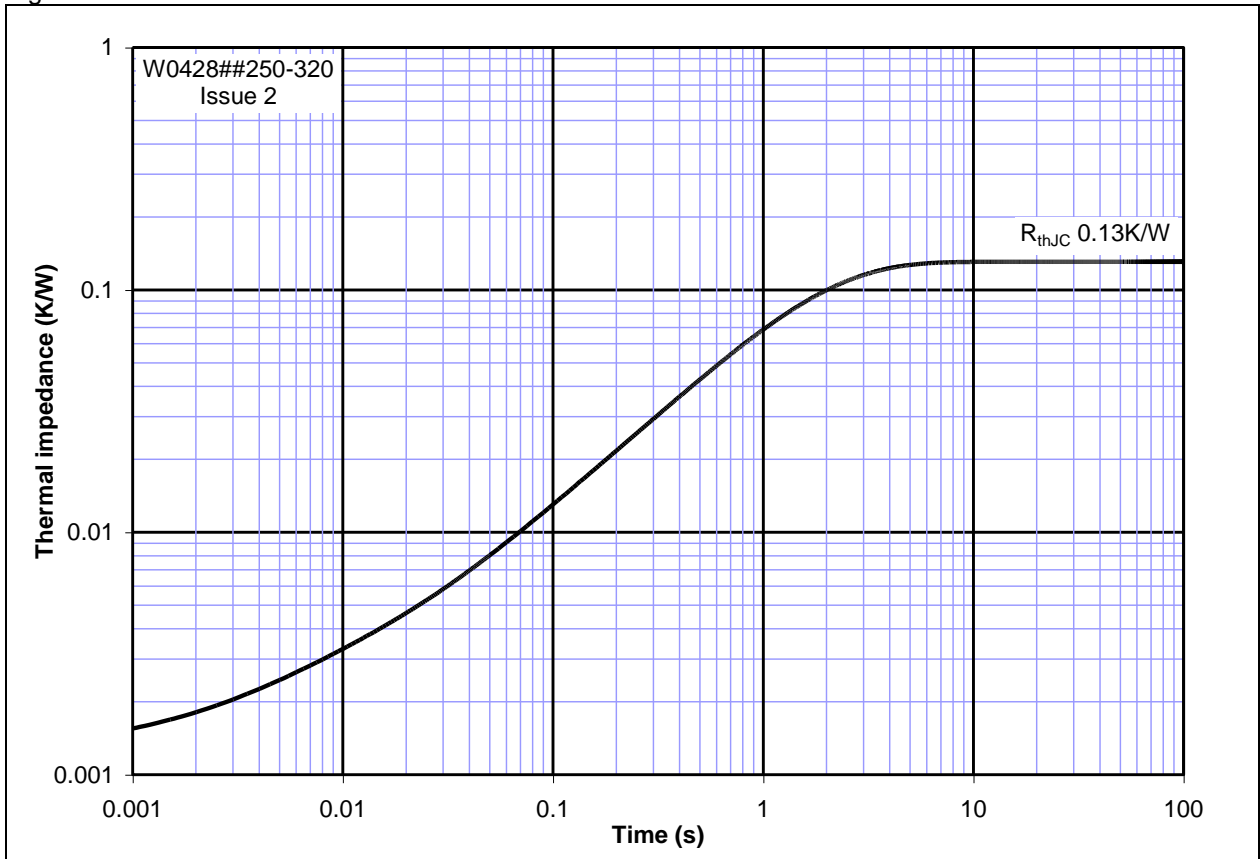
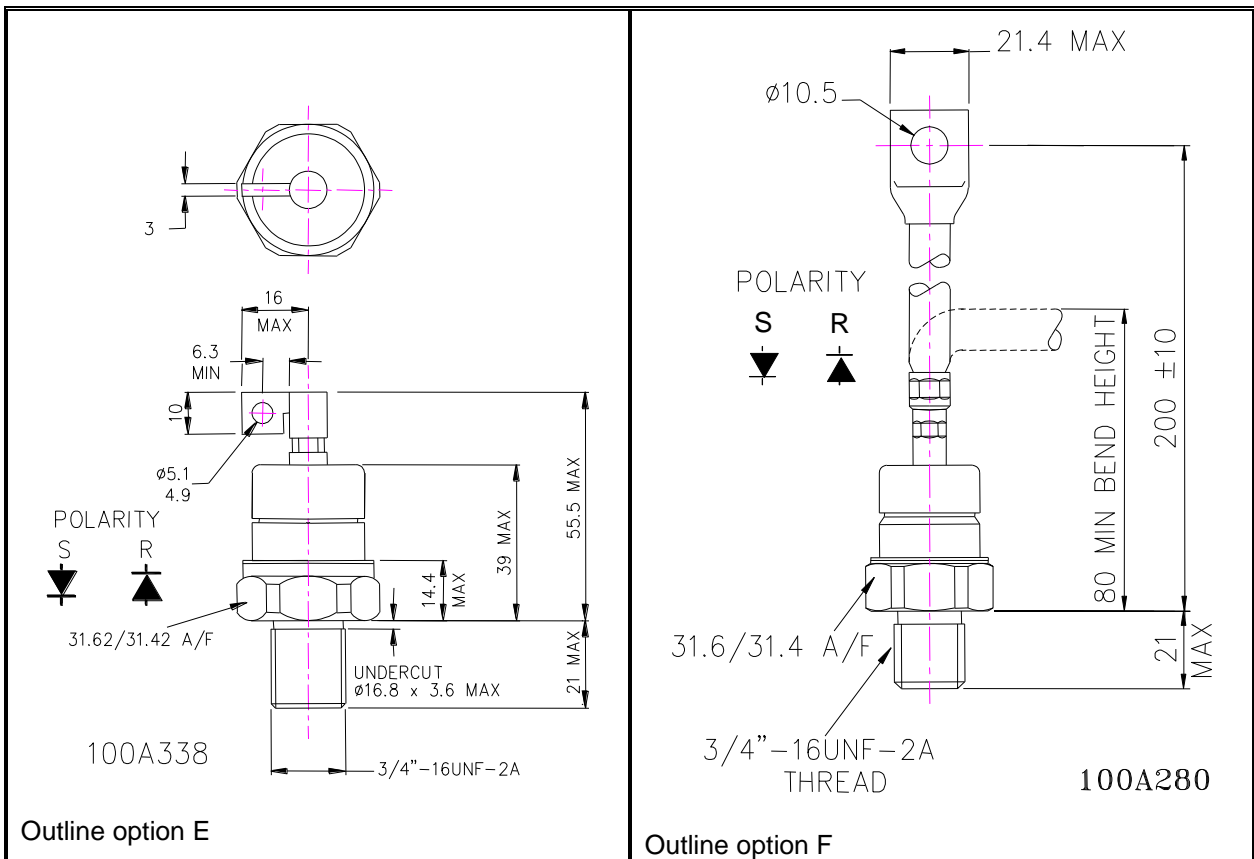


Figure 9 – Transient thermal resistance



**Outline Drawing & Ordering Information**



Outline option E

Outline option F

**ORDERING INFORMATION**

(Please quote 13 digit code as below)

W0428	#	#	♦♦	0
Fixed Type Code	Polarity code R = Base Anode S = Base Cathode	Outline code E=3/4" HV ceramic stud + lug F=3/4" HV ceramic stud	Voltage Code V <sub>DRM</sub> /100 25-32	Fixed code

Typical order code: W0428SE250 – 2500V V<sub>RRM</sub>, cathode base, 3/4" high voltage stud, ceramic housing with lug

**IXYS Semiconductor GmbH**  
Edisonstraße 15  
D-68623 Lampertheim  
Tel: +49 6206 503-0  
Fax: +49 6206 503-627  
E-mail: [marcom@ixys.de](mailto:marcom@ixys.de)



**IXYS UK Westcode Ltd**  
Langley Park Way, Langley Park,  
Chippenham, Wiltshire, SN15 1GE.  
Tel: +44 (0)1249 455500  
Fax: +44 (0)1249 659448  
E-mail: [sales@ixysuk.com](mailto:sales@ixysuk.com)

**IXYS Corporation**  
1590 Buckeye Drive  
Milpitas CA 95035 7418 USA  
Tel: +1 (408) 547 9000  
Fax: +1 (408) 496 0670  
E-mail: [sales@ixys.net](mailto:sales@ixys.net)

[www.ixysuk.com](http://www.ixysuk.com)

[www.ixys.com](http://www.ixys.com)

**IXYS Long Beach Inc**  
2500 Mira Mar Ave, Long Beach  
CA 90815  
Tel: +1 (562) 296 6584  
Fax: +1 (562) 296 6585  
E-mail: [service@ixyslongbeach.com](mailto:service@ixyslongbeach.com)

The information contained herein is confidential and is protected by Copyright. The information may not be used or disclosed except with the written permission of and in the manner permitted by the proprietors IXYS UK Westcode Ltd.

© IXYS UK Ltd.

In the interest of product improvement, IXYS UK Westcode Ltd reserves the right to change specifications at any time without prior notice.

Devices with a suffix code (2-letter, 3-letter or letter/digit/letter combination) added to their generic code are not necessarily subject to the conditions and limits contained in this report.





---

Disclaimer Notice - Information furnished is believed to be accurate and reliable. However, users should independently evaluate the suitability of and test each product selected for their own applications. Littelfuse products are not designed for, and may not be used in, all applications. Read complete Disclaimer Notice at [www.littelfuse.com/disclaimer-electronics](http://www.littelfuse.com/disclaimer-electronics).