



Rectifier Diode

Types W7395ED450 to W7395ED480

Development part number WX566EC480

Absolute Maximum Ratings

	VOLTAGE RATINGS	MAXIMUM LIMITS	UNITS
V _{RRM}	Repetitive peak reverse voltage, (note 1)	4500-4800	V
V _{RSM}	Non-repetitive peak reverse voltage, (note 1)	4600-4900	V

	OTHER RATINGS	MAXIMUM LIMITS	UNITS
I _{F(AV)M}	Maximum average forward current, T _{sink} =55°C, (note 2)	7395	A
I _{F(AV)M}	Maximum average forward current. T _{sink} =100°C, (note 2)	5249	A
I _{F(AV)M}	Maximum average forward current. T _{sink} =100°C, (note 3)	2830	A
I _{F(RMS)M}	Nominal RMS forward current, T _{sink} =25°C, (note 2)	13480	A
I _{F(d.c.)}	D.C. forward current, T _{sink} =25°C, (note 4)	12230	A
I _{FSM}	Peak non-repetitive surge t _p =10ms, V _{rm} =60%V _{RRM} , (note 5)	73	kA
I _{FSM2}	Peak non-repetitive surge t _p =10ms, V _{rm} ≤10V, (note 5)	80	kA
I ² t	I ² t capacity for fusing t _p =10ms, V _{rm} =60%V _{RRM} , (note 5)	26.65×10 ⁶	A ² s
I ² t	I ² t capacity for fusing t _p =10ms, V _{rm} ≤10V, (note 5)	32.00×10 ⁶	A ² s
T _{j op}	Operating temperature range	-40 to +160	°C
T _{stg}	Storage temperature range	-55 to +160	°C

Notes:-

- 1) De-rating factor of 0.13% per °C is applicable for T_j below 25°C.
- 2) Double side cooled, single phase; 50Hz, 180° half-sinewave.
- 3) Anode side cooled, single phase; 50Hz, 180° half-sinewave.
- 4) Double side cooled.
- 5) Half-sinewave, 160°C T_j initial.

Characteristics

	PARAMETER	MIN.	TYP.	MAX.	TEST CONDITIONS (Note 1)	UNITS
V _{FM}	Maximum peak forward voltage	-	-	1.40	I _{FM} =7000A	V
V _{T0}	Threshold voltage	-	-	0.776		V
r _T	Slope resistance	-	-	0.087		mΩ
I _{RRM}	Peak reverse current	-	-	120	Rated V _{RRM}	mA
Q _{rr}	Recovered charge	-	19	21.5		mC
Q _{ra}	Recovered charge, 50% Chord	-	12.1	-	I _{TM} =2000A, t _p =1000μs, di/dt=10A/μs, V _r =100V	mC
I _{rm}	Reverse recovery current	-	350	-		A
t _{rr}	Reverse recovery time, 50% chord	-	69	-		μs
R _{thJK}	Thermal resistance, junction to heatsink	-	-	6.0	Double side cooled	K/kW
		-	-	15.3	Anode side cooled	K/kW
		-	-	10.1	Cathode side cooled	K/kW
F	Mounting force	72	-	88	Note 2	kN
W _t	Weight	-	1.6	-		kg

Notes:-

- 1) Unless otherwise indicated T_j=160°C.
- 2) For other clamp forces, please consult factory.

Notes on Ratings and Characteristics

1.0 Voltage Grade Table

Voltage Grade	V _{RRM} V	V _{RSM} V	V _R DC V
45	4500	4600	2700
48	4800	4900	2880

2.0 Extension of Voltage Grades

This report is applicable to other voltage grades when supply has been agreed by Sales/Production.

3.0 De-rating Factor

A blocking voltage de-rating factor of 0.13%/°C is applicable to this device for T_j below 25°C.

4.0 Snubber Components

When selecting snubber components, care must be taken not to use excessively large values of snubber capacitor or excessively small values of snubber resistor. Such excessive component values may lead to device damage due to the large resultant values of snubber discharge current. If required, please consult the factory for assistance.

5.0 Computer Modelling Parameters

5.1 Device Dissipation Calculations

$$I_{AV} = \frac{-V_{T0} + \sqrt{V_{T0}^2 + 4 \cdot ff^2 \cdot r_T \cdot W_{AV}}}{2 \cdot ff^2 \cdot r_T} \quad \text{and:} \quad W_{AV} = \frac{\Delta T}{R_{th}}$$

$$\Delta T = T_{j \max} - T_K$$

Where V_{T0}=0.776 V, r_T=0.087 mΩ,

R_{th} = Supplementary thermal impedance, see table below and

ff = Form factor, see table below.

Supplementary Thermal Impedance				
Conduction Angle	6 phase (60°)	3 phase (120°)	½ wave (180°)	d.c.
Square wave Double Side Cooled	0.00657	0.00640	0.00629	0.00600
Square wave Anode Side Cooled	0.01579	0.01568	0.01559	0.01530
Square wave Cathode Side Cooled	0.01056	0.01046	0.01036	0.01010
Sine wave Double Side Cooled	0.00645	0.00633	0.00618	
Sine wave Anode Side Cooled	0.01574	0.01568	0.01548	
Sine wave Cathode Side Cooled	0.01051	0.01040	0.01025	

Form Factors				
Conduction Angle	6 phase (60°)	3 phase (120°)	½ wave (180°)	d.c.
Square wave	2.449	1.732	1.414	1
Sine wave	2.778	1.879	1.57	

5.2 Calculating V_F using ABCD Coefficients

The on-state characteristic I_F vs. V_F , on page 6 is represented in two ways;

- (i) the well established V_{T0} and r_T tangent used for rating purposes and
- (ii) a set of constants A, B, C, D, forming the coefficients of the representative equation for V_F in terms of I_F given below:

$$V_F = A + B \cdot \ln(I_F) + C \cdot I_F + D \cdot \sqrt{I_F}$$

The constants, derived by curve fitting software, are given below for both hot and cold characteristics. The resulting values for V_F agree with the true device characteristic over a current range, which is limited to that plotted.

	25°C Coefficients	160°C Coefficients
A	0.776718219	0.759807124
B	-5.479936×10^{-3}	-0.068941589
C	1.84995×10^{-5}	-1.70435×10^{-5}
D	5.892661×10^{-3}	0.016333591

5.3 D.C. Thermal Impedance Calculation

$$r_t = \sum_{p=1}^{p=n} r_p \cdot \left(1 - e^{-\frac{t}{\tau_p}} \right)$$

Where $p = 1$ to n , n is the number of terms in the series and:

t = Duration of heating pulse in seconds.

r_t = Thermal resistance at time t .

r_p = Amplitude of p^{th} term.

τ_p = Time Constant of r_{th} term.

The coefficients for this device are shown in the tables below:

D.C. Double Side Cooled				
Term	1	2	3	4
r_p	0.003173839	7.187954×10^{-4}	0.001223293	7.249536×10^{-4}
τ_p	1.340204	0.6100118	0.08899298	0.02902959

D.C. Anode Side Cooled			
Term	1	2	3
r_p	0.01248921	0.002421095	4.266685×10^{-4}
τ_p	6.830324	0.09879866	0.01695748

D.C. Cathode Side Cooled				
Term	1	2	3	4
r_p	0.005999837	0.001857812	0.001371868	8.726499×10^{-4}
τ_p	7.221684	0.7978609	0.1057334	0.02412379

6.0 Reverse recovery ratings

(i) Q_{rr} is based on 50% I_{RM} chord as shown in Fig. 1

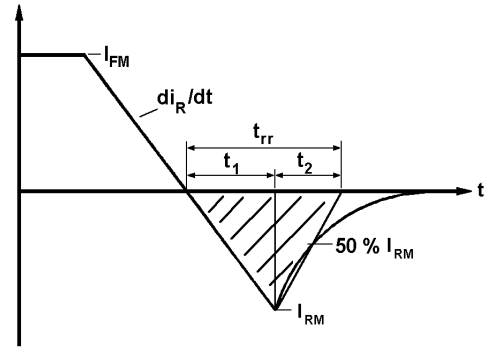


Fig. 1

(ii) Q_{rr} is based on a $150\mu s$ integration time i.e.

$$Q_{rr} = \int_0^{150\mu s} i_{rr} \cdot dt$$

(iii) $K \text{ Factor} = \frac{t_1}{t_2}$

Curves

Figure 1 – Forward characteristics of Limit device

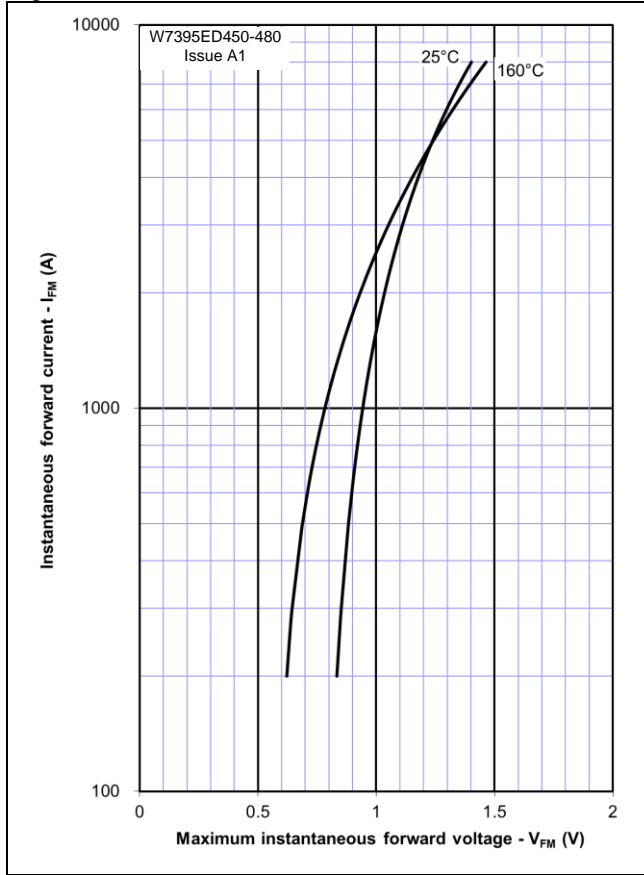


Figure 2 – Transient thermal impedance

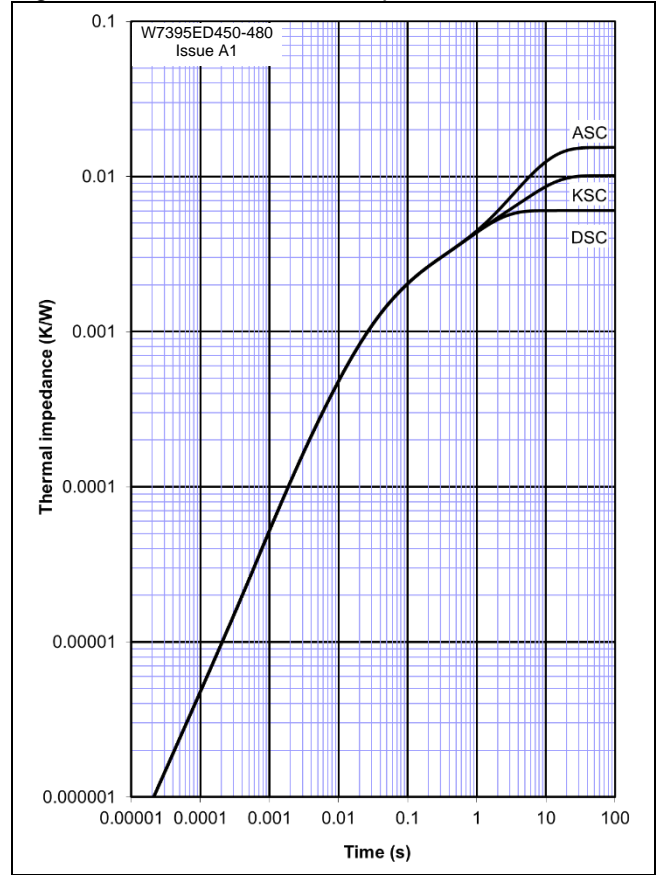


Figure 3 – Maximum Surge Rating

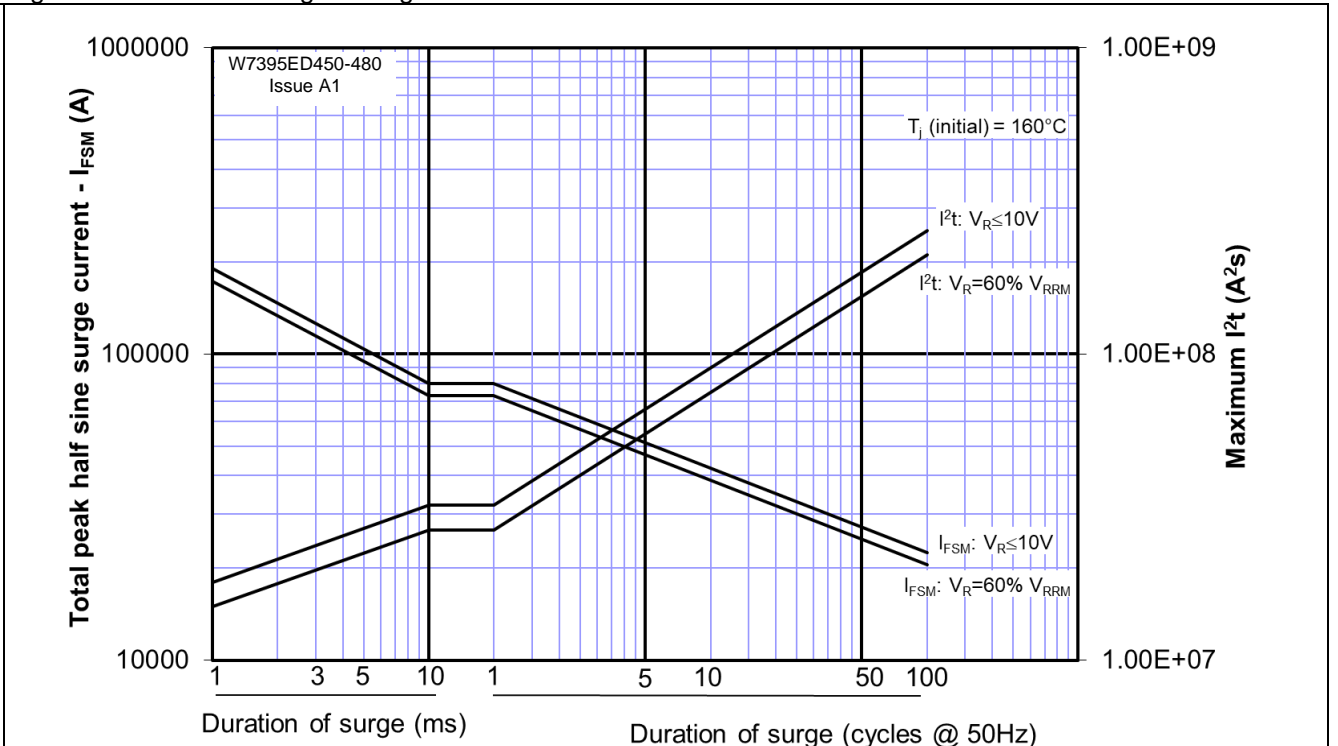


Figure 4 – Total recovered charge, Q_{rr}

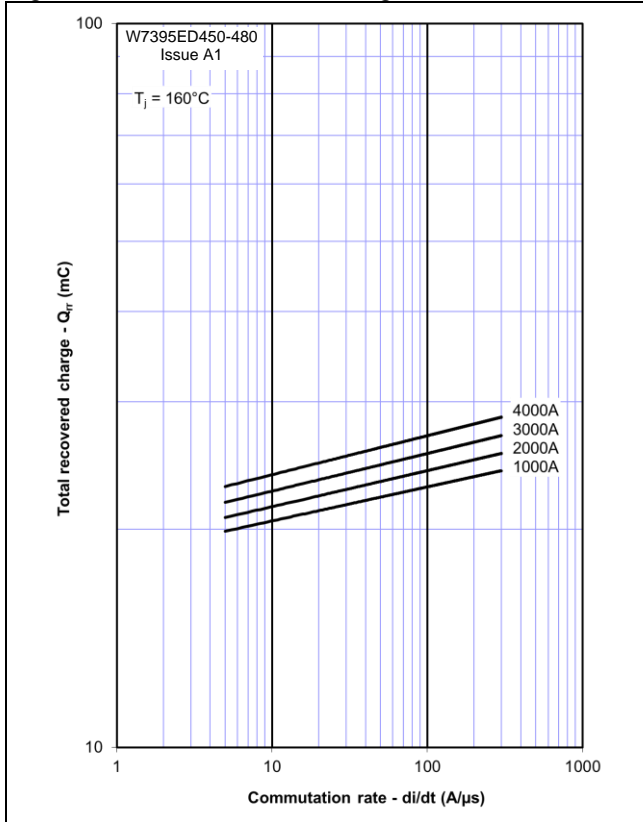


Figure 5 – Recovered charge, Q_{ra} (50% chord)

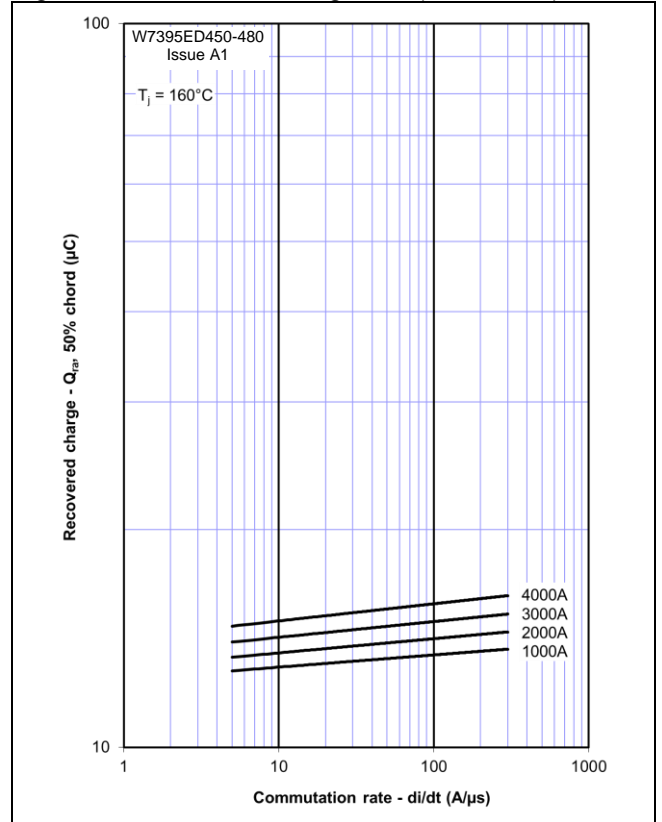


Figure 6 – Peak reverse recovery current, I_{rm}

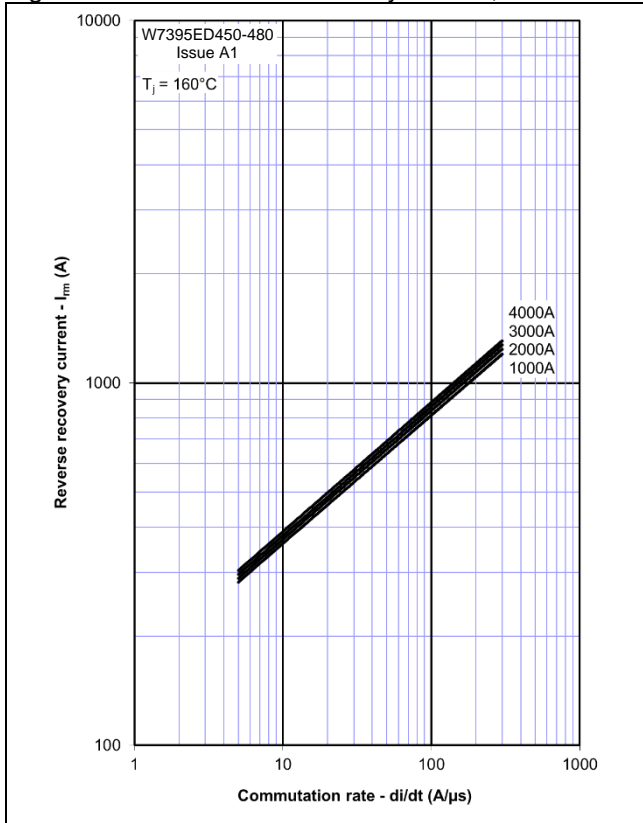


Figure 7 – Maximum recovery time, t_{rr} (50% chord)

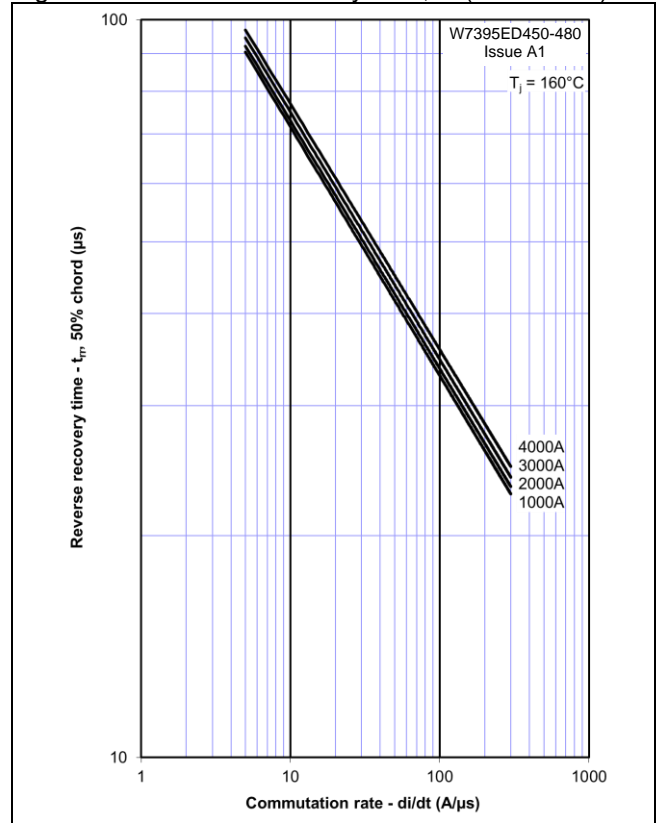


Figure 8 – Forward current vs. Power dissipation – Double Side Cooled

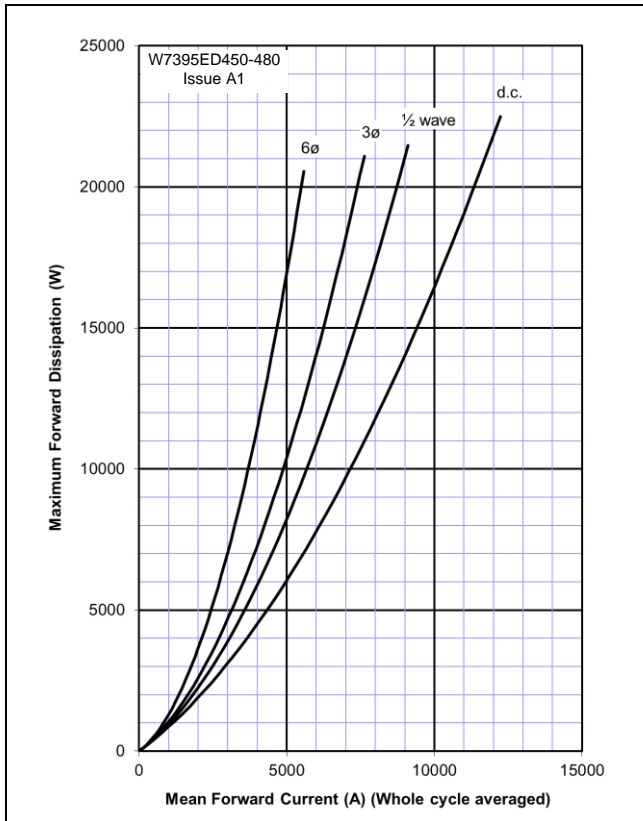


Figure 9 – Forward current vs. Heatsink temperature – Double Side Cooled

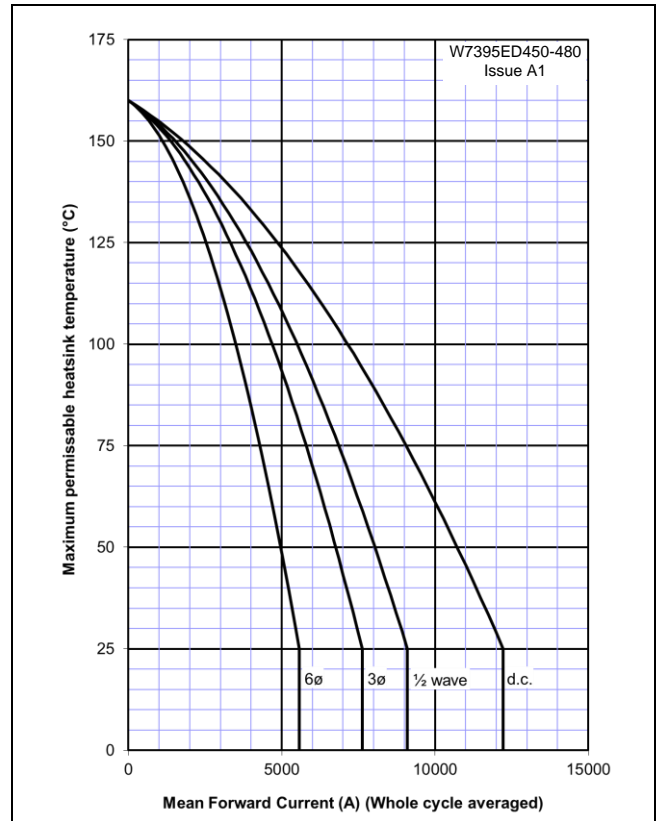


Figure 10 – Forward current vs. Power dissipation – Anode Side Cooled

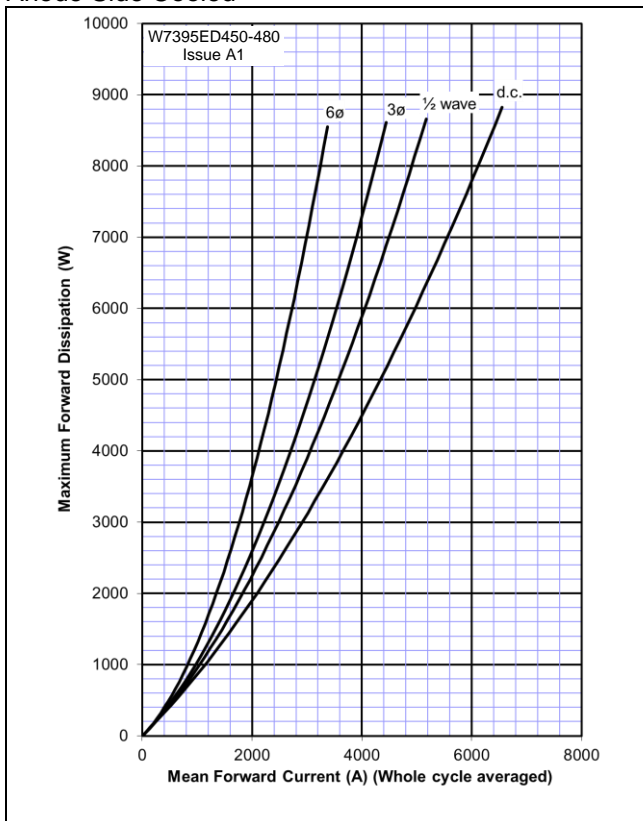
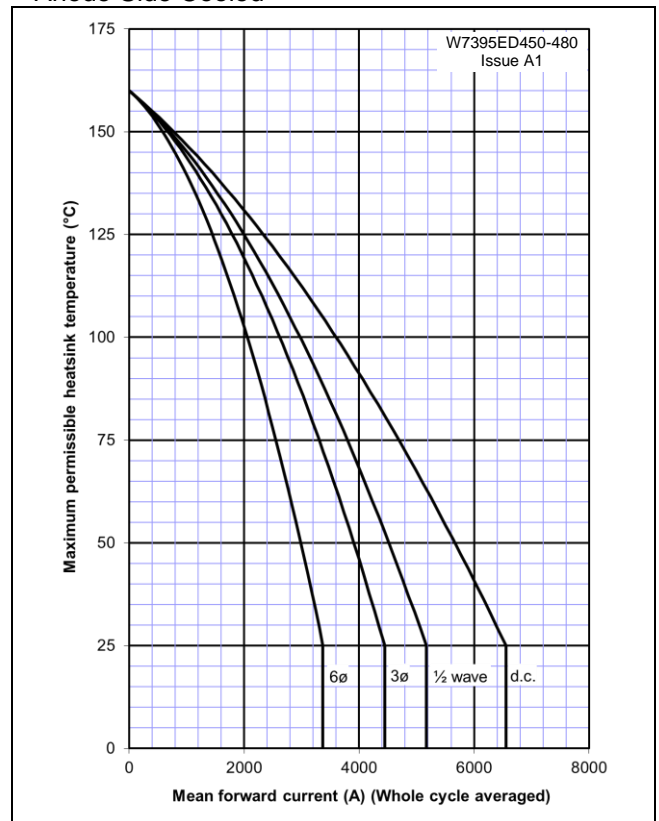
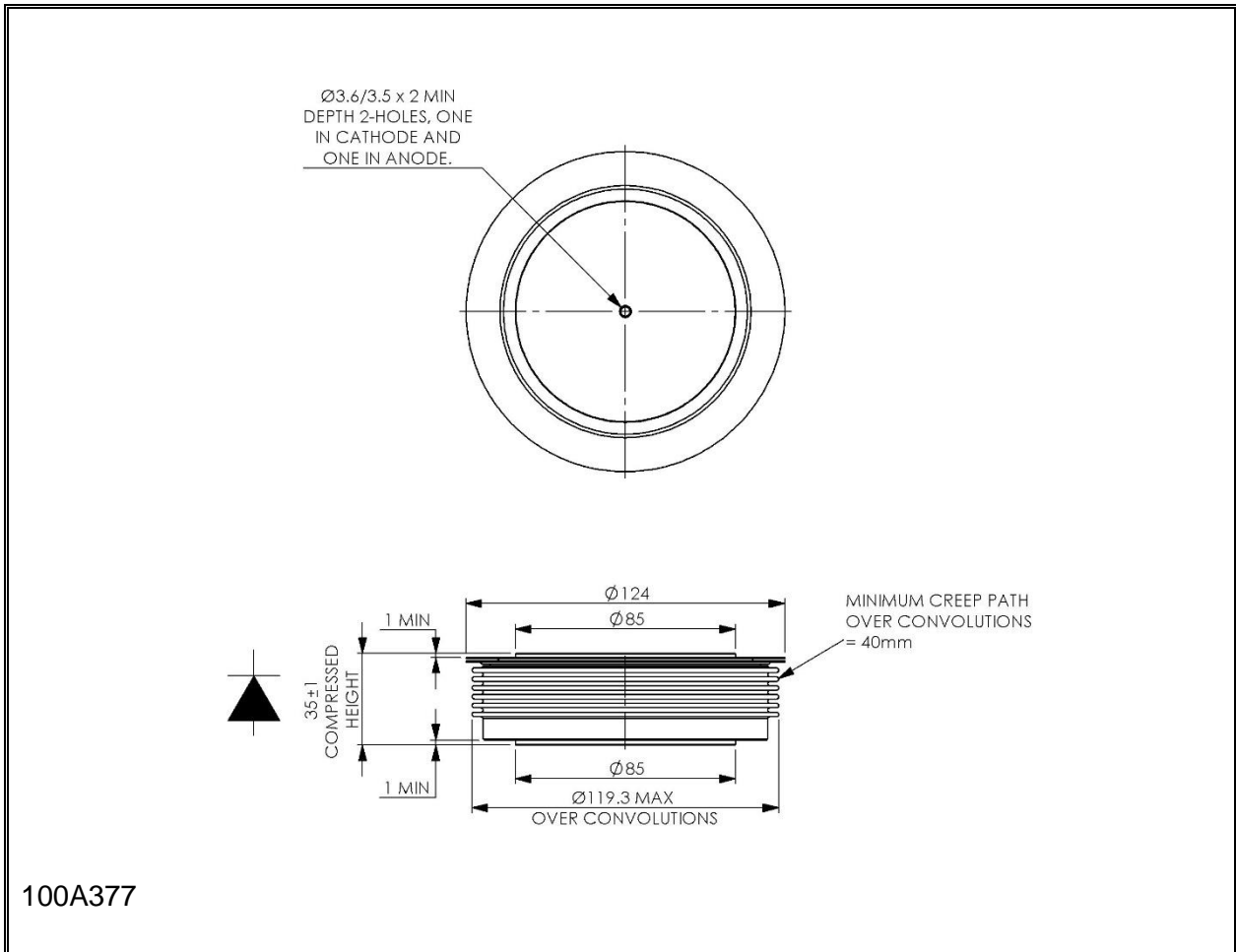


Figure 11 – Forward current vs. Heatsink temperature – Anode Side Cooled



Outline Drawing & Ordering Information


100A377

ORDERING INFORMATION

(Please quote 10 digit code as below)

W7395	ED	◆◆	0
Fixed Type Code	Fixed Outline Code	Voltage code $V_{RRM}/100$ 45 & 48	Fixed code

 Order code: W7395ED480 – 4800V V_{RRM} , 35mm clamp height capsule.

 IXYS UK Westcode Ltd
 Langley Park Way, Langley Park,
 Chippenham, Wiltshire,
 SN15 1GE.
 Tel: +44 (0)1249 444524
 E-mail: sales@ixysuk.com

IXYS
 A Littelfuse Technology

IXYS Long Beach
 IXYS Long Beach, Inc
 2500 Mira Mar Ave, Long Beach
 CA 90815
 Tel: +1 (562) 296 6584
 Fax: +1 (562) 296 6585
 E-mail: service@ixyslongbeach.com
www.littelfuse.com
<https://www.littelfuse.com/products/power-semiconductors/high-power.aspx>

The information contained herein is confidential and is protected by Copyright. The information may not be used or disclosed except with the written permission of and in the manner permitted by the proprietors IXYS UK Westcode Ltd.

© IXYS UK Westcode Ltd.

In the interest of product improvement, IXYS UK Westcode reserves the right to change specifications at any time without prior notice.

Devices with a suffix code (2-letter, 3-letter or letter/digit/letter combination) added to their generic code are not necessarily subject to the conditions and limits contained in this report.



Disclaimer Notice - Information furnished is believed to be accurate and reliable. However, users should independently evaluate the suitability of and test each product selected for their own applications. Littelfuse products are not designed for, and may not be used in, all applications. Read complete Disclaimer Notice at www.littelfuse.com/disclaimer-electronics.