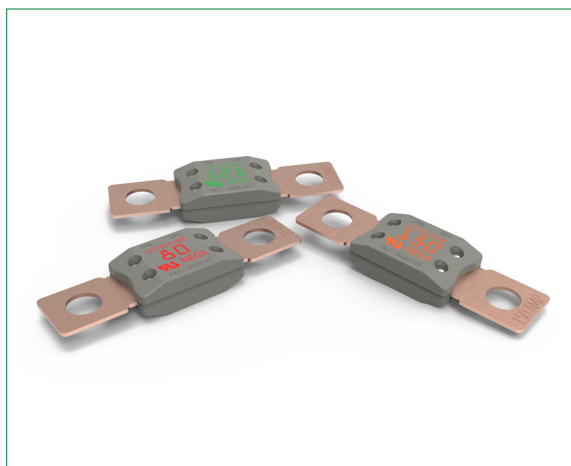


MEGA® UL Recognized

Rated 32V



RoHS



Description

UL Recognized MEGA® fuses employ diffusion pill technology to provide predictable time-delayed circuit protection. The bolt-down automotive fuses are ideal for protecting batteries, alternators, and heavy gauge cables that experience large inrushes of current.

Features & Benefits

- Available with ratings of 80 A to 175 A
- Interrupting ratings of 2 kA at 32 VDC
- Operate at up to 125 °C
- Copper terminals
- PPA-GF30FR housing with UL flammability rating of V-0
- M8 (12–18 Nm) mounting holes
- Comply with ISO 8820-5
- Recognized as UL 248 Special Purpose Fuses
- Certified lead-free and RoHS compliant
- High-contrast, color-coded ampere rating stamps on housings aid identification
- Reliable in ultra-high-current applications

Applications

- Cars and SUVs
- Trucks
- Buses
- Offroad vehicles
- Watercraft as approved by Littelfuse

Ratings

| Part Number | Current Rating (A) | Color Code | Test Cable Size (mm ²) | Typ. Voltage Drop (mV) | Typ. Cold Resistance (mΩ) | Typ. I ² t (A ² s) |
|-----------------|--------------------|------------|------------------------------------|------------------------|---------------------------|--|
| 0298080.ZXEH-UL | 80 | Red | 10 | 87 | 0.72 | 21 500 |
| 0298100.ZXEH-UL | 100 | Yellow | 16 | 87 | 0.56 | 31 100 |
| 0298125.ZXEH-UL | 125 | Green | 16 | 80 | 0.42 | 57 800 |
| 0298150.ZXEH-UL | 150 | Orange | 25 | 92 | 0.35 | 100 000 |
| 0298175.ZXEH-UL | 175 | White | 25 | 62 | 0.23 | 168 000 |

The typical I²t is an average value calculated from the breaking capacity tests by using the melting time before the arcing occurs.

Ordering Information

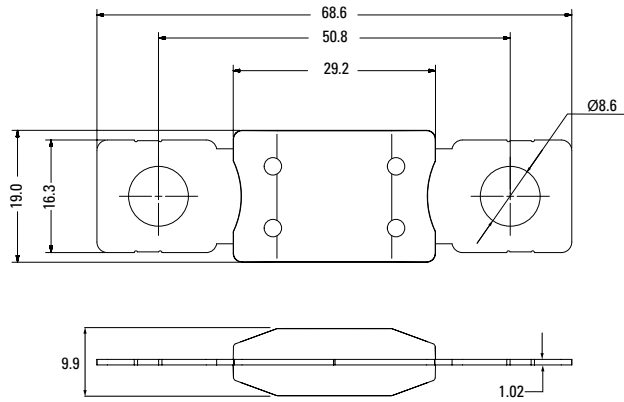
| Part Number | Rating | Package Size | Bolt Size |
|-----------------|----------|--------------|-----------|
| 0298xxx.ZXEH-UL | 80 - 175 | 500 | M8 |

MEGA[®] Low Temperature

Rated 32V

Dimensions

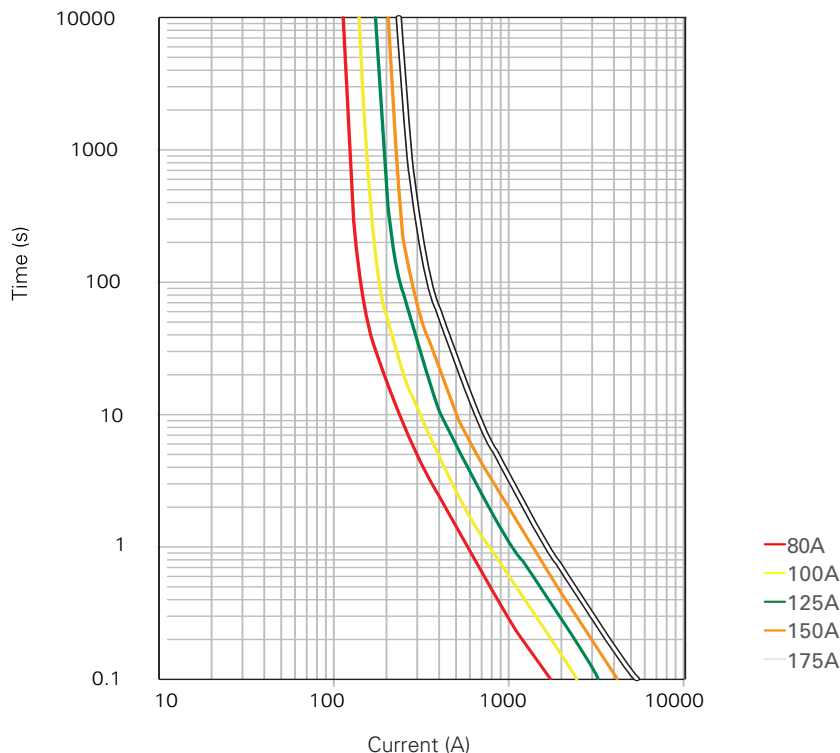
Dimensions in mm. Please refer to the outline drawing for dimensions and tolerances.



MEGA[®] Low Temperature

Rated 32V

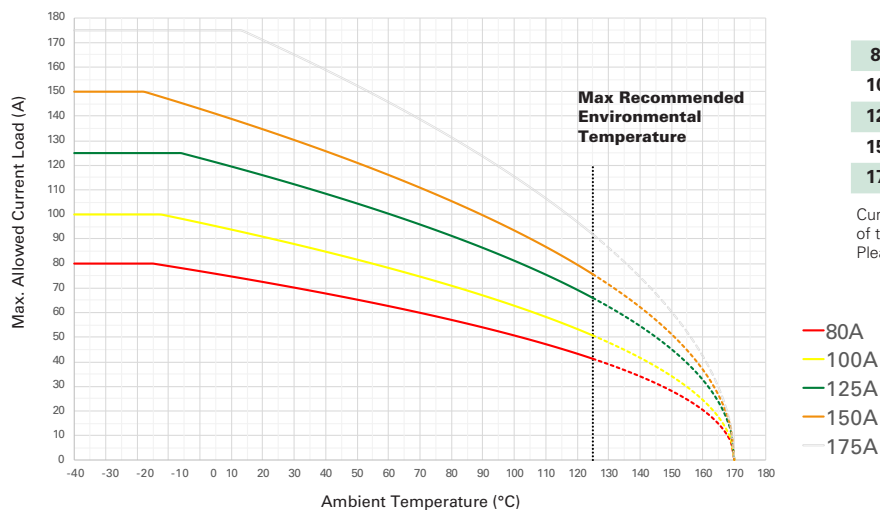
Time-Current Characteristic



| % of Rating | Opening Time Min / Max (s) |
|-------------|----------------------------|
| | 80 A - 175 A |
| 75 | - / - |
| 100 | 14 400 / ∞ |
| 135 | 120 / 1 800 |
| 200 | 1 / 15 |
| 350 | 0.3 / 5 |
| 500 | - / - |
| 600 | 0.1 / 1 |

Typical Derating Curves

Please contact Littelfuse[®] for Details Regarding Derating Test Set Up



| | max. allowed current load (A) at ambient temperature based on typical derating | | | | | | |
|--------------|--|-----|------|------|------|-------|-------|
| | -40°C | 0°C | 20°C | 65°C | 85°C | 110°C | 125°C |
| 80 A | 80 | 77 | 73 | 61 | 56 | 47 | 41 |
| 100 A | 100 | 97 | 91 | 76 | 69 | 58 | 51 |
| 125 A | 125 | 123 | 116 | 98 | 89 | 76 | 66 |
| 150 A | 150 | 143 | 135 | 114 | 103 | 87 | 76 |
| 175 A | 175 | 175 | 171 | 142 | 128 | 107 | 92 |

Current recommendation may be impacted by the final condition of the application (terminals characteristics, wire size etc.). Please contact Littelfuse[®] for more information.