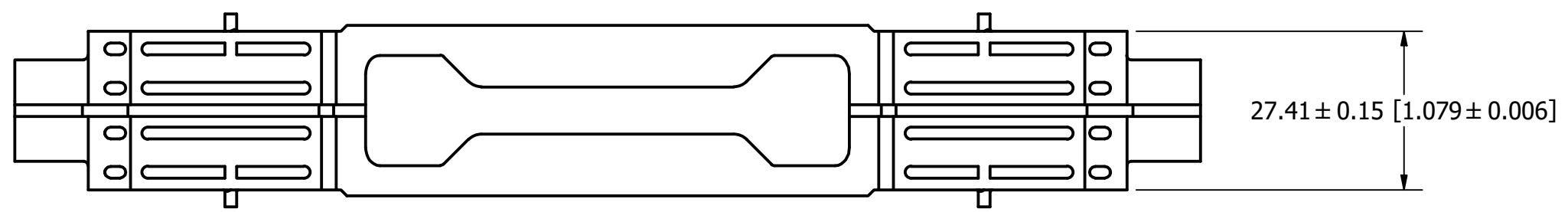
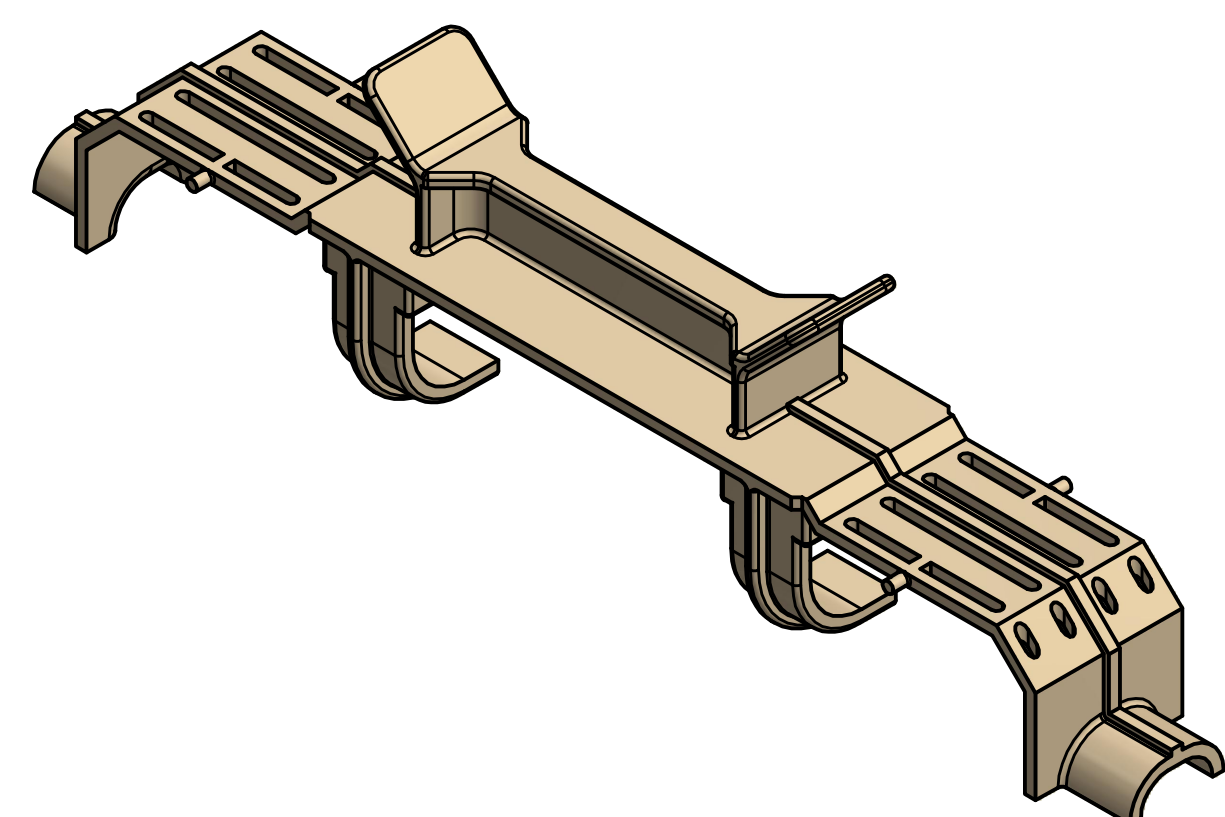
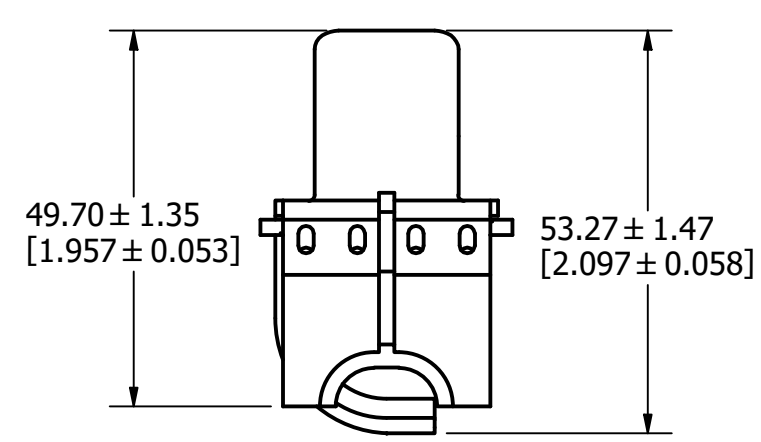
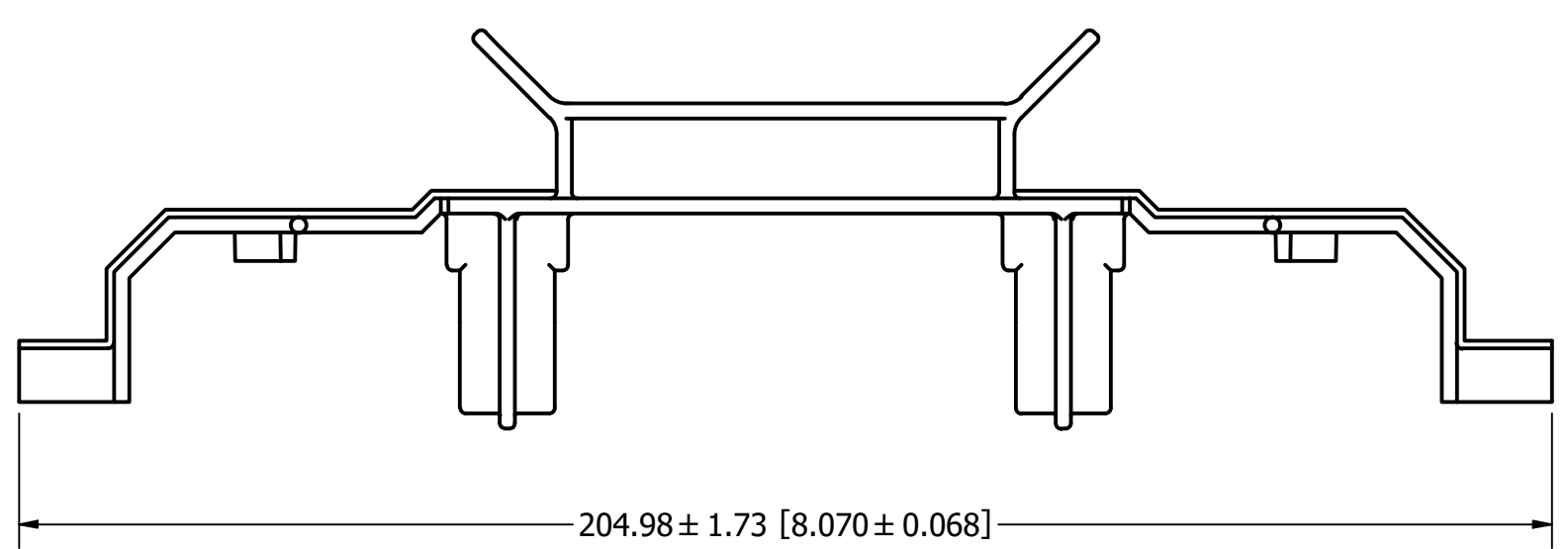


| REVISION |         |  |
|----------|---------|--|
| REV      | DATE    | DESCRIPTION                            |
| A        | 11/2/20 | 523009GCP - RELEASE MRY                |
| B        | 9/23/21 | 524232ECP/C - UPDATE TO NEW DESIGN MRY |
| C        | 11/9/21 | 524457ECP/D - UPDATE DIMENSIONS MRY    |
| D        | 5/23/22 | 525242ECP/D - ADD TOLERANCES MRY       |



**SPECIFICATIONS**

**APPROVALS:** UL LISTED (FILE NO. E184929)



|   |  |                      |                                    |
|---|--|----------------------|------------------------------------|
| <S>   | CRITICAL CHARACTERISTIC FOR PART SAFETY/COMPLIANCE   |                      |                                    |
| ●   | DENOTES CRITICAL CHARACTERISTICS.  |                      |                                    |
| CPK   | DENOTES CPK DIMENSIONS, -MINIMUM CPK VALUE   |                      |                                    |
| (ST)  | DENOTES A CHARACTERISTIC THAT PROVIDES AN INDICATION OF PROCESS PERFORMANCE. PROCEDURE FOR MEASUREMENT AND TRACKING TO BE DEFINED IN LITTELFUSE INSPECTION INSTRUCTIONS. |                      |                                    |
| CP  | DENOTES CP DIMENSIONS, -MINIMUM CP VALUE. MUST BE WITHIN THE DIMENSIONAL LIMITATIONS SHOWN ON DRAWING AND INITIALLY LOCATED TO ALLOW FOR MAXIMUM TOOL LIFE.              |                      |                                    |
| MATL SPEC   |  | FINISH               |                                    |
| DRW MYORK   | DATE 10/28/2020  | SCALE NTS            | FINISH GOOD WT GRAMS/PIECE         |
| UNLESS OTHERWISE SPECIFIED, DIMENSIONS ARE IN MILLIMETERS, DIMENSIONS IN BRACKETS [ ] ARE INCHES DIMENSIONING AND DO NOT INCLUDE PLATING. TOLERANCING TO BE INTERPRETED IN ACCORDANCE WITH ANSI Y14.5M-1994 |  |                      |                                    |
| 3RD ANGLE PROJECTION  |  |                      |                                    |
| <b>TITLE</b> LFXV15060FBC FUSEBLOCK COVER-PULLER  |  |                      |                                    |
| <br>CHICAGO, ILLINOIS 60631   |  | <b>REVISION</b><br>D | <b>DRWG NO.</b><br>OL-LFXV15060FBC |
|   |  |                      | SHEET 1 OF 1<br>OUTLINE            |