

# POWR-GARD® Blocks & Holders

## LF SERIES CLASS T FUSE BLOCKS

300 V • 600 V



### Description

The Littelfuse Class T fuse blocks offer many advantages such as space saving design, mounting flexibility for easier installation, snap-to-release DIN rail mounts and available covers.

### Features/Benefits

- Space-saving design
- Accommodates a wide range of existing mounting configurations
- One hand release from DIN rail for 30–60 A fuses
- Reinforced fuse clips are standard
- Covers available for most amperages to enhance safety
- Both hex and slot set screw options available on 60 A box lugs

### Ordering Information (Class T 300 V)

AMPERE RATING	POLE	ORDERING NUMBER					TORQUE	WIRE RANGE	WIRE TYPE	BASE TEMP RATING	DIN RAIL MOUNT	COVER ORDERING NUMBER*				
		BASE ORDERING NUMBER	TERMINAL SUFFIX													
			BOX LUG HEX	BOX LUG SLOT	PRESSURE PLATE	SCREW										
30	1	LFT300301	—	C	—	—	5.6 N-m (50 in-lbs)	2–4 AWG	CU-AL Solid/Stranded	125 °C	•	LFT30030FBC				
	2	LFT300302					2.8 N-m (25 in-lbs)	6–14 AWG								
	3	LFT300303					5.6 N-m (50 in-lbs)	2–4 AWG								
60	1	LFT300601	C-HX	C	—	—	5.6 N-m (50 in-lbs)	2–4 AWG		CU-AL Solid/Stranded	125 °C	•	LFT30060FBC			
	2	LFT300602					2.8 N-m (25 in-lbs)	6–14 AWG								
	3	LFT300603					13.6 N-m (120 in-lbs)	2/0–6 AWG								
100	1	LFT301001	CS	—	—	—	4.5 N-m (40 in-lbs)	8 AWG			CU-AL Solid/Stranded	130 °C	—	LFT30100FBC		
	3	LFT301003					4.0 N-m (35 in-lbs)	10–14 AWG								
	1	LFT302001					31.1 N-m (275 in-lbs)	250 kcmil-6								
200	3	LFT302003	CS	—	—	—	(2) 31.1 N-m (275 in-lbs)	250 kcmil-6				CU-AL Solid/Stranded	130 °C	—	—	
	1	LFT304001														
400	3	LFT304003	CS	—	—	—	(2) 42.4 N-m (375 in-lbs)	500 kcmil-6					CU-AL Solid/Stranded	130 °C	—	—
	1	LFT306001														
600	3	LFT306003	CS	—	—	—			CU-AL Solid/Stranded					130 °C	—	—
	1	LFT306001														

### Specifications

<b>Voltage Ratings</b>	300 V/600 V
<b>Ampere Ratings</b>	0–600 A
<b>Leakage Current</b>	<0.6 mA at 600 V
<b>Withstand Rating</b>	200 kA RMS SYM
<b>Materials:</b>	
<b>Base</b>	Thermoplastic
<b>Fuse Clip</b>	Tin plated copper alloy
<b>Box Lug</b>	Aluminum
<b>Fuse Studs</b>	Zinc plated steel
<b>Pressure Plate</b>	Zinc plated steel
<b>Screw</b>	Zinc plated steel
<b>Flammability Rating</b>	UL 94 V-0
<b>Approvals</b>	UL Listed (File: E14721) CSA Certified (File: LR7316)
<b>Environmental</b>	RoHS Compliant, Lead (Pb) Free

### Recommended Fuses

- 300 V JLLN
- 600 V JLLS

### Web Resources

Sample requests, downloadable CAD drawings and other technical information:

- [Littelfuse.com/lft](http://Littelfuse.com/lft)
- [Littelfuse.com/fuseblocks](http://Littelfuse.com/fuseblocks)

# POWR-GARD® Blocks & Holders

## LF SERIES CLASS T FUSE BLOCKS

### Ordering Information (Class T 600 V)

AMPERE RATING	POLES	ORDERING NUMBER					TORQUE	WIRE RANGE	WIRE TYPE	BASE TEMP RATING	DIN RAIL MOUNT	COVER ORDERING NUMBER*
		BASE ORDERING NUMBER	TERMINAL SUFFIX									
			BOX LUG HEX	BOX LUG SLOT	PRESSURE PLATE	SCREW						
30	1	LFT600301	—	C	P	S	5.6 N-m (50 in-lbs)	2-4 AWG	* see note	125 °C	•	LFT60030FBC
	2	LFT600302					2.8 N-m (25 in-lbs)	6-14 AWG				
	3	LFT600303					2.8 N-m (25 in-lbs)	6-14 AWG				
60	1	LFT600601	C-HX	C	—	—	5.6 N-m (50 in-lbs)	2-4 AWG	CU-AL Solid/Stranded	125 °C	•	LFT60060FBC
	2	LFT600602					2.8 N-m (25 in-lbs)	6-14 AWG				
	3	LFT600603					13.6 N-m (120 in-lbs)	2/0-6 AWG				
100	1	LFT601001	CS	—	—	—	4.5 N-m (40 in-lbs)	8 AWG	130 °C	—	—	LT60100FBC
	3	LFT601003					4.0 N-m (35 in-lbs)	10-14 AWG				
	1	LFT602001					31.1 N-m (275 in-lbs)	250 kcmil-6				
200	3	LFT602003	CS	—	—	—	(2) 31.1 N-m (275 in-lbs)	250 kcmil-6	130 °C	—	—	LT60200FBC
	1	LFT604001										
400	3	LFT604003	CS	—	—	—	(2) 42.4 N-m (375 in-lbs)	500 kcmil-6	130 °C	—	—	LT60400FBC
	1	LFT606001										
600	3	LFT606003	CS	—	—	—	(2) 42.4 N-m (375 in-lbs)	500 kcmil-6	130 °C	—	—	LT60600FBC
	1	LFT606001										

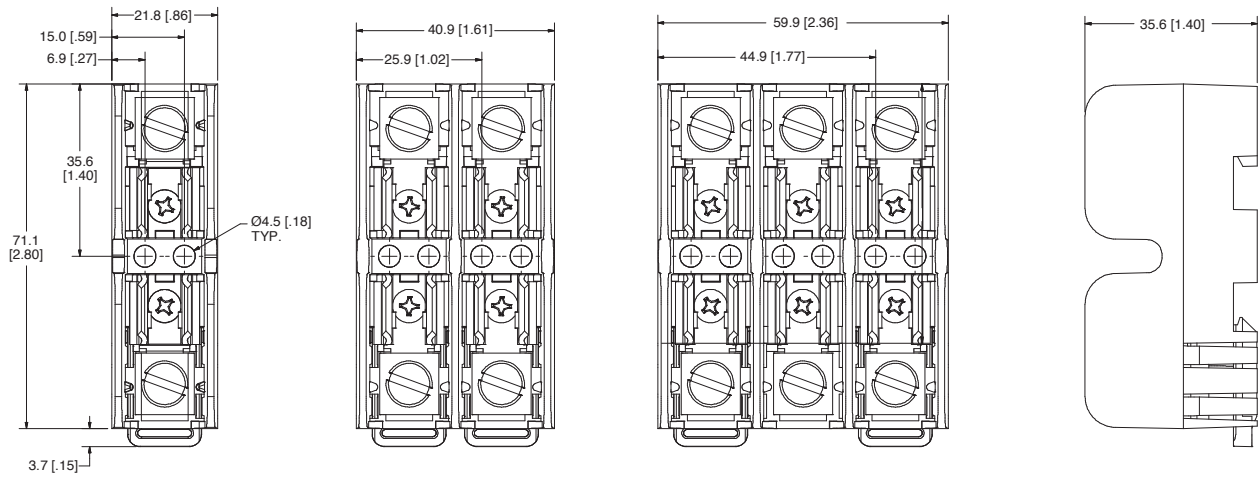
\* Covers sold individually. One cover needed for each pole.  
 † Wire type for pressure plate and screw terminal is CU only

# POWR-GARD® Blocks & Holders

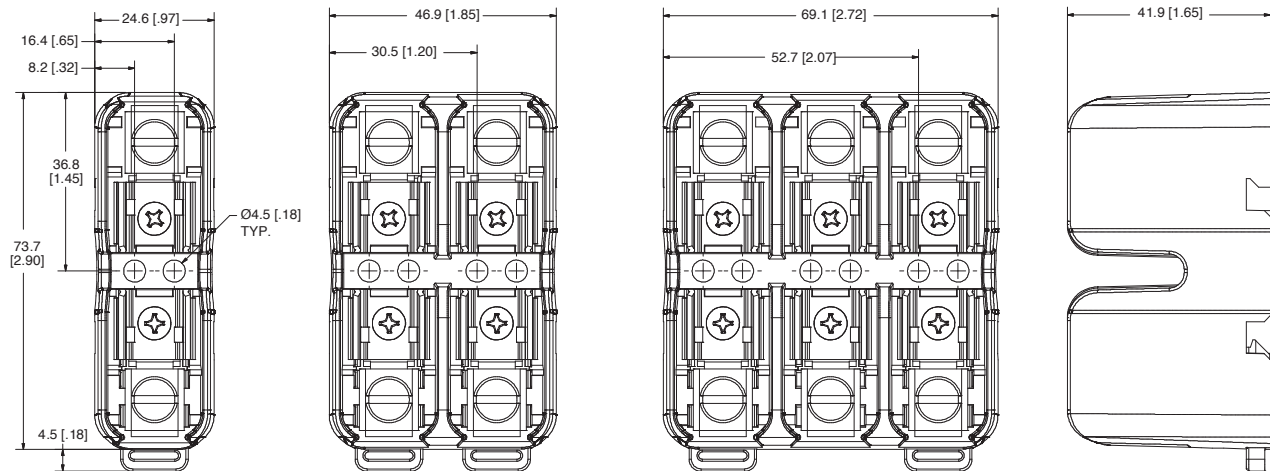
## LF SERIES CLASS T FUSE BLOCKS

### Dimensions mm (inches)

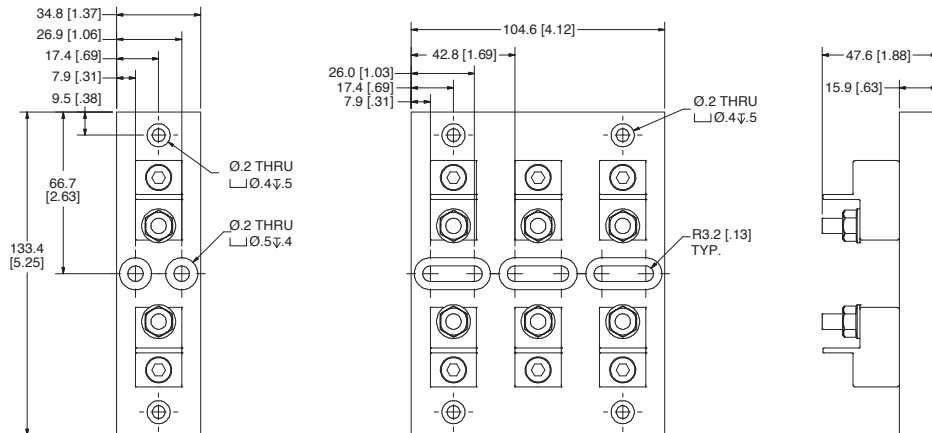
#### 300 V 30 A



#### 300 V 60 A



#### 300 V 100 A

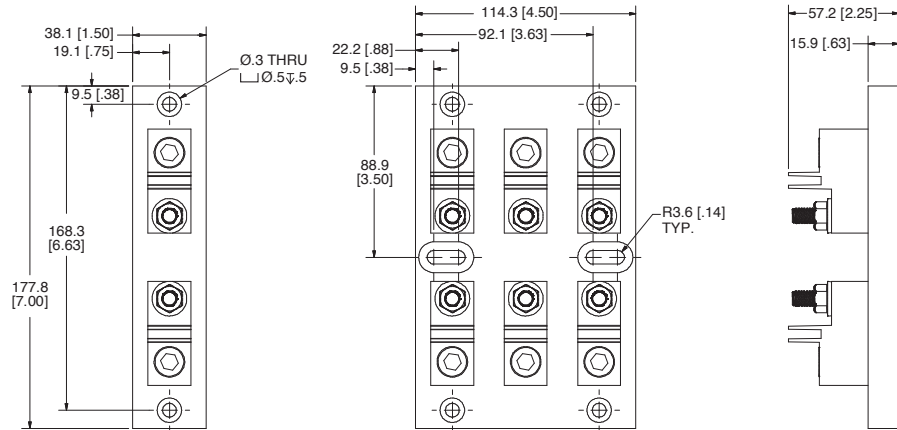


# POWR-GARD® Blocks & Holders

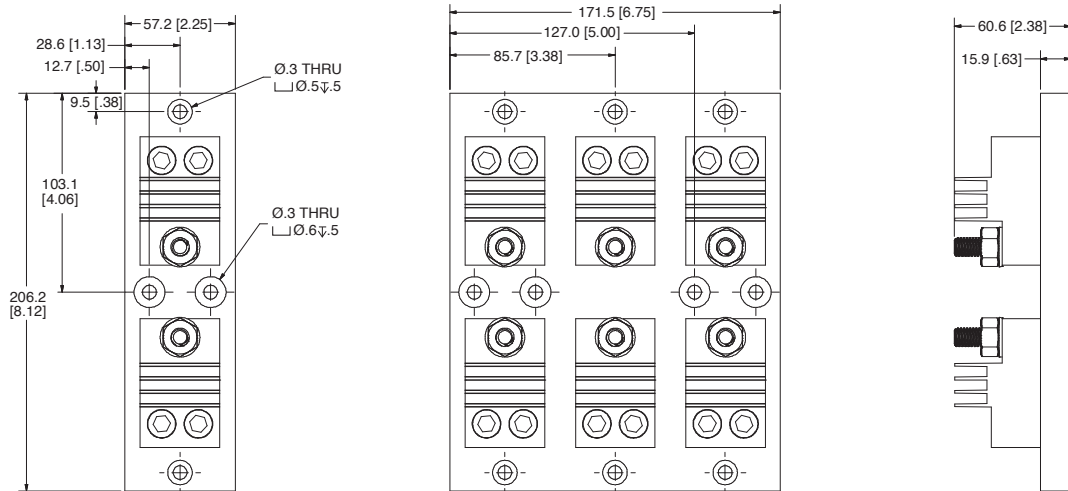
## LF SERIES CLASS T FUSE BLOCKS

### Dimensions mm (inches)

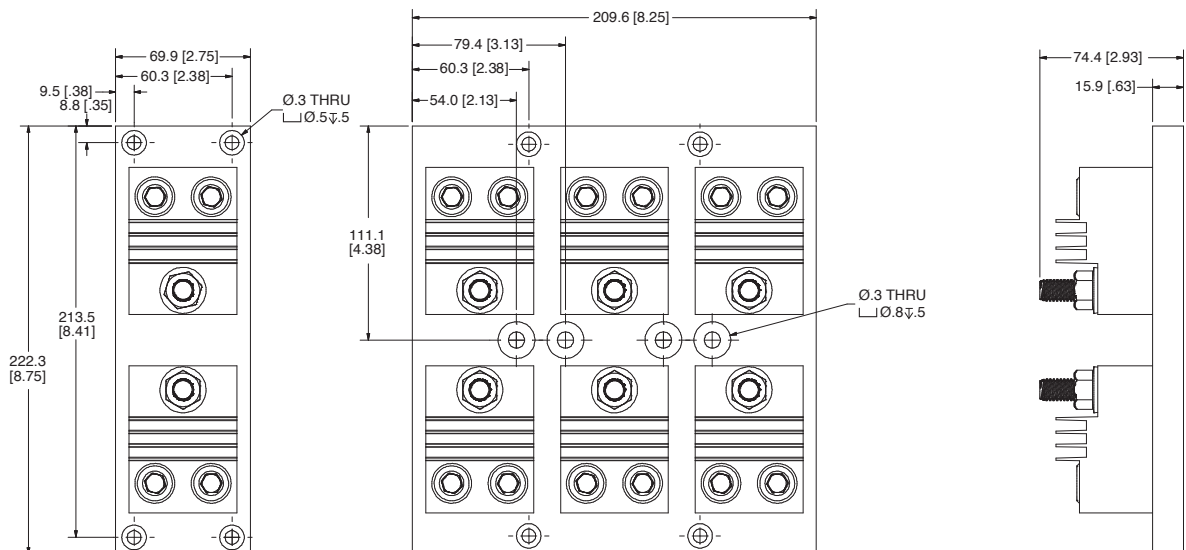
#### 300 V 200 A



#### 300 V 400 A



#### 300 V 600 A

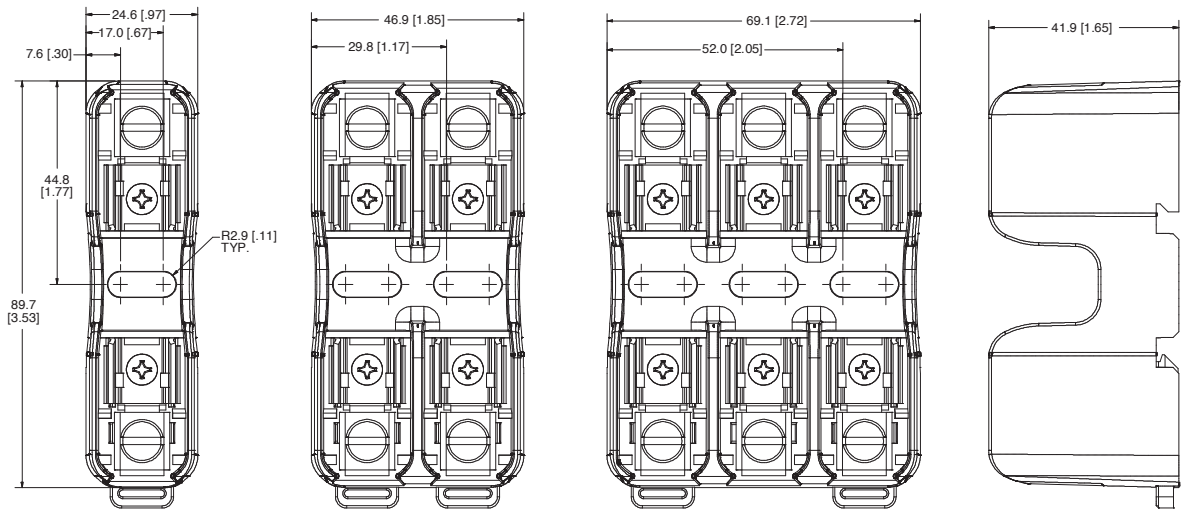


# POWR-GARD® Blocks & Holders

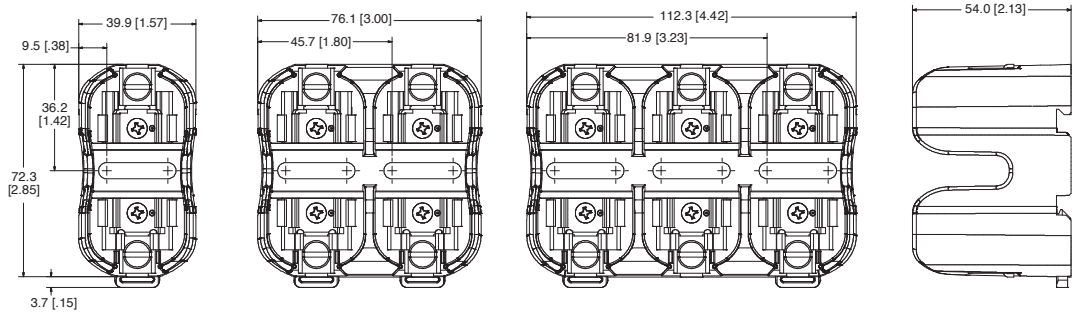
## LF SERIES CLASS T FUSE BLOCKS

### Dimensions mm (inches)

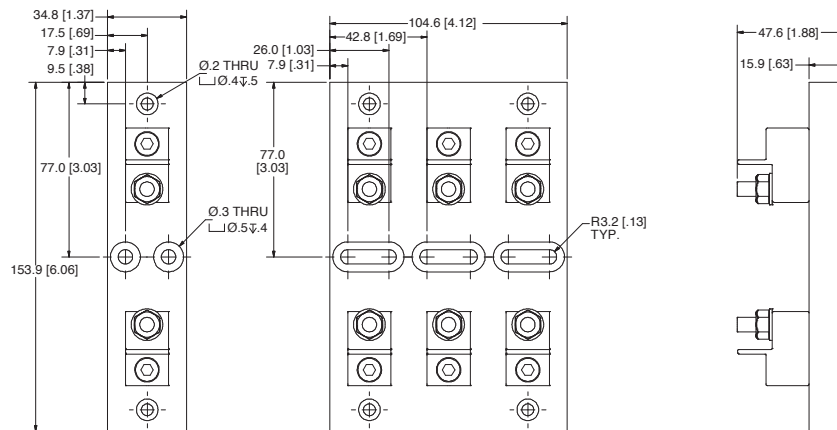
#### 600 V 30 A



#### 600 V 60 A



#### 600 V 100 A

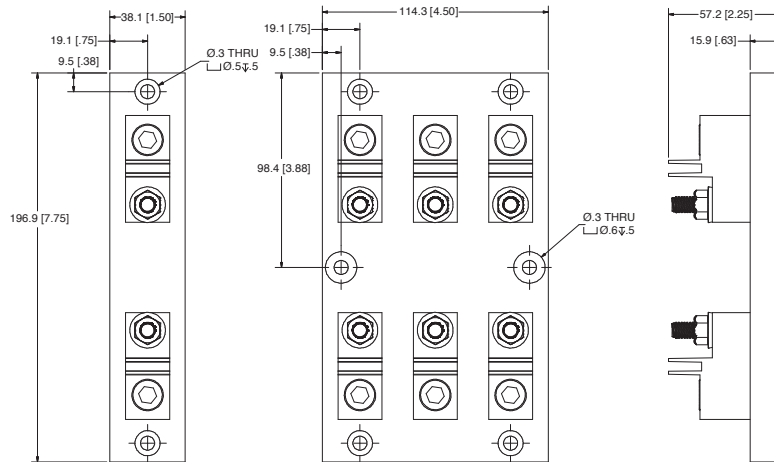


# POWR-GARD® Blocks & Holders

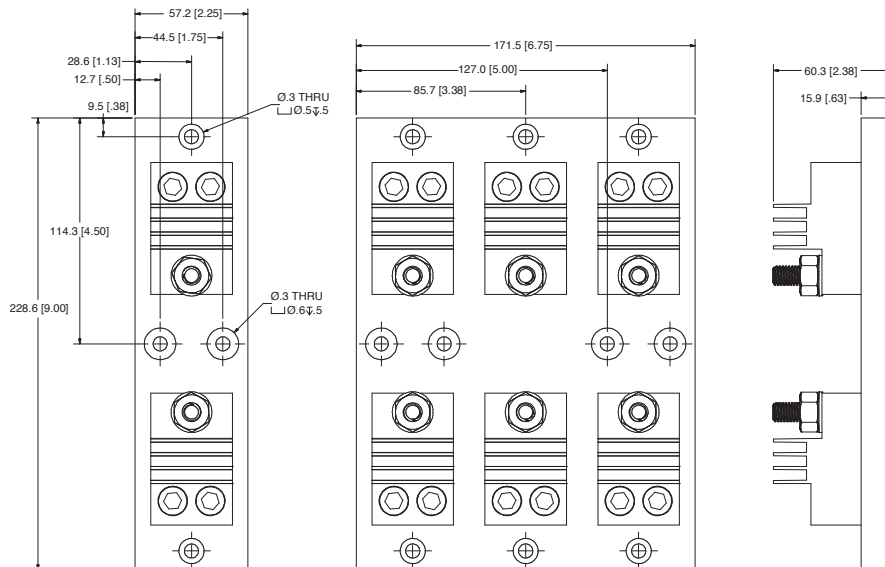
## LF SERIES CLASS T FUSE BLOCKS

### Dimensions mm (inches)

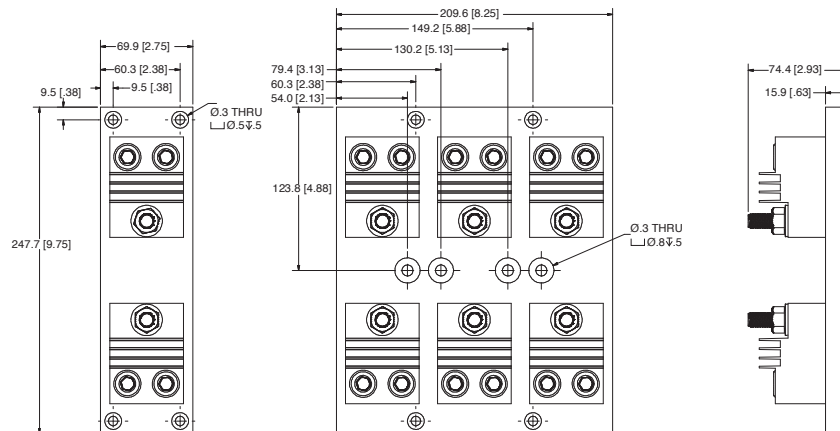
#### 600 V 200 A



#### 600 V 400 A



#### 600 V 600 A



**Disclaimer Notice** - Information furnished is believed to be accurate and reliable. However, users should independently evaluate the suitability of and test each product selected for their own applications. Littelfuse products are not designed for, and may not be used in, all applications. **Read complete Disclaimer Notice at [www.littelfuse.com/product-disclaimer](http://www.littelfuse.com/product-disclaimer).**