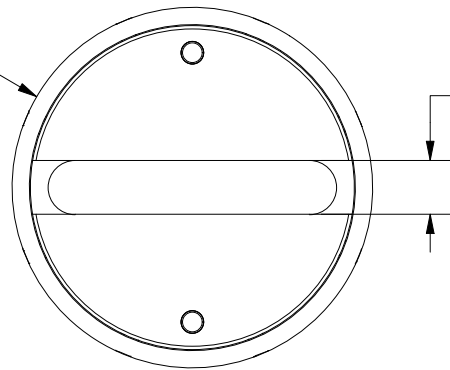


Ø63.50 ± 0.381
[Ø2.500 ± 0.015]



9.53 ± 0.15
[0.375 ± 0.006]

13.46 ± 0.25
[0.530 ± 0.010]

50.80 ± 0.89
[2.000 ± 0.035]

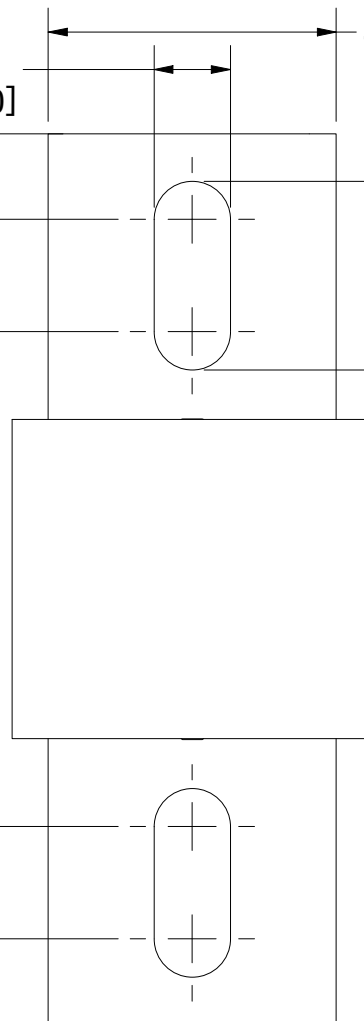
33.27 ± 0.25
[1.310 ± 0.010]

87.30 ± 1.60
[3.437 ± 0.063]

56.34
[2.218]

126.93 ± 1.60
[4.997 ± 0.063]

157.15 ± 1.60
[6.187 ± 0.063]



REVISION		
REV	DATE	DESCRIPTION
A	6/29/23	526672GCP - RELEASE MRY

1	COMPONENT NO	DESCRIPTION	QTY/M	U/M
---	--------------	-------------	-------	-----

BILL OF MATERIAL

<S>	CRITICAL CHARACTERISTIC FOR PART SAFETY/COMPLIANCE
●	DENOTES CRITICAL CHARACTERISTICS.
CPK	DENOTES CPK DIMENSIONS, -MINIMUM CPK VALUE
⊠	DENOTES A CHARACTERISTIC THAT PROVIDES AN INDICATION OF PROCESS PERFORMANCE. PROCEDURE FOR MEASUREMENT AND TRACKING TO BE DEFINED IN LITTELFUSE INSPECTION INSTRUCTIONS.
CP	DENOTES CP DIMENSIONS, -MINIMUM CP VALUE MUST BE WITHIN THE DIMENSIONAL LIMITATIONS SHOWN ON DRAWING AND INITIALLY LOCATED TO ALLOW FOR MAXIMUM TOOL LIFE.

A

MATL SPEC	FINISH		
DRW JMoler	DATE 6/21/2023	SCALE NTS	FINISH GOOD WT GRAMS/PIECE

UNLESS OTHERWISE SPECIFIED, DIMENSIONS ARE IN MILLIMETERS, DIMENSIONS IN BRACKETS [] ARE INCHES DIMENSIONING AND DO NOT INCLUDE PLATING. TOLERANCING TO BE INTERPRETED IN ACCORDANCE WITH ANSI Y14.5M-1994

3RD ANGLE PROJECTION	
----------------------	--

TITLE L50QS 700-800A OUTLINE

Littelfuse CHICAGO, ILLINOIS 60631	REVISION A	DRWG NO. OL-L50QS800	SHEET 1 OF 1
--	----------------------	--------------------------------	--------------