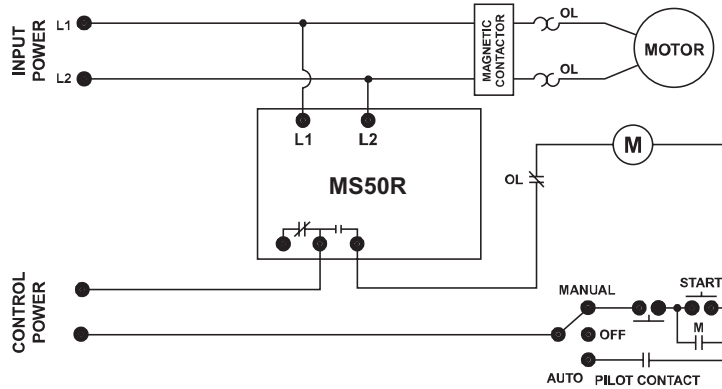


INSTALLATION INSTRUCTIONS FOR SYMCOM'S MOTORSAVER MODEL 50R

**BE SURE POWER IS DISCONNECTED PRIOR TO INSTALLATION!!
FOLLOW NATIONAL, STATE AND LOCAL CODES!**

CONNECTIONS

1. Mount the MotorSaver in a convenient location in or near the motor control panel. If the location is wet or dusty, then the MotorSaver should be mounted in a NEMA 4 or 12 enclosure.
2. Connect the lines of the power supply to L1 and L2 on the MotorSaver's terminal strip (see Figure No. 1).
3. Connect the output relay to the circuitry to be controlled (see Figure No. 1).
For motor control, use the 'C' and the 'NO' terminals.
For alarm circuits, use the 'C' and the 'NC' terminals.



To control a motor: Connect the normally open contact in series with the magnetic coil of the motor starter.

Figure No. 1: Typical Wiring Diagram

SETTINGS

All models are not equipped with the same adjustments. Set the adjustments available on the front of your particular model.

1. LINE VOLTAGE ADJUSTMENT: Rotate the LINE VOLTAGE ADJUSTMENT to the nominal single-phase line voltage feeding the motor to be protected.
2. TIME DELAY RESTART (RESTART DELAY): Rotate the RESTART DELAY to the desired position. The restart delay is the time between MotorSaver seeing acceptable power and MotorSaver closing its output contacts. For compressor applications, the restart delay should be set for the approximate time it takes for the head pressure to bleed off of the compressor. For other applications, the restart delay is typically set at 2 seconds. If the RESTART DELAY is in the MAN (manual) position, then the unit will not automatically restart until it is turned out of the MAN position.
3. TRIP DELAY ADJUSTMENT: Rotate the TRIP DELAY ADJUSTMENT to the desired setting. The adjustment does not affect the trip delay on phasing faults. Typically, the TRIP DELAY ADJUSTMENT is set to 4 seconds. In areas where voltage fluctuations are frequent, the TRIP DELAY ADJUSTMENT is set between 10 and 15 seconds.
4. OTHER OPTIONAL ADJUSTMENTS: If your MotorSaver is equipped with another optional adjustment, rotate the adjustment screw to the desired setting.

POWER-UP

Turn on the power to the motor. The MotorSaver then goes through its restart delay and the LED will flash green. After the RESTART DELAY (fixed or adjustable), the MotorSaver will energize its output contacts and the RUN LIGHT will turn solid green. If the contacts do not energize and the RUN LIGHT does not turn solid green, then see the TROUBLESHOOTING section.

INDICATOR LIGHT DIAGNOSTICS

RUN	GREEN
RESTART DELAY	FLASHING GREEN
HIGH / LOW VOLTAGE	RED

Congratulations!!! You have just installed the finest motor protection available!

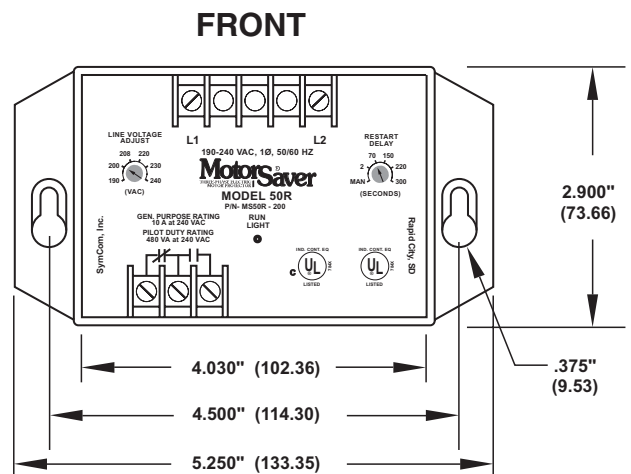
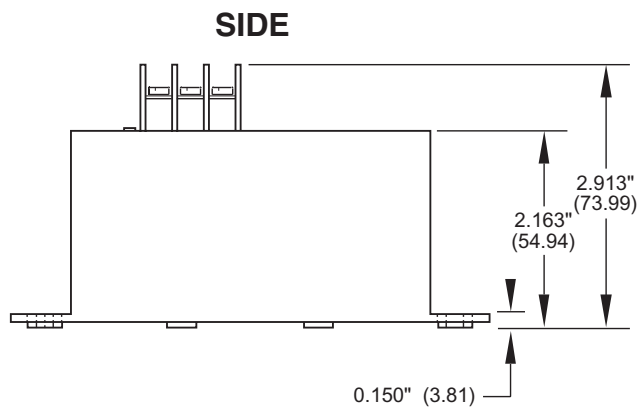
TROUBLESHOOTING

If the output relay does not energize and the RUN LIGHT does not turn solid green after waiting for the RESTART DELAY time, then:

1. Rotate the Restart Delay Adjustment clockwise 1/8 turn, above "2." You may be pointed at "Manual" or close enough to the Manual reset position that the unit will not automatically restart. If the light does not flash green, proceed to step 2.
2. If the MotorSaver still seems to be malfunctioning, measure the line-to-line voltage. If the voltage is 10% above (for units with optional high voltage protection) or 10% below the voltage adjust set point, the MotorSaver is functioning properly, saving your motor from abnormal power conditions.
3. If the unit still seems to be malfunctioning, then contact SymCom at **1-800-843-8848 OR 1-605-348-5580** and we will be happy to help you.

SPECIFICATIONS	MODEL 50R
Line Voltage Ranges	95 - 120 (100V Model) 190 - 240 (200V Model) 380 - 480 (400V Model)
Frequency	50 - 60 Hz
Operating Points	
Low Voltage	
Trip (% of set point)	90%
Reset (% of set point)	93%
High Voltage	
Trip (% of set point)	N/A (Standard) (110%, Option No. 9)
Reset (% of set point)	N/A (Standard) (107%, Option No. 9)
Trip Delay Time (Nominal)	
Low Voltage	4 Seconds (Standard) (2 - 30 Seconds, Option No. 3)
High Voltage	N/A (Standard) (4 Seconds, Option No. 9) (2 - 30 Seconds, Options 3 & 9)
Restart Delay Time	
After a Fault	2 Seconds (Standard) (2 - 300 Seconds, Option No.2)
From complete power loss	2 Seconds (Standard) (2 - 300 Seconds, Option No.2)
Manual Reset	N/A (Standard) (Option No. 4)
Output Contact Rating (SPDT)	
Pilot Duty	480 VA @ 240 VAC
General Purpose	10 A @ 240 VAC
Internal Transient Protection Using IEC 1000-4-5:1995	±6kv
Power Consumption	5 Watts (Max.)
Weight	1 lb.

DIMENSIONS FOR MODEL 50R



WARRANTY

Seller warrants to the buyer that products furnished will be free from defects in material and workmanship, exclusive of corrosion, for a period of five years from the date of shipment from its factory, provided said products have been installed, maintained and operated in conformance with any applicable specifications and recommendations of the Seller. The seller's liability under this warranty shall be limited to the replacement within the aforesaid time of any defective work or material limited at the Seller's factory and shall not be liable for any labor or other repair costs made outside the Seller's factory without the written consent of the Seller. The Seller shall be liable for no other damages or losses. The warranty described in this paragraph shall be IN LIEU OF ANY OTHER WARRANTY EXPRESSED OR IMPLIED INCLUDING BUT NOT LIMITED TO ANY IMPLIED WARRANTY OF MERCHANTABILITY OR FITNESS FOR A PARTICULAR PURPOSE.