

INSTALLATION INSTRUCTIONS

Revision B1
Rapid City, SD, USA, 04/2010

Motorsaver[®]
ELECTRONIC MOTOR
CONTROL & PROTECTION

**MODELS 201-100-SLD
201-200-SLD**



II-201-SLD-B

DANGER!



HAZARDOUS VOLTAGES MAY BE PRESENT DURING INSTALLATION.

Electrical shock can cause death or serious injury.

Installation should be done by qualified personnel following all national, state and local electrical codes.



**BE SURE POWER IS DISCONNECTED PRIOR TO INSTALLATION!
FOLLOW NATIONAL, STATE AND LOCAL CODES.
READ THESE INSTRUCTIONS ENTIRELY BEFORE INSTALLATION.**

SymCom's MotorSaver[®] Model 201-XXX-SLD is a seal-leak detector used to sense seal failures on submersible pumps. It is used on 120V or 240V, 50/60 Hz motors to prevent or warn of possible motor damage due to seal leaks.

CONNECTIONS

1. Locate a convenient location in or near the motor control panel. If the location is wet or dusty, the MotorSaver[®] should be mounted in a NEMA 4 or 12 enclosure.
2. Mount an 8-pin socket to the motor control back panel (SymCom P/N OT08-PC, sold separately, is required for UL rating).
3. Connect socket terminals 2 and 7 to 120VAC for Model 201-100-SLD or 240VAC for Model 201-200-SLD (see Figure 1).
4. Connect the output relay to the circuitry to be controlled. For alarm operation, connect the common and normally closed (NC) contacts (socket terminals 1 and 4) in series with the alarm circuit as in Figure 1.
5. Connect the sensor/probe to socket terminals 5 and 6.
6. Plug the MotorSaver[®] into the socket.

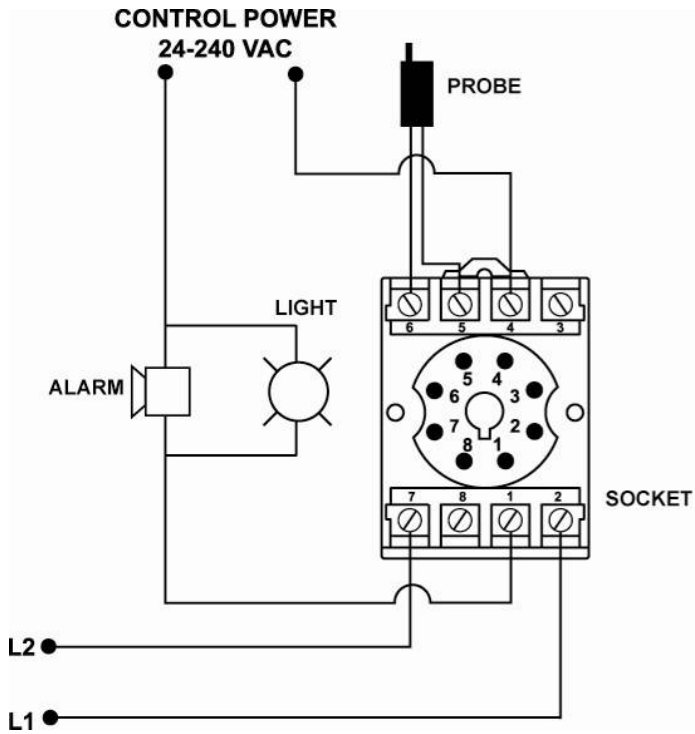


Figure 1: Typical Alarm Wiring Diagram

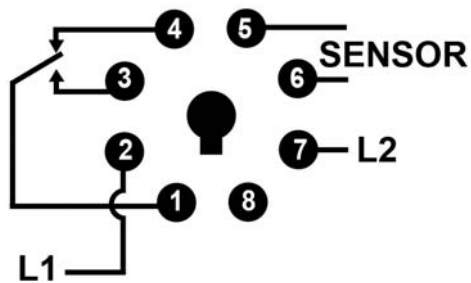


Figure 2: Pin-Out Diagram

SETTINGS

Rotate the SENSITIVITY knob to the desired minimum resistance allowed before the unit trips.

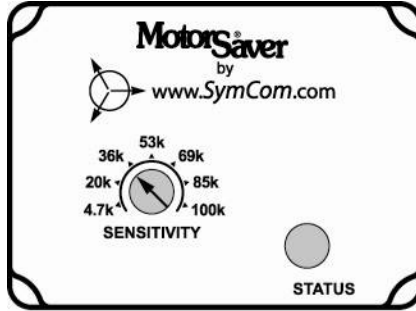


Figure 3: Top of Unit

OPERATION

Under normal conditions, the green STATUS light will illuminate and the MotorSaver[®] will energize its output contacts (normally open contact closes, and normally closed contact opens).

As water leaks past the seal, the resistance measured by the probe will decrease. When the resistance drops below the sensitivity control level, the unit will trip (normally open contact opens, and normally closed contact closes) and the red STATUS light will illuminate.

If the contacts do not energize and the green STATUS light does not illuminate, see the TROUBLESHOOTING section.

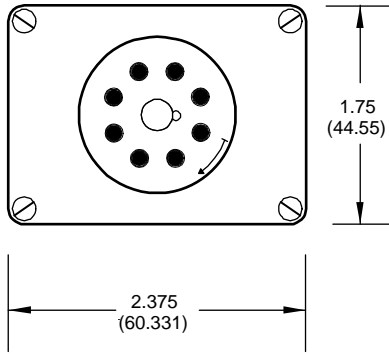
INDICATOR LIGHT	STATUS
GREEN	High resistance detected. NO contact (pin 1 and 3) is closed NC contact (pin 1 and 4) is open
RED	Low resistance detected. NO contact (pin 1 and 3) is open NC contact (pin 1 and 4) is closed

Table 1: Diagnostic Indicator Lights

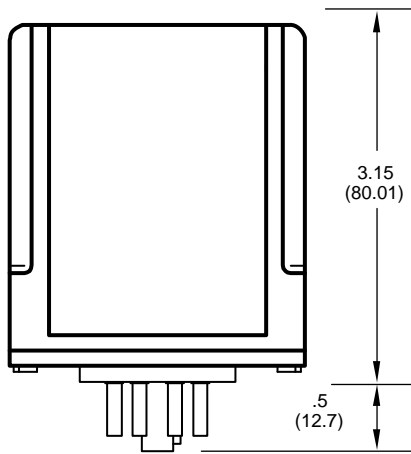
TROUBLESHOOTING

SYMPTOM	LIGHT PATTERN	SOLUTION
No lights are on - the unit seems completely dead	N/A	Measure the input voltage connected to terminals 2 & 7. If the voltage is below the specified operating voltage, the MotorSaver® does not have enough power to operate its internal electronics. If the voltages are correct, call SymCom at (800) 843-8848 or (605) 348-5580.
Red light is on steady	RED	The resistance measured by the probe is lower than the setpoint. If there is no evidence of a seal failure, call SymCom at (800) 843-8848 or (605) 348-5580.
Green light is on steady	GREEN	The resistance measured by the probe is higher than the setpoint. The MotorSaver® is functioning properly. Faulty or corroded connections may cause the resistance to measure high. Check connections periodically to ensure there are no loose wires or broken connections.

DIMENSIONS



BOTTOM



SIDE

NOTE: Use of the OT08-PC or RB08-PC octal socket, manufactured by Custom Connector Corp., is required for the MotorSaver[®] to qualify as a UL Listed device. The OT08-PC is 35mm DIN rail compatible.

MOTORSAVER® 201-100-SLD, 201-200-SLD SPECIFICATIONS

Functional Characteristics	
Sensitivity	4.7k-100kΩ
Trip Delay	2 seconds
Input Characteristics	
Line Supply Voltage	
201-100-SLD	95-120VAC
201-200-SLD	190-240VAC
Frequency	50/60Hz
Output Characteristics	
Output Contact Rating	
Pilot Duty	480VA @ 240VAC
General Purpose	10A @ 240VAC
General Characteristics	
Environmental	
Ambient Operating Temperature ¹	-40° to 70°C (-40° to 158°F)
Relative Humidity	10-95%, non-condensing per IEC 68-2-3
Maximum Input Power	5 W
Standards Passed	
Electrostatic Discharge (ESD)	IEC 61000-4-2, Level 3, 6kV contact, 8kV air
Radio Frequency Immunity, Radiated	150 MHz, 10V/m
Fast Transient Burst	IEC 61000-4-4, Level 4, 4kV input power and controls
Surge Immunity	
IEC	IEC 61000-4-5, Level 4, 4kV line-to-line; Level 4, 4kV line-to-ground
ANSI/IEEE	C62.41 Surge and Ring Wave Compliance to a level of 6kV line-to-line
Hi-Potential Test	Meets UL508 (2 x rated V +1000 V for 1 minute)
Safety Marks	
UL listed (OT08 octal socket required)	UL508 (File #E68520)
CE	IEC 60947-6-2
Dimensions	1.750" H x 2.375" W x 4.125" D (with socket)
Weight	9 oz.
Enclosure	Polycarbonate
Mounting Method	Plugs into OT08 Socket
Wire Gauge	12-22 AWG Solid or Stranded
Terminal Torque for P/N OT08 Socket	12 in. - lb

¹ The ambient air temperature is the air temperature directly surrounding the product.

For warranty information, please see **Terms and Conditions** at
www.symcom.com

*Visit us at www.symcom.com to see
our complete product listing!*

Need something special?

*Contact SymCom today
for your custom solution!
800-843-8848*