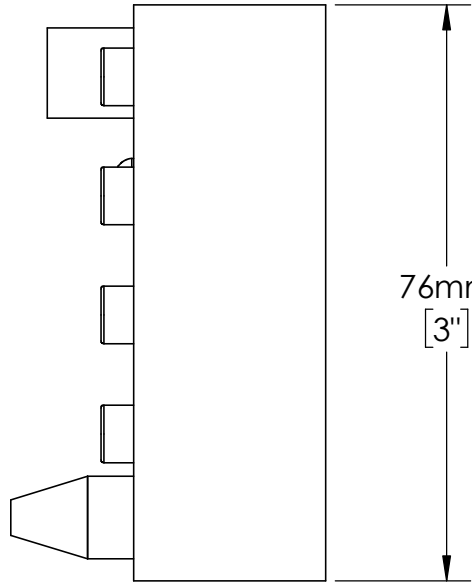


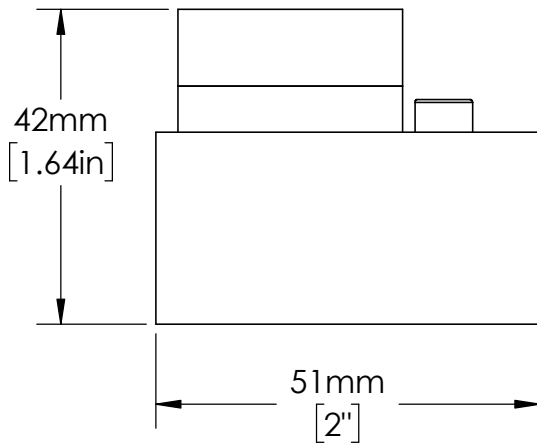
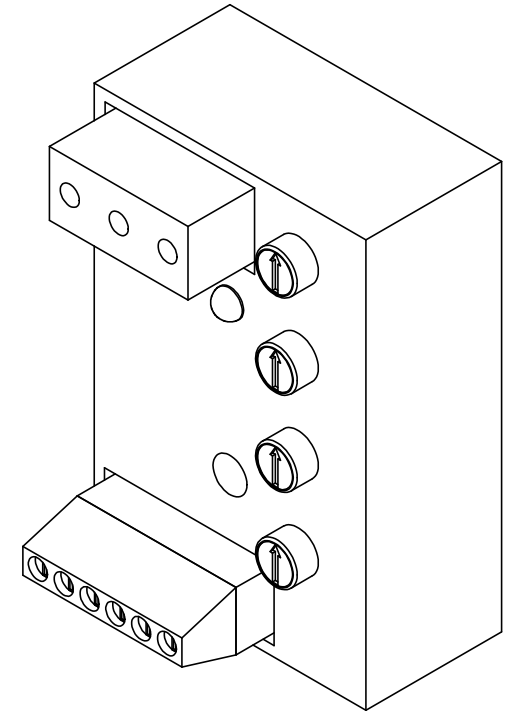
25mm  
[1"]

25mm  
[1"]

MOUNTING  
HOLE  
Ø6mm  
[.25in]



76mm  
[3"]



42mm  
[1.64in]

51mm  
[2"]

UNLESS NOTED OTHERWISE  
DIMENSIONS ARE IN INCHES  
TOLERANCES:  
TWO PLACE DECIMAL ±0.05  
NOT DRAWN TO SCALE

MATERIAL	
NAME	DATE
DRAWN BY J.MOLER 01/31/23	



DESCRIPTION: VOLTAGE MONITORING  
PROTECTION

PART NUMBER:  
HLM SERIES

REV  
A

WEIGHT:

SHEET 1 OF 1