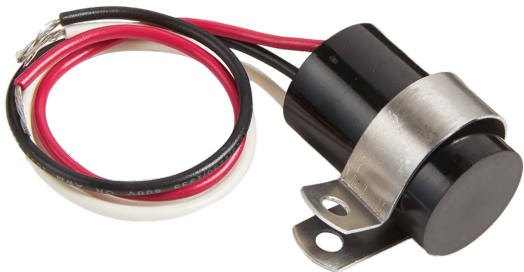
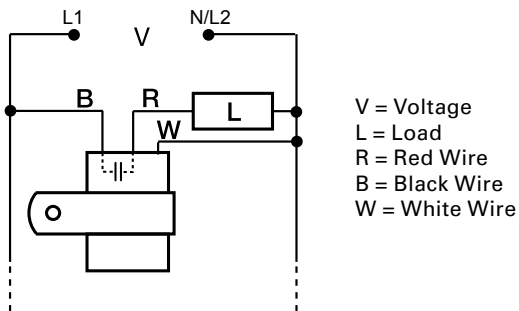


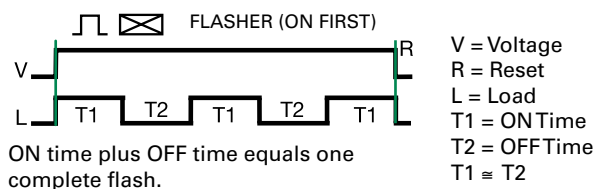
FS491



Wiring Diagram



Function Diagram



Description

The FS491 is a low leakage AC flasher designed to control LED, or resistive loads. This product offers a solid-state output and may be ordered with an input voltage of 24V to 240VAC, in two ranges. It offers a factory fixed flash rate of 75 FPM or may be ordered with a fixed, custom flash rate ranging from 45 to 150 FPM. The FS491 is the perfect solution for LED lamp flashing.

Operation

Upon application of input voltage, the output energizes and the ON time begins. At the end of the ON time, the output de-energizes and the OFF time begins. At the end of the OFF time, the output energizes and the cycle repeats as long as input voltage is applied.

Reset: Removing input voltage resets the output and the flash sequence.

Features & Benefits

| FEATURES | BENEFITS |
|--------------------------------------|--|
| Totally solid state | No moving parts to arc and wear out, up to 100 million operations under typical conditions |
| Fully encapsulated | Protects circuitry from shock, vibration and humidity |
| Extremely low leakage current | Ideal for use in LED lighting applications |

Specifications

Technical Data

| | |
|----------------------------------|--|
| Operation | ON/OFF solid-state flasher (continuous duty) |
| Flash Rate | Fixed at 75 FPM ±20% |
| Custom Flash Rates | 45 - 150 FPM ±20% |
| ON/OFF Ratio | ≈ 50% |
| Input | |
| Voltage | 24, or 120 - 240VAC |
| Tolerance | ± 15% |
| AC Line Frequency | 50/60Hz |
| Output | |
| Load Type | LED or resistive |
| Output | Bridge Rectifier & FET |
| Maximum Load Rating | |
| 120VAC to 240VAC | 0.5A steady state; 5A inrush |
| Max. Load Leakage Current | 250µA |
| Voltage Drop | 2V typical |
| Mechanical | |
| Mounting | Surface mount with one #8 (M4 x 0.7) screw |
| Dimensions | Dia. 23.9 mm (0.94"); D 38.1 mm (1.5") |
| Protection | |
| Surge | IEEE C62.41 - 1991 Level A |
| Circuitry | Encapsulated |
| Environmental | |
| Operating/Storage | |
| Temperature | -20° to 60°C / -40° to 85°C |
| Humidity | 95% relative, non-condensing |
| Weight | ≈ 1.1 oz (31 g) |