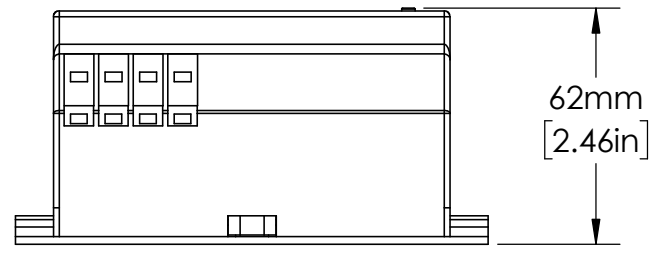
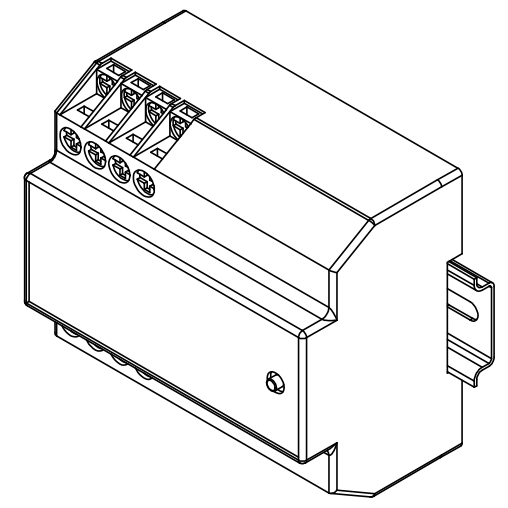
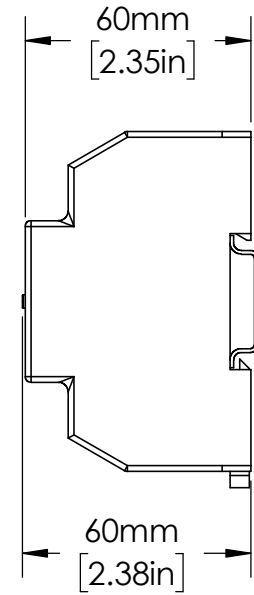


EN550022
(35.0 x 7.5)
DIN RAIL
SHOWN



UNLESS NOTED OTHERWISE
DIMENSIONS ARE IN INCHES
TOLERANCES:
TWO PLACE DECIMAL ±0.05
NOT DRAWN TO SCALE

MATERIAL	
NAME	DATE
DRAWN BY J.MOLER 02/15/23	



DESCRIPTION: ARC FLASH DETECTION	
PART NUMBER: D0920 SERIES	REV A
WEIGHT:	SHEET 1 OF 1