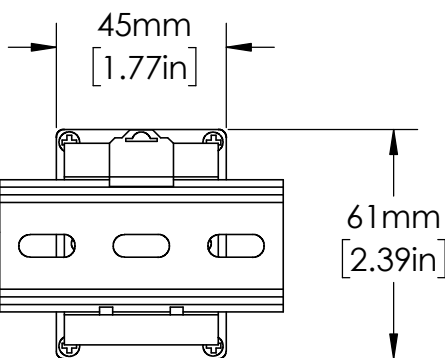


OT08PC  
RELAY SOCKET

35mm  
DIN RAIL



UNLESS NOTED OTHERWISE  
DIMENSIONS ARE IN INCHES  
TOLERANCES:  
TWO PLACE DECIMAL ±0.05  
NOT DRAWN TO SCALE

MATERIAL	
NAME	DATE
DRAWN BY J.MOLER	01/03/23



DESCRIPTION: VOLTAGE MONITORING, PUMP & LIQUID LEVEL CONTROL	
PART NUMBER: <b>ALT-XXX-3 SW SERIES</b>	REV <b>A</b>
WEIGHT:	SHEET 1 OF 1