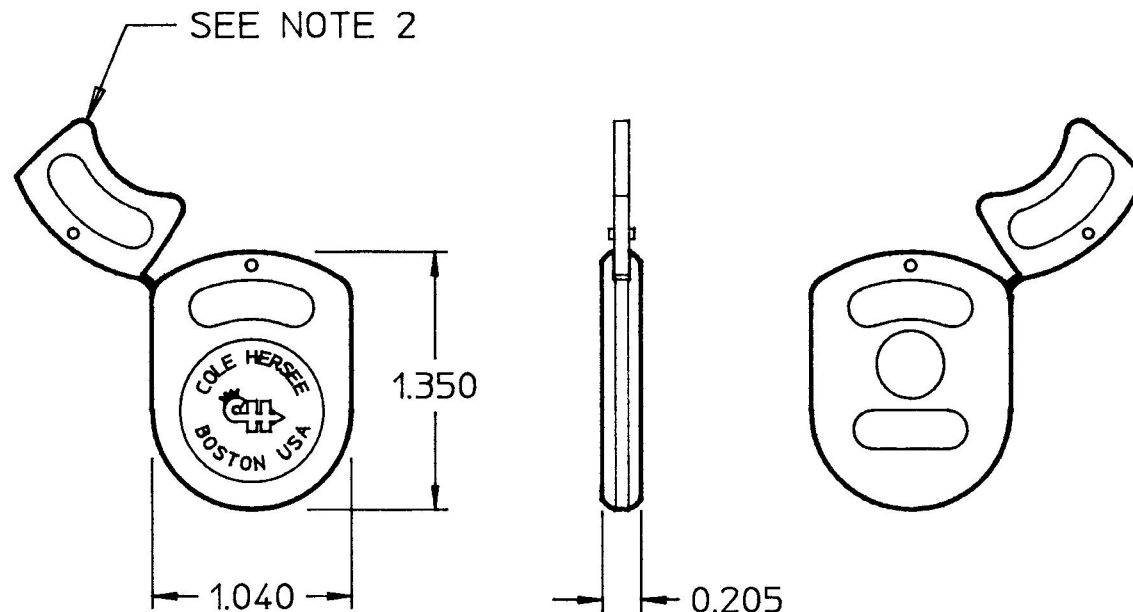


98635


CHART



98635-08	FLUORESCENT
98635-07	WHITE
98635-06	GREEN
98635-05	BLUE
98635-04	YELLOW
98635-03	RED
98635-02	BROWN
98635-01	BLACK
PART NO.	COLOR

- NOTES:
 1. MATERIAL: PLASTIC
 2. LATCH CAN BE ON EITHER SIDE OF COVER
 3. ALL DIMENSIONS ARE REFERENCE

DO NOT SCALE

LET.	WAS	DATE	BY	LET.	WAS	DATE	BY	MATERIAL	DRAWN	CHK	APVD	SCALE	DATE DRAWN
									MJT	RJF		1:1	7/21/93
								FINISH	 Cole Hersee Co. 20 OLD COLONY AVENUE, BOSTON, MA., U.S.A. 02127				DATE BLUEPRINTED
								TOLERANCES	COVER, KEY				98635
					ISSUED	7-27-93	RJF	DECIMAL ± ANGLE ±					