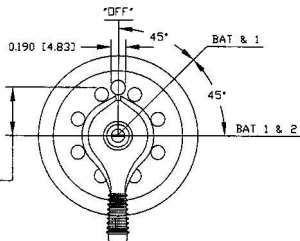
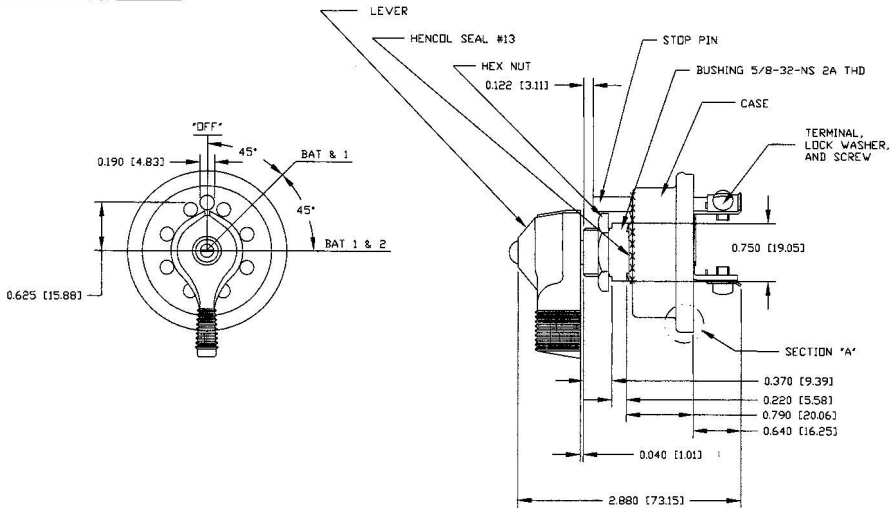


GASKET-NEOPRENE OR EQUIVALENT

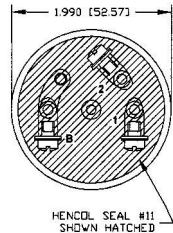


SCALE 2:1  
VIEW OF SECTION "A"



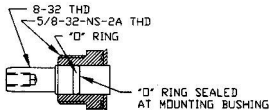
Revision Control Record

Rev.	Description of Change	ECN No.	Date
N	ADDED HENCOL SEAL	01421	7/19/01
P	BOM CHANGE	17464	5/10/17



HENCOL SEAL #11  
SHOWN HATCHED

- NOTES:
1. SOLDER LAMINATED SHOULDER RIVETS & SOLID SILVER RIVETS (3 REQ'D) ON INTERNAL CONTACT PLATE
  2. MELAMINE LINER
  3. SWITCH HAS 20 AMP CAPACITY



**Tolerances:** Unless otherwise specifically noted, the following apply:  
 • 2-place Decimal Dimension:  $\pm 0.02$   
 • 3-place Decimal Dimension:  $\pm 0.002$   
 • Angular Dimension:  $\pm 0.1$  Deg.  
 • Note: Refer to applicable English Dimensional Tolerances  
 • Note: All tolerances are Non-Committed, unless otherwise specified.

**Dimensional Note:** All dimensions are expressed in inches unless otherwise indicated in brackets (inch) are expressed in millimeters.  
 • Note: All dimensions are Non-Committed, unless otherwise specified.

Used On: \_\_\_\_\_ Date: 4/16/04  
 Drawn By: \_\_\_\_\_  
 Checked By: \_\_\_\_\_  
 Date: 4/16/04

**PROPRIETARY INFORMATION:** This Engineering Drawing, and the information contained herein, is proprietary to Cole Hersee Company and may not be disclosed, reproduced, or in any other way transmitted or communicated to any other party without the express written consent of an authorized representative of Cole Hersee Company.

**DESIGN CONTROL:** It is the responsibility of the individual using information derived from this drawing to ensure that the actual design remains in accordance with the version of the Controlled Document (Drawing) used. This is a non-negotiable condition unless otherwise specifically noted.

DO NOT SCALE: Dimensional variation may occur during printing/ reproduction.

**For Use Based Characteristics:**  
 Critical Characteristics: relating to safety and/or Regulatory Compliance  
 Significant Characteristics: relating to Process Control (IPC)

Control Characteristics relating to Form - Fit - Function as defined by Cole Hersee Company and/or the Customer.

Note that the identification of any characteristic as being "Special" does not alter the requirement that ALL specified dimensions & tolerances must be met.

**Cole Hersee Co.**  
 20 Old Colony Ave., South Boston, MA, 02127  
 P.O. Box 697-369-2100 Web: www.colehersee.com

Description: 3 POSITION ROTARY SWITCH

Drawing / Part No.: 9802  
 Current Rev.: P