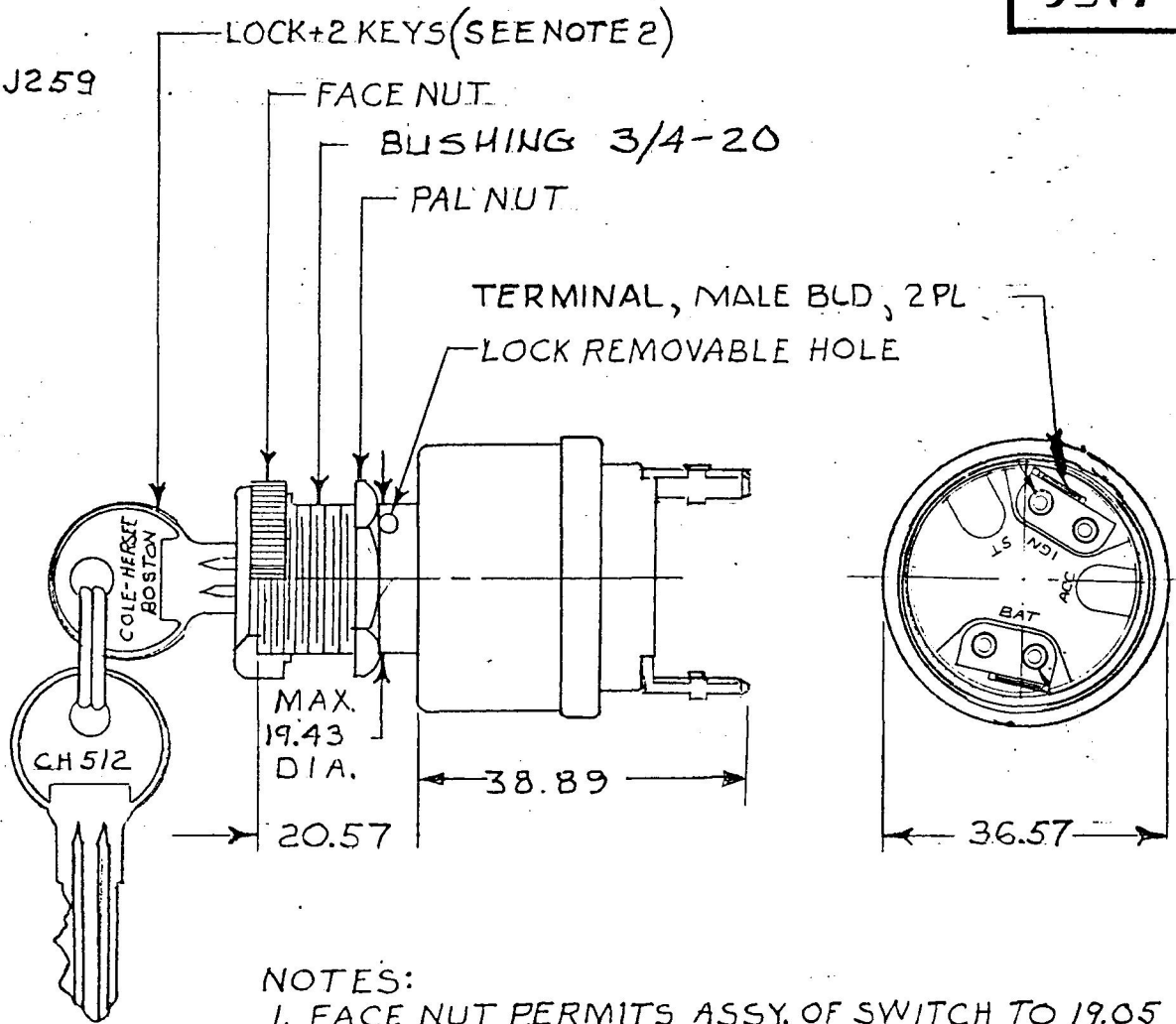
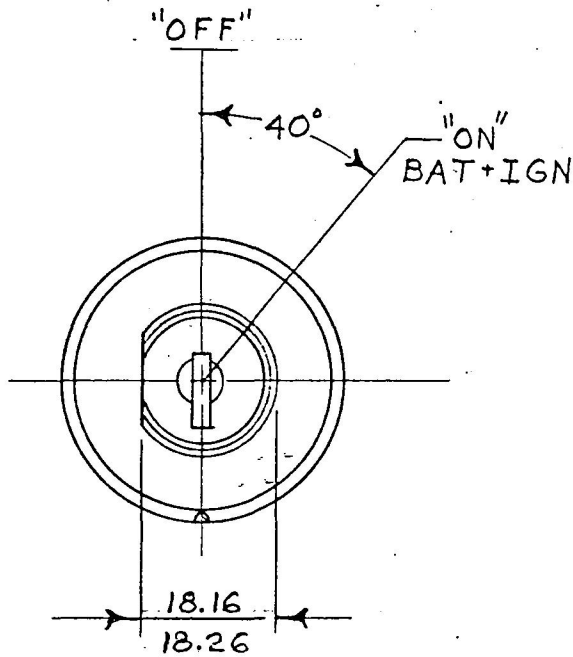


MM. INCH.
 .35 .250
 .16 .715
 .26 .719
 .43 .765
 .57 .81
 .571 .44
 3.89 1.531

9577-35

APPLICABLE SAE STANDARD OR
 RECOMMENDED PRACTICE SAE J259



10 AMPS @ 12VDC

- NOTES:
1. FACE NUT PERMITS ASSY. OF SWITCH TO 19.05 +22.22 DIA. PANEL HOLES.
 2. SINGLE KEY CODE CH 512.
 3. ALL STEEL PARTS PLATED.
 4. ALL DIM'S ARE REF. ONLY.

DO NOT SCALE

LET.	WAS	DATE	BY	LET	WAS	DATE	BY	MATERIAL	DRAWN	CHECKED	APPR'D.	SCALE	EX	DATE DRAWN
								X	DPS	AF		1:1	EX 26415	9-16-96
								FINISH						DATE BLUEPRINT
								TOLERANCES						
								DECIMAL ±						
								METRIC ±						
					ISSUED	9/19/96	AF							9577-35

CH Cole Hersee Co.
 30 OLD COLONY AVENUE, SOUTH BOSTON, MA, U.S.A. 02117

2 POSITION (OFF + IGN.)
 IGNITION SWITCH