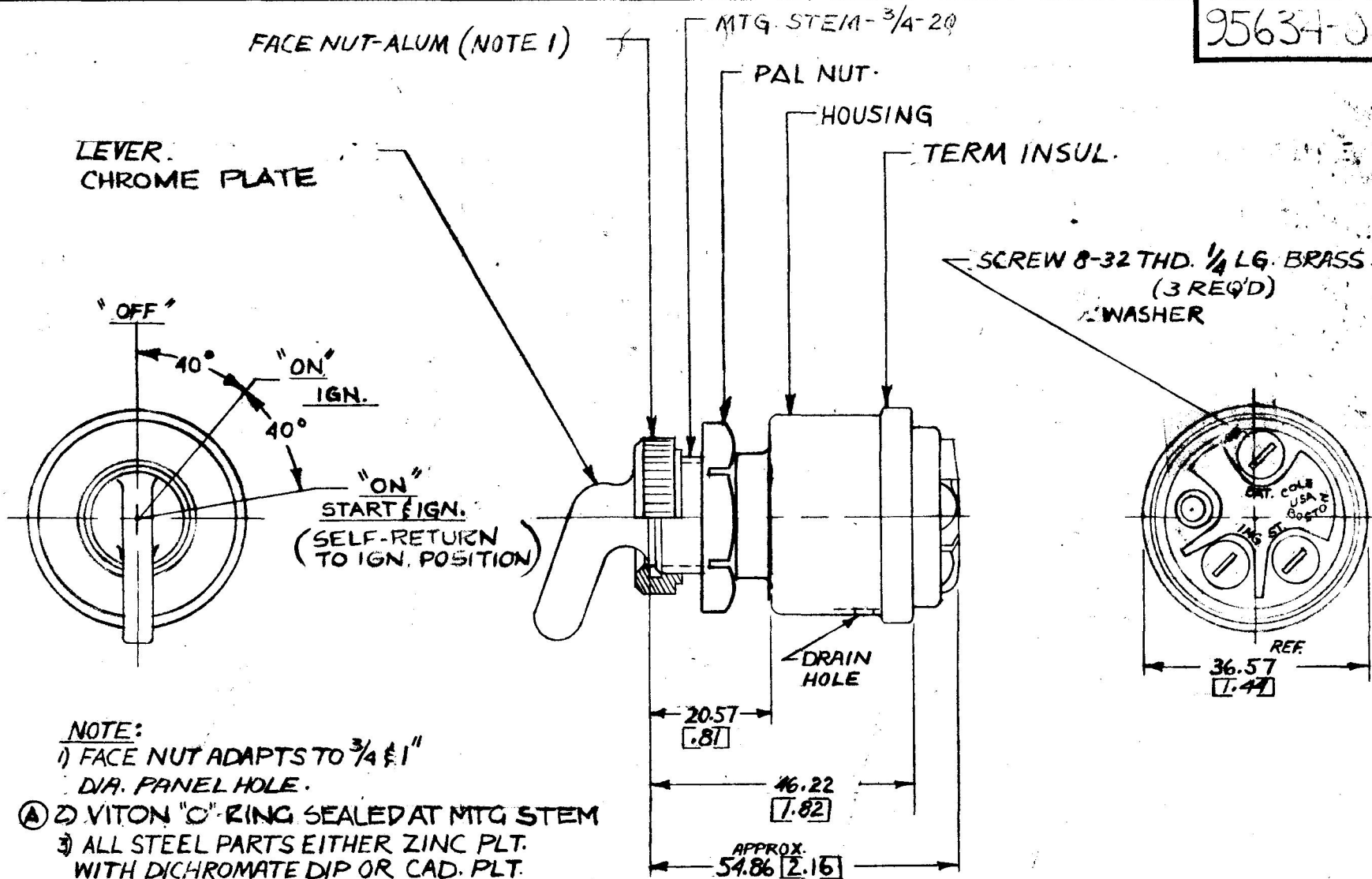


COLE-HERSEE CO.

NPM 8-19-75

EX17355

95634-01



- NOTE:**
- 1) FACE NUT ADAPTS TO 3/4 & 1" DIA. PANEL HOLE.
 - 2) VITON "O" RING SEALED AT MTG STEM
 - 3) ALL STEEL PARTS EITHER ZINC PLT. WITH DICHRMATE DIP OR CAD. PLT.

APPLICABLE SAE STANDARD OR RECOMMENDED PRATICE SAE J259

DIMENSIONS: MILLIMETERS [INCHES] DO NOT SCALE

LET	WAS	DATE	BY	LET	WAS	DATE	BY	MATERIAL	DRAWN	CHECKED	APPR'V'D.	SCALE	BASIC, EXCEPT O-RING SEAL & FLUSH TERMINALS.	DATE DRAWN
								—H—	K.G	T		1:1		8-13-75
								FINISH	COLE-HERSEE COMPANY BOSTON, MASS. 02127, U.S.A.					DATE BLUEPRINT
				B	REV. CASE ECN 22209	9-6-83	P3	—H—						
				A	MAT/19841	3-29-77	K	TOLERANCES	3 POSITION (OFF, IGN. & ST.) IGNITION SWITCH					95634-01
					ISSUED	8-25-75	Y	FRACTIONAL ± DECIMAL ±						