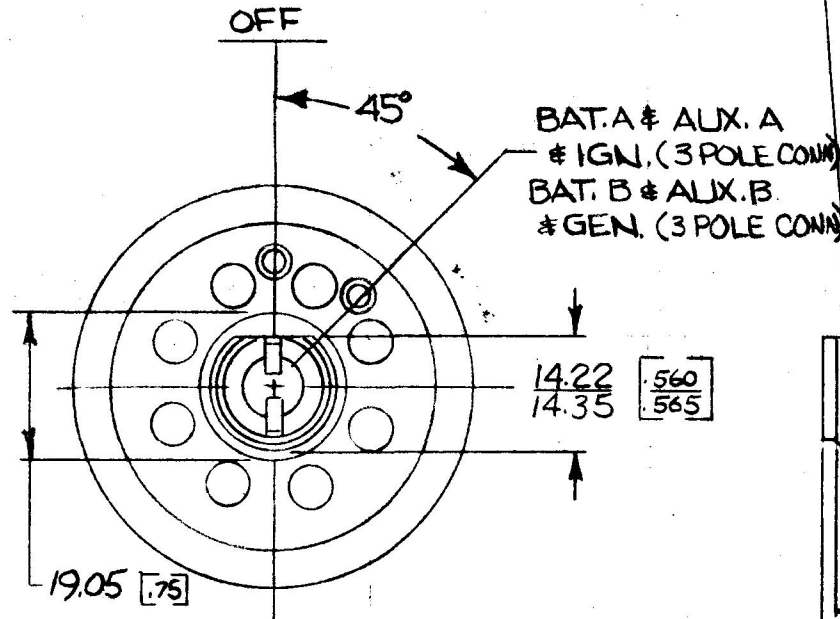
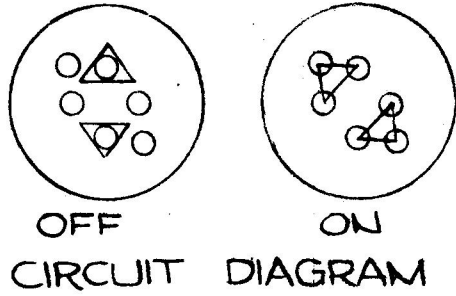


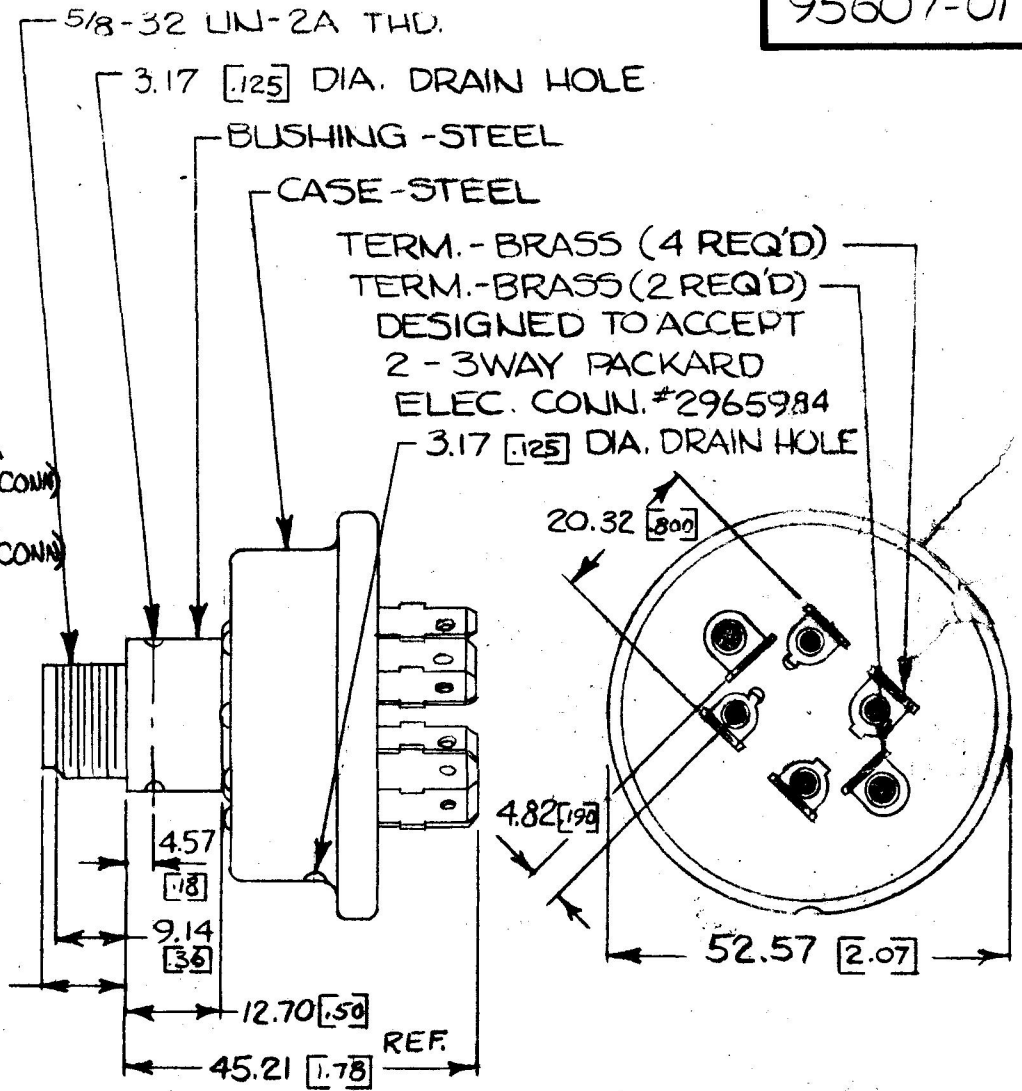
COLE-HERSEE CO. NPM 10-3-72

95607-01



NOTE: (P)
ALL EXTERIOR STEEL PARTS PLATED

APPLICABLE SAE STANDARD OR
RECOMMENDED PRACTICE SAE J259



- 1) ● DENOTES SILVER CONTACT SURFACES
- 2) O-RING SEALED AT BUSHING
- 3) TS GRADE GLASS MATTE TERM. INSUL.
- 4) MELAMINE LINER
- 5) DESIGNED TO OPERATE BY 8394 KEY DO NOT SCALE

| LET | WAS | DATE | BY | LET | WAS | DATE | BY | MATERIAL | DRAWN | CHECKED | APPR'D. | SCALE | BASIC 95607 EXCEPT WITH DRAIN HOLE | DATE DRAWN |
|-----|-----|------|----|-----|---------|----------|-----|---------------|---|---------|---------|-------|--|----------------|
| | | | | | | | | H | HA | ✓ | | 1:1 | | 6-28-71 |
| | | | | | | | | FINISH | COLE-HERSEE COMPANY BOSTON, MASS. 02127, U.S.A. | | | | | DATE BLUEPRINT |
| | | | | | | | | | | | | | | |
| | | | | F | 25234 | 11/5/72 | TJH | TOLERANCES | AUXILIARY & IGNITION SWITCH | | | | | 95607-01 |
| | | | | E | REDRAWN | 12-27-75 | ua | FRACTIONAL ± | | | | | | |
| | | | | | | | | DECIMAL ±.010 | | | | | | |

SPAULDING CO., INC. 21-56481