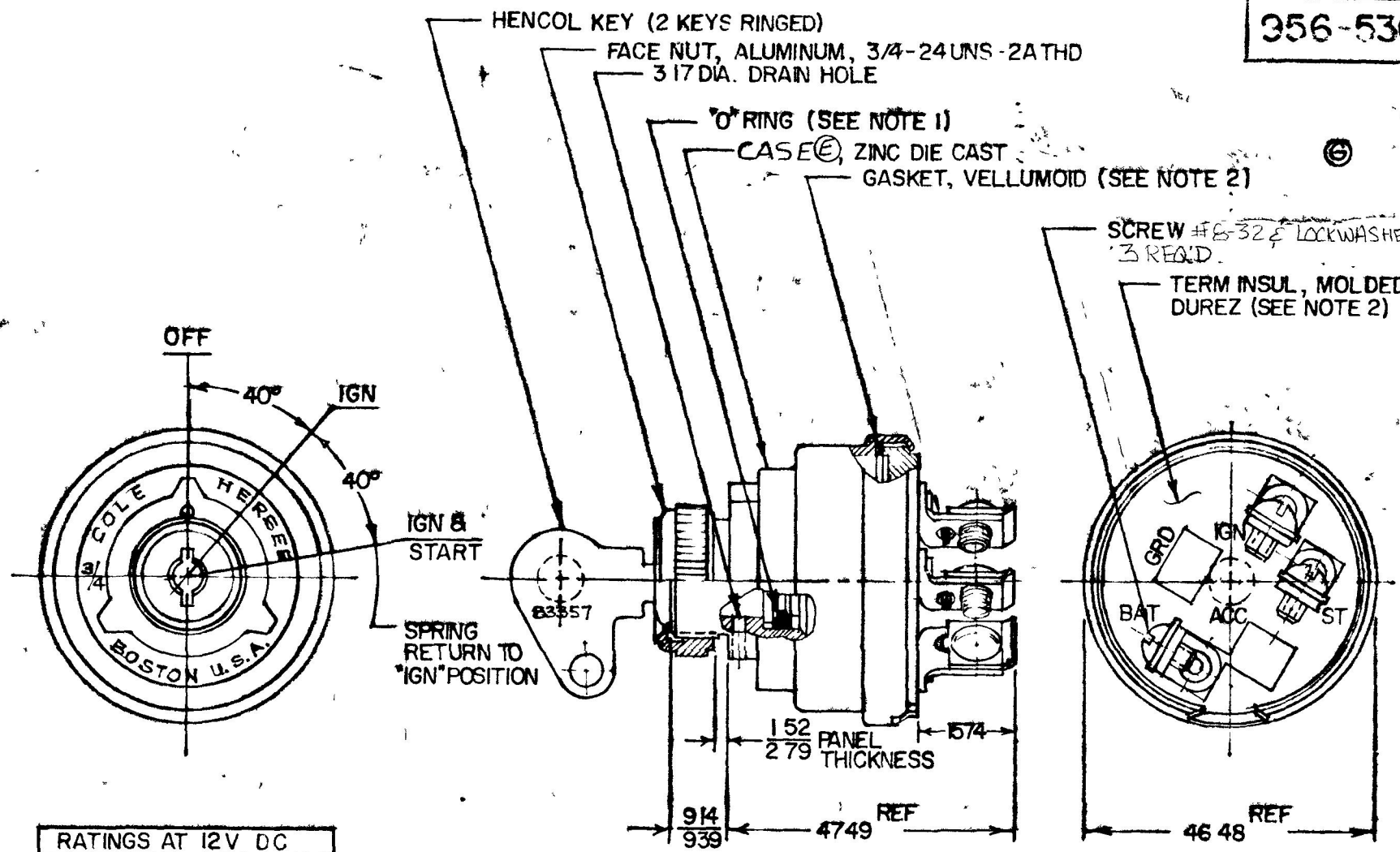


MM	IN
0.010	.010
0.020	.020
0.030	.030
0.040	.040
0.050	.050
0.060	.060
0.070	.070
0.080	.080
0.090	.090
0.100	.100
0.125	.125

356-5307



RATINGS AT 12V DC	
IGN CIRCUIT	10 AMPS
START	5

- NOTE
1. SHAFT O-RING SEALED TO CASE
 2. TERM INSUL GASKET SEALED
 3. ALL STEEL PARTS PLATED 11T W/DIC-IRON, FL DIP OR CAL 17
 4. APPLICABLE SAE STANDARD OR RECOMMENDED PRACTICE SAE J259

METRIC

DO NOT SCALE

LET	WAS	DATE	BY	LET	WAS	DATE	BY	MATERIAL	DRAWN	CHECKED	APPRV D	SCALE	DATE DRAWN
								—	CF	11-20-78		1:1	1-10-66
				G	LEN # 60139	3/1/00	KF	FINISH	 Cole Hersee Co. <small>WORLD COLONY AVENUE SOUTH BOSTON MA U.S.A. 02127</small>				DATE BLUEPRINT
				F	CADU 725239	12/18/92	TH	—					
				E	HOUSING	8-17-82	PS	TOLERANCES	3 POS IGNITION & START SW 956-5307				
				D	REDRAWN	11-8-78	RR	FRACTIONAL ±					
								DECIMAL ±.25					

CH-188 (4-78)