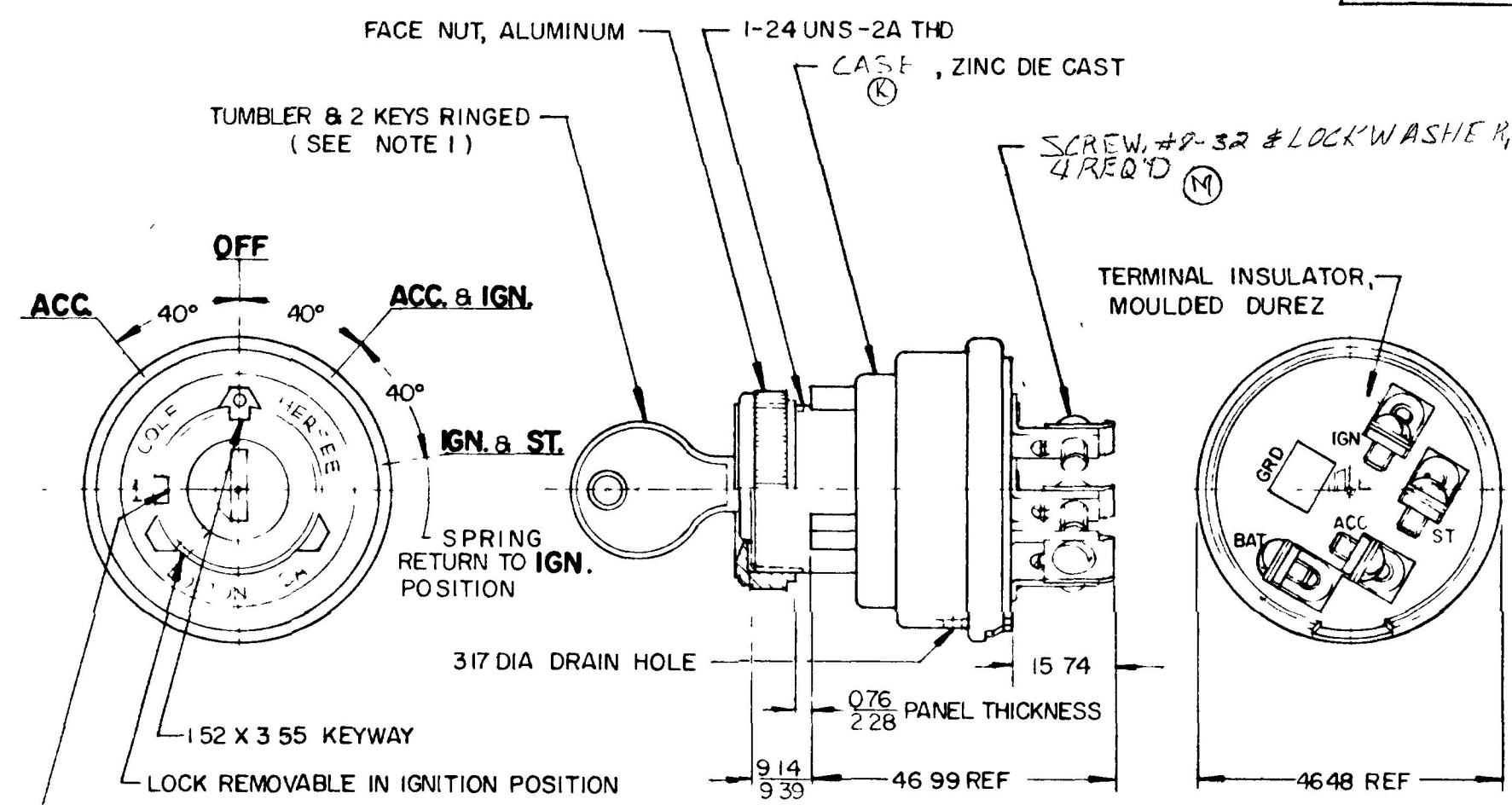


MM IN
 0.76 0.1
 1.52 0.2
 2.28 0.3
 3.17 0.4
 3.55 0.4
 4.82 0.5
 9.14 0.8
 9.39 0.8
 15.74 1.0
 46.48 1.8
 46.99 1.85

APPLICABLE SAE STANDARD OR RECOMMENDED PRACTICE SAE J259

956-4104

EX-14258



NOTES:
 1 SHUTTER TYPE SEAL ON LOCK FACE
 2 ALL STEEL PARTS PLATED

RATINGS AT 12 VDC	
ACC CIRCUIT	10 AMPS
IGN CIRCUIT	10 AMPS
ST CIRCUIT	5 AMPS

METRIC

DO NOT SCALE

LET	WAS	DATE	BY	LET	WAS	DATE	BY	ATERIAL	DRAWN	HEIGHTER D	SCALE	DATE DRAWN
								—#—	MF	1-26-79	1:1	3-15-66
				M	ECN 00137	3/1/00	MA	FIN CH				DATE BLUEPRINT
				L	CADOK ZINC 125234	12/22/90	JH					
				K	HOUSING	8/15/81	RS	TOLERANCES FRACTIONAL ± DECIMAL ± 25				
				J	REDRAWN	1/18/79	J					

CH Cole Hersee Co.
 4 - POSITION
IGNITION & START SWITCH
956-4104