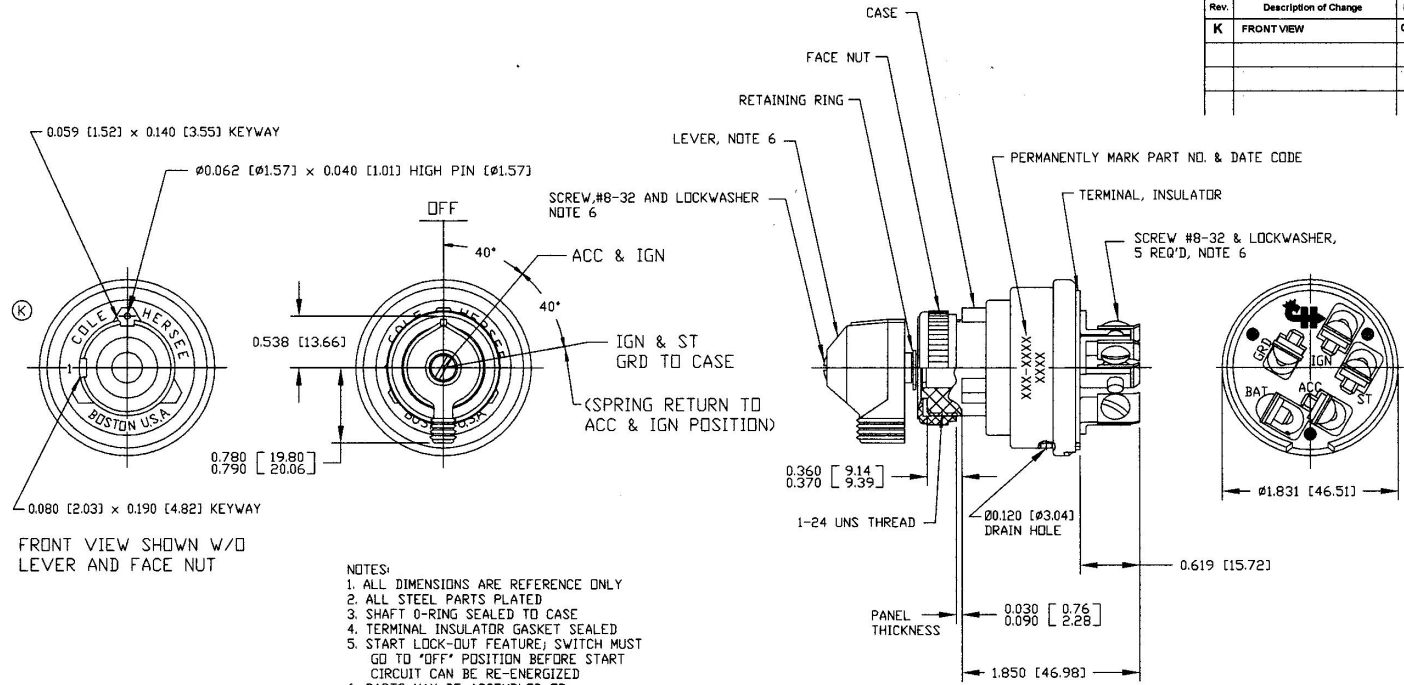


Revision Control Record

Rev.	Description of Change	ECN No.	Date
K	FRONT VIEW	03619	11/24/03



FRONT VIEW SHOWN W/O LEVER AND FACE NUT

- NOTES:
1. ALL DIMENSIONS ARE REFERENCE ONLY
  2. ALL STEEL PARTS PLATED
  3. SHAFT O-RING SEALED TO CASE
  4. TERMINAL INSULATOR GASKET SEALED
  5. START LOCK-OUT FEATURE; SWITCH MUST GO TO "OFF" POSITION BEFORE START CIRCUIT CAN BE RE-ENERGIZED
  6. PARTS MAY BE ASSEMBLED OR SUPPLIED IN A PLASTIC BAG
  7. APPLICABLE SAE STANDARD OR RECOMMENDED PRACTICE SAE J259

ST CIRCUIT	5 AMPS
IGN CIRCUIT	10 AMPS
ACC CIRCUIT	10 AMPS
RATING AT 12 VDC	

**Intolerance:** Unless otherwise specifically noted, the following are default tolerances:  
 • Duplex Decimal Dimensions  $\pm .01$ "  
 • Duplex Dimensional Dimensions  $\pm .015$ "  
 • Angular Dimensions  $\pm 1.0$  Deg.  
 • Metric: Refer to equivalent English Dimension Tolerance  
 \*\*\* NOTE: All tolerances are Non-Convulsive. \*\*\*

**Dimensional Limits:** All dimensions are expressed in inches except those shown in brackets (mm) are expressed in millimeters.

**MSP: or as Available, C, = Non-Tolerance Reference Dimension, shown for identification purposes only.**

Used On: **EX26018** Scale: **1:1**

**PROPRIETARY INFORMATION:** This Engineering Drawing, and the information contained herein, is property of Cole Hersee Company and may not be disclosed, reproduced, or in any other way transmitted or communicated to any other party without the express written consent of an authorized representative of Cole Hersee Company.

**DESIGN CONTROL:** It is the responsibility of the individual using/referencing this drawing to ensure that the noted design revision level agrees with the revision level of the Control Document (Master Drawing). This is a NON-CONTROLLED DOCUMENT unless otherwise specifically noted.

**DO NOT SCALE:** Dimensional variation may occur during printing/reproduction.

Drawn By: **KPC** Date: **4/17/06**

**Basic Characteristics:**

- ⊕ Critical Characteristics relating to Safety and/or Regulatory Compliance
- ⊗ Significant Characteristics relating to Process Control (SPC)
- ⓧ Control Dimension relating to Form - Fit - Function as defined by Cole Hersee Company and/or the Customer.

(Note that the identification of any Characteristics as being "Special" does not alter the requirement that ALL specified dimensions & tolerances must be met.)

Responsible Engineer: **Pg. 1 of 1**

**Cole Hersee Co.**  
 30 Old Colony Ave., South Boston, MA, 02127  
 Phone: 617-268-2100 Web: www.colehersee.com

Description: **SW, IGN & START, 3 POS**

Drawing / Part No.: **956-3124**

Current Rev.: **K**