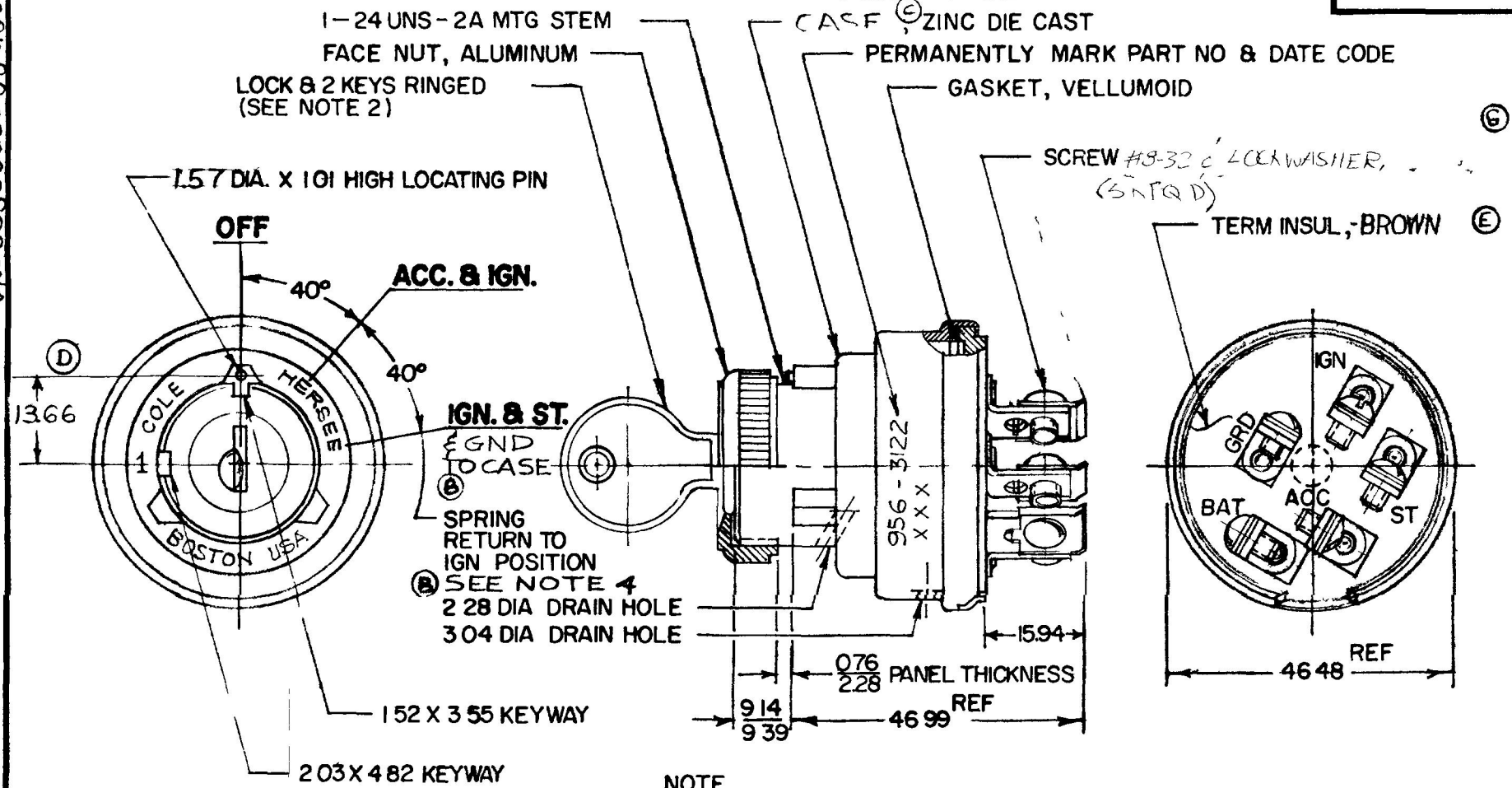


MM	IN
.25	.010
.76	.030
1.01	.040
1.52	.060
1.65	.065
2.03	.080
2.28	.090
3.04	.120
3.55	.140
4.82	.190
9.14	.360
9.39	.370
15.74	.620
16.00	.630
46.48	1.830
46.99	1.850
1.57	.062
13.66	.538

NFM 3-4-76
EX-16393C

APPLICABLE SAE STANDARD OR RECOMMENDED PRACTICE SAE J259

956-3122



- NOTE**
1. TERM INSUL GASKET SEALED
 2. SHUTTER TYPE SEAL ON LOCK FACE
 3. O-RING SEAL AT MTG STEM
 4. START LOCK-OUT FEATURE, SWITCH MUST GO TO "OFF" POSITION BEFORE START CIRCUIT CAN BE RE-ENERGIZED
 5. ALL STEEL PARTS PLATED

METRIC

DO NOT SCALE

LET	WAS	DATE	BY	LET	WAS	DATE	BY	MATERIAL	DRAWN	CHECKED	APPR'D	SCALE	DATE DRAWN
				E	ECN 25189	8/13/92	TJH	— # —	EA	4-2-79		1:1	1-6-76
				D	1574/22457	6-5-84	AK	FINISH					DATE BLUEPRINT
				C	HOUSING	2-17-88	DB	— # —					
G	2.03 X 4.82 KEYWAY	12/22/92	AK	B	NOTE ADDED 21267	12-22-80	DB	TOLERANCES					
F	CAD ON ZINC / 25239	12/22/92	AK	A	REDRAWN	3-22-79	FR	DECIMAL ± METRIC ± .25					

CH Cole Hersee Co.
20 OLD COO ONLY A ENUE SOUT BOSTON M. US 27

**3- POSITION
IGNITION & START SWITCH** **956-3122**