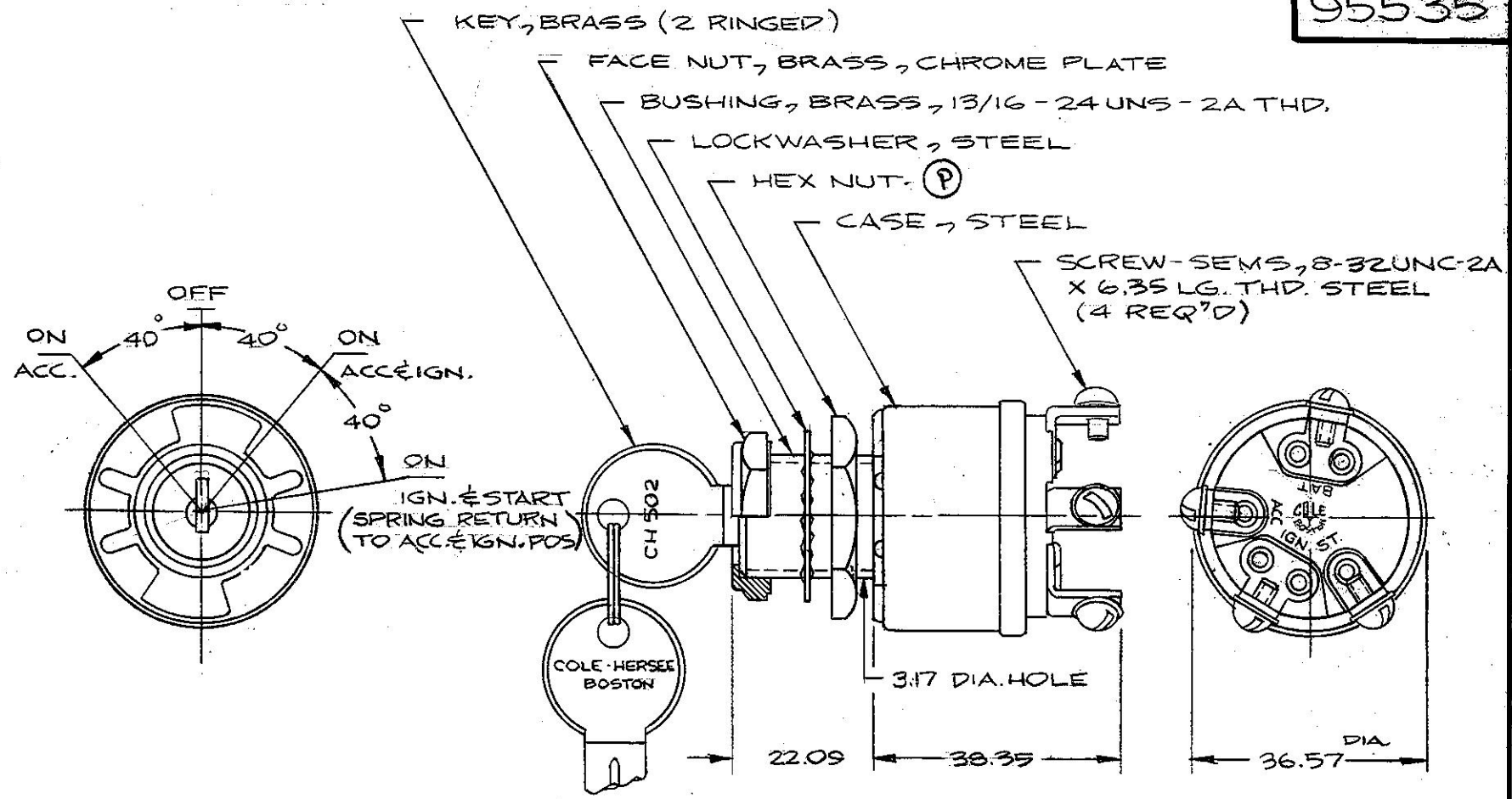


MM.	IN.
0.25	.010
3.17	.125
6.35	.250
22.09	870
36.57	1.440
38.35	1.510

95535



METRIC

CURRENT RATING @ 12VDC	
ACC. CIRCUIT	10 AMPS
IGN. CIRCUIT	5 AMPS
ST. CIRCUIT	5 AMPS

Confidential Property of Cole Hersee

- NOTE:
1. APPLICABLE SAE STANDARD OR RECOMMENDED PRACTICE SAE J259.
  2. ALL STEEL PARTS PLATED

DO NOT SCALE

LET.	WAS	DATE	BY	LET.	WAS	DATE	BY	MATERIAL	DRAWN	CHECKED	APPR'VD.	SCALE	DATE DRAWN
								#	PH-	52378		1:1	1-29-63
								FINISH					DATE BLUEPRINT
				P	ECN #06023	2-2-06	SG						
				N	CAD OR ZINC 125234	11/17/92	GH	TOLERANCES					
				M	REDRAWN	5-10-79	JK	DECIMAL ±0.10 METRIC ±0.25					
<p>20 OLD COLONY AVENUE, SOUTH BOSTON, MA, U.S.A. 02127</p>													
<p>4 POSITION IGN &amp; START SWITCH</p>												95535	