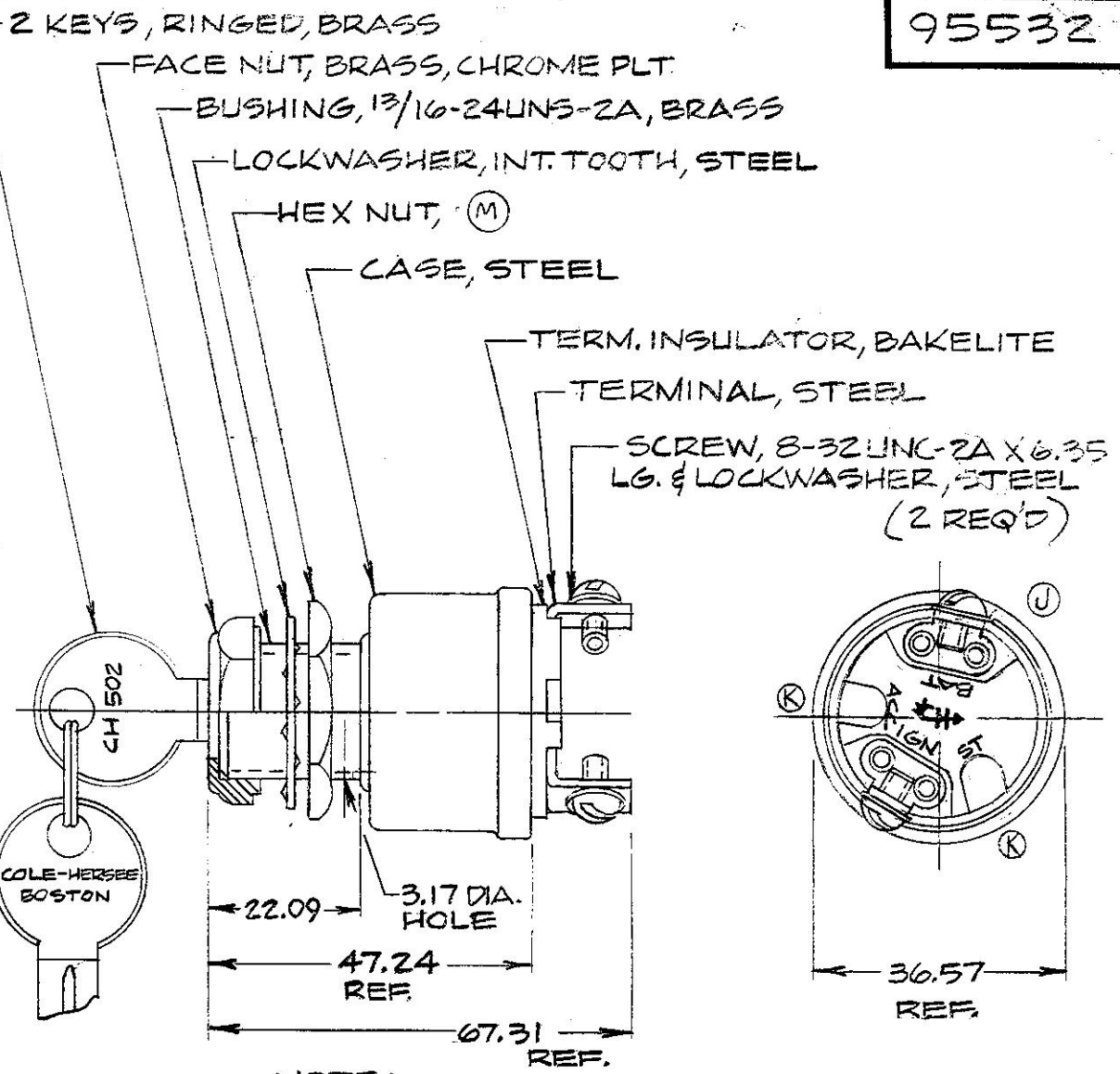
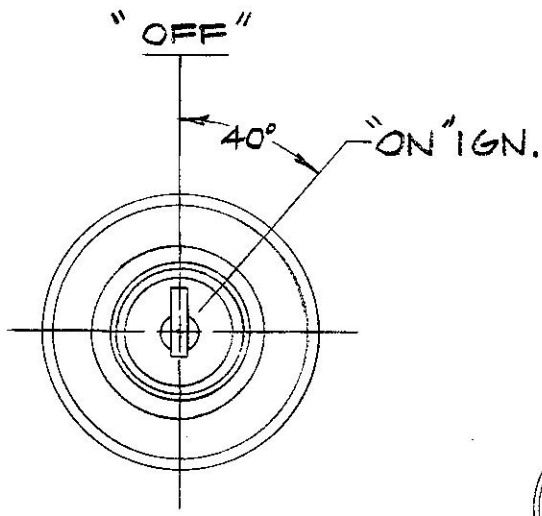


95532

MM	IN.
125	.010
3.17	.125
6.35	.250
22.09	.870
47.24	1.860
67.31	2.650

APPLICABLE SAE STANDARD OR RECOMMENDED PRACTICE SAE J259

COLE-HERSEE CO.



Confidential Property of Cole Hersee

METRIC

NOTE:  
 (L) ALL STEEL PARTS PLATED

DO NOT SCALE

LET	WAS	DATE	BY	LET	WAS	DATE	BY	MATERIAL	DRAWN	CHECKED	APPR'VD.	SCALE	DATE DRAWN
				M	ECN 06023	2/2/66	S/G	— # —	PH	TY		1:1	12-11-61
				L	CAD OR ZINC 125234	11/17/92	J.H.	FINISH	COLE-HERSEE COMPANY BOSTON, MASS. 02127, U.S.A.				DATE BLUEPRINT
				K	ECN 2339A	2-2-87	L/B	— # —					
				W	19872	3-8-77		TOLERANCES	2 POSITION IGNITION SW.				95532
				H		5-6-77	FRACTIONAL ±						
								DECIMAL ±					