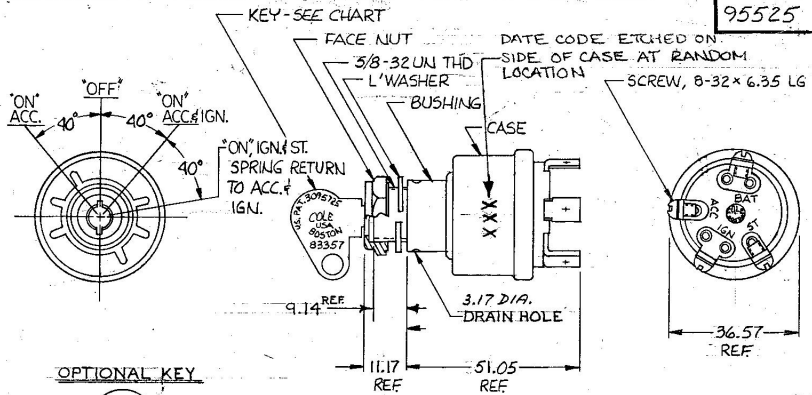
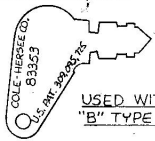


95525

MM IN  
 6.35 250  
 9.14 360  
 11.17 440  
 36.57 1440  
 51.05 2010



OPTIONAL KEY



USED WITH  
 "B" TYPE SWITCH

METRIC

NOTES:

1. APPLICABLE SAE STANDARD OR RECOMMENDED PRACTICE SAE J259
2. "A" TYPE SWITCH SHOWN.
3. "O" RING SEAL AT BUSHING.
4. ALL STEEL PARTS PLATED.

95525B	83353 2 KEYS RINGED
95525A	83357 2 KEYS RINGED
95525 BASIC	—
SWITCH NO.	KEY PART NO.

Confidential Property of Cole Hersee

DO NOT SCALE

LET	WAS	DATE	BY	LET	WAS	DATE	BY	MATERIAL	DRAWN	CHECKED	APPRVD.	SCALE	DATE DRAWN
								—	SB	SK		1:1	12-26-62
								FINISH					DATE BLUEPRINT
								—					
				K	01535 REDRAWN	9/10/61	SM	TOLERANCES	 SWITCH, IGNITION & START, 4 POS.				95525
			J		7-16-64	LB	DECIMAL ± METRIC ±						

TSE-1004