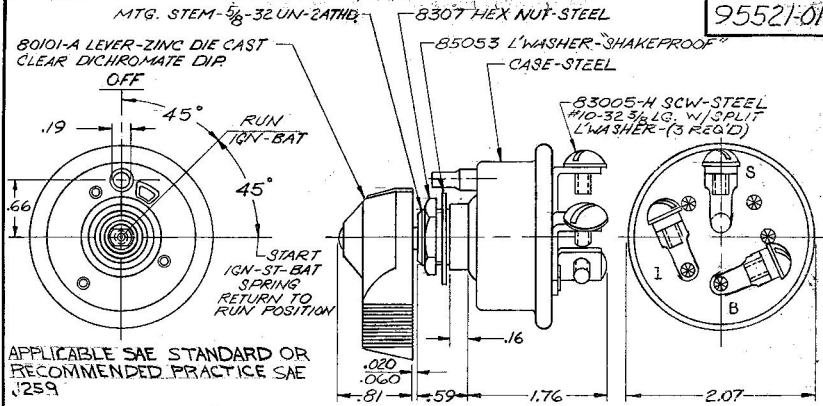


EX15049

95521-01



APPLICABLE SAE STANDARD OR RECOMMENDED PRACTICE SAE 1259

LEGEND	
I	IGNITION
B	BATTERY
S	START

NOTES:

1. SILVER LAMINATED CONTACT SURFACES AT START POSITION.
2. DESIGNED FOR MAX. OF 70 AMP AT START CIRCUIT (MAY PERMIT ELIMINATION OF SOLENOID.)
3. O'RING SEALED AT MTG. STEM.
4. ALL STEEL PARTS PLATED

Ⓢ \* 70 AMPS @ 12VDC  
(\* COMBINED LOAD)

Confidential Property of Cole Hersee

DO NOT SCALE

LET	WAS	DATE	BY	LET	WAS	DATE	BY	MATERIAL	DRAWN	CHECKED	APPROVD	SCALE	95521 EXCEPT W/ LEVER, RUN & SHOWER BUSHING. Ⓢ	DATE DRAWN
				K	25234	1/20/12			CF	LPG		FULL		10-2-68
				J	SAE SPEC	3-17-67		FINISH	<b>COLE-HERSEE COMPANY</b> BOSTON, MASS. 02127, U.S.A. <b>WEATHERPROOF IGN. HEAVY DUTY SWITCH</b>					DATE BLUEPRINT
				H	ADDED 10033	3-28-73	CT							
				G	DRATING DATA ADDED	2-22-77	N	TOLERANCES FRACTIONAL ± DECIMAL ±.01	<b>95521-01</b>					
L	ECW 01041	1-17-01		F	REDRAWN NO CHANGE	8-22-72	CT							